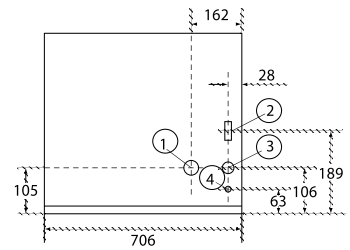
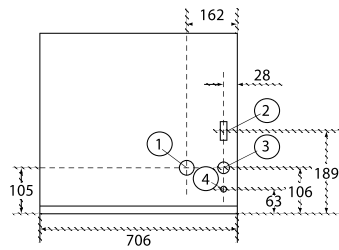
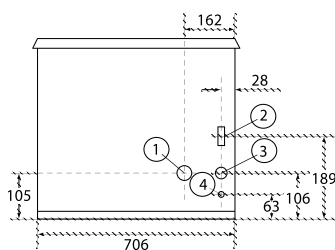
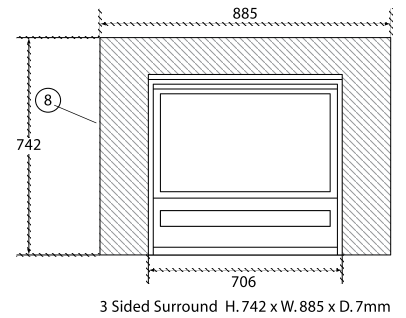
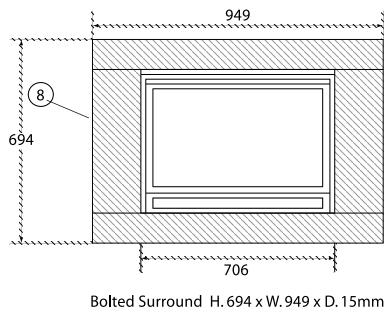
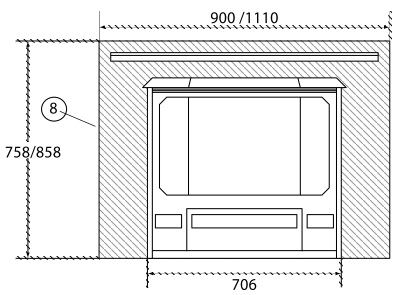
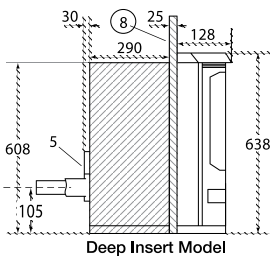
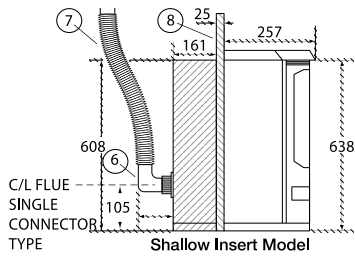
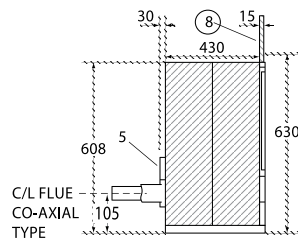
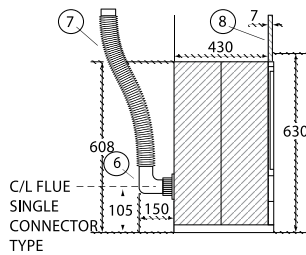


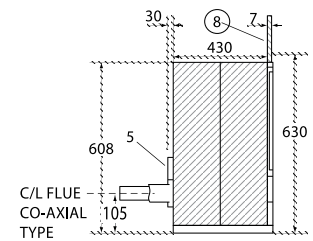
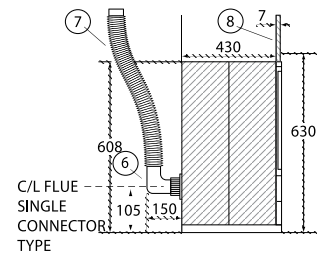
Insert - Shallow & Deep



Bolted Surround



Flat Front 3 Sided Surround



SPECIFICATION KEYS:

- ① Flue Outlet Co-axial (outside 65mm, inside 40mm) single flue 40mm Ø. Flexible Flue 40mm Ø.
- ② Air Inlet
- ③ Electric Cord
- ④ 1/2" BSP Connection (inside)
- ⑥ 90°/40mm PVC Elbow
- ⑦ Flexible PVC Pipe
- ⑧ Heater Surround (see page 25 for options)
- ⑨ Flue Locating Ring 6" (150mm).