

Archer



Gas Log Fire



IS 1500 Insert - Charcoal - Picture Frame Surround

**THE WORLD'S MOST EFFICIENT
GAS LOG SPACE HEATERS WITH
THE HIGHEST ENERGY STAR RATING!**

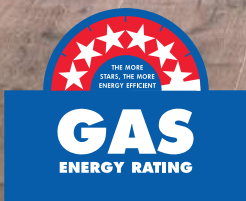


ARCHER LINEAR SERIES

The new Archer Linear Series Model IS 1500 & IS 1200 also incorporates all the unique Archer features such as P.V.C. Fluing, Zero Clearance installation and automatic Humidification, which are all a direct Benefit derived from Archer's revolutionary Heat-exchange system, which delivers High Efficiency (5.4 to 5.9 Energy Stars) and High Heat output.

The new Linear Series has all the Hallmarks of a traditional Archer Gas Log Fire with a superb modern Linear Look. (Beauty - Efficiency - Heat)

Featuring 5 variable Flame and Heat settings controlled by remote control with automatic variable Speed Fan. Also incorporated are reflective enameled Liners fitted inside the Firebox to create a 3 dimensional reflection of the Fire giving it a visually striking appearance.



IS 1200 Insert - Charcoal
Picture Frame Surround

Introducing the most efficient gas log space heater on the market

Please read this brochure carefully and discover why Archer Gas Log Space Heaters are superior to other gas log space heaters on the market today. Also notice the beautiful design that will add style and value to your home.

The Archer heater range with its 5.4 to 5.9 energy star rating is today the world leader in modern day gas heating technology. Its classic beautiful styling and the natural look of a gas log fire will complement any home decor.

The Archer Heater has achieved the ultimate in efficiency and high heat output to give you the most superior product available on the market today to heat your home. All Models are available for natural gas and LPG installations.

Energy Star Rating...

Energy Star Rating represents an industry wide independent Rating that indicates how efficiently a heater operates.

The more Energy Stars, the greater the efficiency. The Archer Gas Log Space Heater range with its 5.4 - 5.9 Energy Star Rating, is the highest Star rated product available in the world today.

With its high Energy Star Rating and heating transfer efficiency, the Archer Gas Log Space heater range has the capacity to heat areas 18 squares (180m²) to 25 squares (250m²)* No other Gas Log Space Heater range on the market today can match this claim.

Read the facts and discover why the Archer range has created a revolution in modern, efficient, cost saving in home space heating.

*NOTE: Heating capacity may vary depending on heater model selection, climate, home design, heater location, ceiling height and insulation etc.

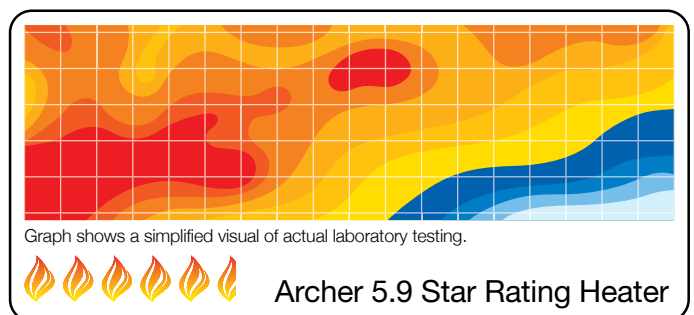
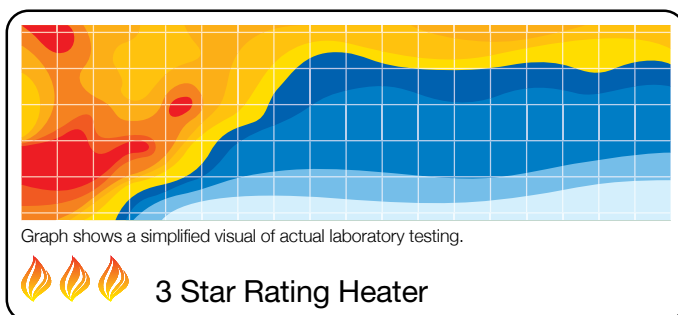


Heater Comparison

The Mj input of a heater should not be used for comparing the products heat output and heating capacity. The Kw heat output and efficient heat transfer is the only true method of product comparison.

Example:

A 30 Mj heater with a 5.9 Energy Star rating has a larger heat output than a 30 Mj 3 star energy rated heater.





IS 1500 Insert - Charcoal - Bolted Surround

Revolutionary Patented Triple Heat Exchanger

International Patent No PCT/AU2007/0011459

The secret of the Archer revolutionary 5.4 - 5.9 energy star performance is the patented triple heat exchanger that puts more heat into your home and money in your pocket instead of up the Flue. The Archer Gas Log Space Heater has shattered the boundaries of acceptable product design.

The basis of the incredible leap in high heat output and high efficiency achieved by the Archer Gas Log Fire is the revolutionary heat exchange system which extracts 92% + heat from the incoming gas which is directly transferred into your home.

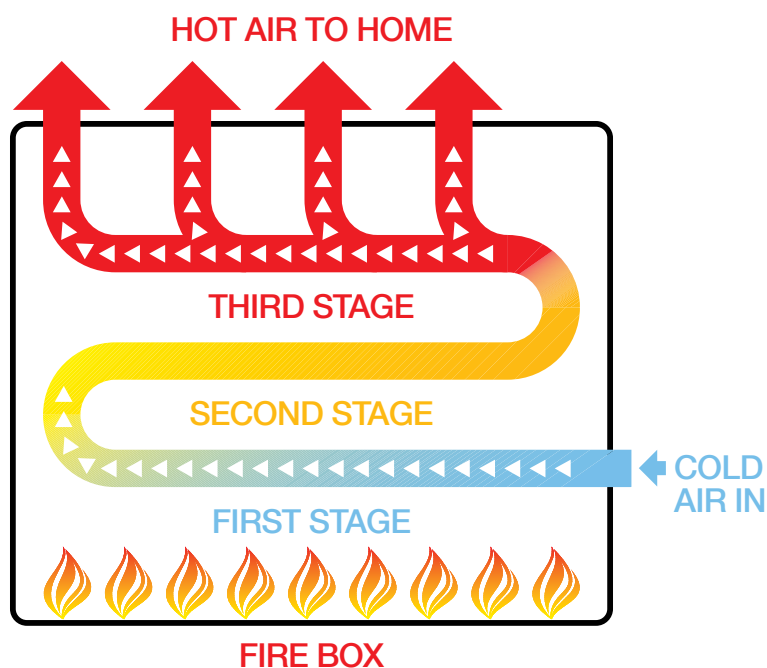
The Archer Gas Log Fire does not only feature a burning system that looks realistic, but also incorporates a combustion process which delivers high efficiency and high heat output.

(Beauty - Efficiency - Heat)

After engaging in an extensive research and development program of many years, Aurora have developed an innovative high efficiency heat exchange system which has amazed the industry and has achieved the highest appraisal from independent heating authorities for its innovative design and efficiency.

The Archer's high efficiency 3 stage high performance heat exchange system, allows for the heat of the incoming combustible gases to be squeezed to 55°C before they enter the flue resulting in total combustion, to ensure that every megajoule of gas input energy available is put to work for heating the home.

This type of process of achieving high performance heat output has to date not been achieved by any other similar appliance, but with an Archer heater it is reality and you get the benefit.



Doing our share
for the environment
with 92%
combustion
efficiency...

Any advance in reduction of greenhouse gases is a small step forward to preserve the environment and the standard of living for future generations.

We are committed to reduce pollution (greenhouse gases) Aurora has ensured that one of the major beneficiaries will be the environment.

The Archer heater range not only extracts 92% of the heat from the gas, it also spreads it better through your home.

Combustion efficient clean burn, super efficient heat exchanger and 55°C flue exhaust temperature, generates fewer greenhouse gases (CO-CO₂) per megajoule of heat produced, when compared to other similar conventional gas heaters, which is a direct benefit to the environment.





IS 900 Insert - Charcoal - Picture Frame Surround

Operating and Safety Features

Computer Controlled Safety and Efficiency Hot Surface Ignition (H.S.I.) Module

The Archer's solid state electronic computer control system, gives you safety, convenience and efficiency not seen in Australia before.

To start with the Archer electronic solid state module controls every function and operating feature of the heater for safe and efficient operation.

During operation the independent twin H.S.I. ignition system controls the ignition cycle of each burner automatically to ensure trouble free automatic ignition (no pilot light or troublesome piezo ignition) for added reliability, safety and lower gas bills.

During operation the remote flame sensors constantly monitor the status of the flame for added safety. Archer's independent (H.S.I.) ignition system lets you select from 3 burner settings. Low, medium and high burn at the touch of a button from easy accessible controls for selection of your own comfort level and lowest operating cost.

Years of painstaking laboratory testing coupled with extensive in field trials have resulted in a truly reliable ignition system. Prior to start up of your heater it automatically purges any un-burnt gas prior to ignition for added safety.

The 3 speed fan which is automatically linked to each burner setting has been customised for optimum comfort and efficiency. The fan in the heater will not start operating until the heater has sufficiently warmed up. When you turn your heater off the fan will keep pushing warm air until all the built up heat in the heater has been extracted.

All your heaters operating modes can be viewed on the display monitor located behind the bottom front panel.

Additional safety features such as flame failure safety, overheating safety, automatic shutdown if power or gas fails and fan start/stop protection are all built into the Archer solid state electronic module for customising your heater for added safety, optimum comfort and efficiency to give you the comfort of feeling safe in your home.

Zero Clearance Installation

Another direct installation and safety feature derived from the Archer's revolutionary heat exchange system, is the zero clearance temperature achieved on the bottom, top, back and sides only of the heater, which allows the heater to be installed safely against combustible materials. The safety screen fitted to the large neo ceramic door glass will be welcoming news for parents with small children.



Bay Window Safety Grill



Standard Safety Grill - Flat Front



Simple ON/OFF operation

Thermostat Control

*All heaters are available with optional fully programmable remote thermostat.



Australian Made

Aurora Climate Systems, is a Family owned and operated Company, which developed and has been manufacturing Archer Gas Log Fires in Melbourne since 1996.



GAS
ENERGY RATING

IS 905 Insert Stainless Steel - Bolted Surround

Installation Advantages

Low cost versatile installation.

The Archer Gas Log Space Heater technology eliminates costs and flexibility on installations when compared to the installation of most other gas heaters, which require expensive and unsightly flue installations.

The Archer's revolutionary plastic power flue and plastic 40mm Ø PVC single flue system eliminates those costly installations and is ideal for high rise apartments, external and internal wall applications anywhere in your home and ideally can be used as a replacement for existing gas or oil space heaters.

The Archer Gas Log Space Heater due to its high efficiency with 92% heat extracted from Archer's revolutionary heat exchanger ensures that surface temperatures of the heater are kept extremely low to allow zero clearance installations without the added cost of

installing a zero clearance box, which allows you to create your own decorative fireplace at the lowest cost.

The PVC co-axial flue system will give you the added benefit of using external combustion air allowing the air in your home to remain fresh. Whilst the 40mm PVC single flue system gives you unlimited installation advantages.

See installation section on page 31 to discover how the Archer Gas Log Space Heater can be installed in your choice of location of existing masonry fireplace, external and internal wall applications, high rise apartments and created zero clearance fireplaces all due to the small bore PVC co-axial or single flue system available only with an Archer heater.



See page 31 for flue installation options

Automatic Humidifier Standard

Most gas heaters dry out the air in the room. Remember the bowls of water in front of the old gas heaters?

The Archer has ingeniously solved this problem with an automatic humidifier. Gas contains moisture which is normally expelled out the flue after combustion, but the Archer is so efficient by taking 92% of the heat out of the burnt gases that the moisture drops out and condenses in the back of the heater.

This water is collected in a tank which is then pumped up to a stainless steel holding tank where it evaporates in the stream of hot air, which is blowing into your home.

Air humidity is automatically restored. This feature is especially important for those with delicate throats or mild breathing difficulties.



Note: The amount of condensate build up depends on outside temperature, humidity levels, length of flue and heat settings. Long single vertical flue, will cause the automatic humidifier to activate more often, compared to short horizontal coaxial or single flue installations.



IS 755 Stainless Steel Insert



GAS
ENERGY RATING

IS 760 Insert Flat Front with Beach Fire Log Set - Colour Charcoal

Integrated Central Ducted Heating

Designed for total house coverage, uniform heat distribution throughout the whole house.

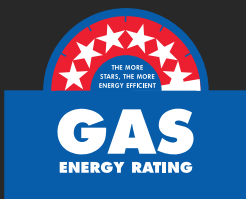
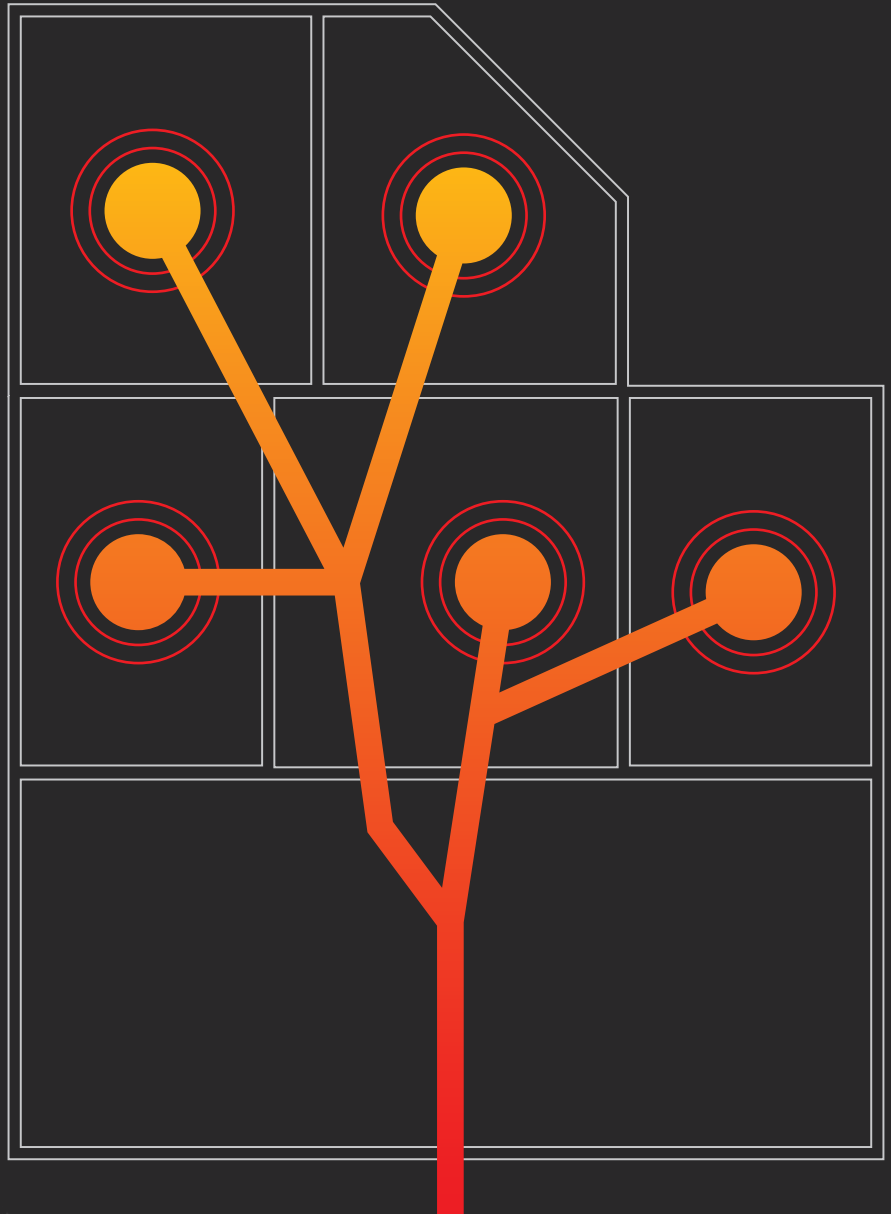
Introducing the most efficient Archer gas log fireplace heaters which are now available as a central heating fireplace system to heat your whole home.

Archer's central heating system for its models IS900 and IS700 extracts 92% of available heat generated by Archer's revolutionary triple heat exchange system and distributes that heat into different areas within your home. Providing quiet and efficient heating.

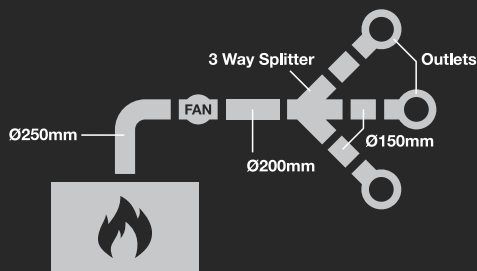
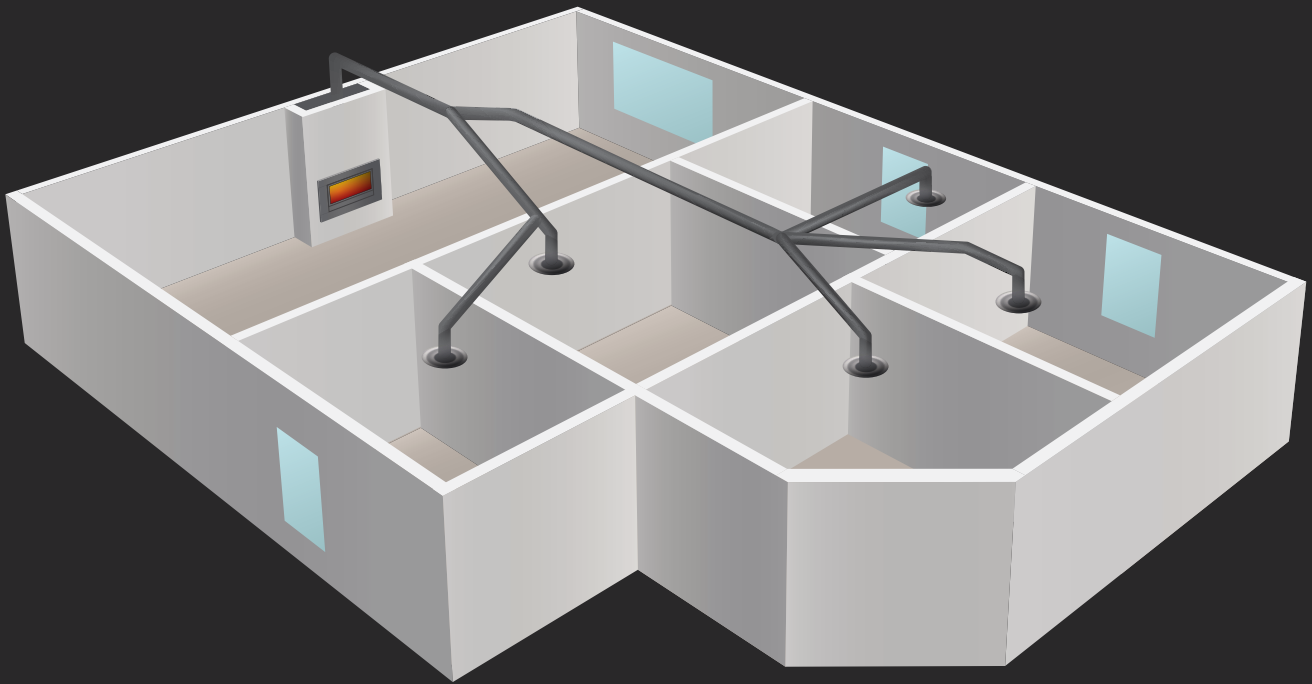
92% of heat available from your fireplace is efficiently distributed through the ducting system by an inline duct fan through ceiling or floor ducts located throughout your home.

Heating requirements for your home can be automatically adjusted by Archer's simple control system, allowing you to control the heat you require from your fireplace and ducting system.

Archer's central heating fireplace system has the flexibility through its revolutionary PVC fluing system that the fireplace can be installed anywhere in your home. There is a variety of options available for wall, floor or ceiling outlets for your ducting system, which you can choose to suite your home décor.

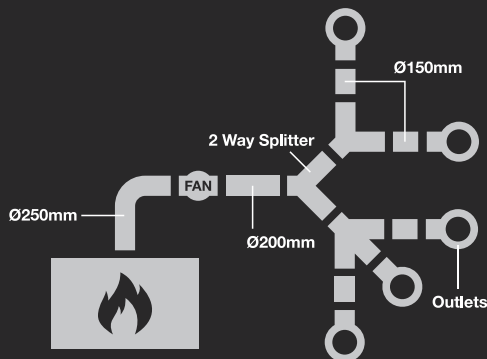


IS 905 Stainless Steel Insert



IS 700 Heating Capacity - 3 Ducts

Number of Ducts	Approx. Maximum Kw
1	2.65
2	2.29
3	2.30



IS 900 Heating Capacity - 5 Ducts

Number of Ducts	Approx. Maximum Kw
1	1.94
2	1.67
3	2.46
4	1.67
5	1.35

Inline Fan Placement

The inline fan must be installed horizontally with mounting brackets provided and must be installed 6 meters away from the OFF TAKE on the heater.

The inline fan can be installed in either roof cavity or under floor installation see separate installation instructions for complete installation of ducted system.

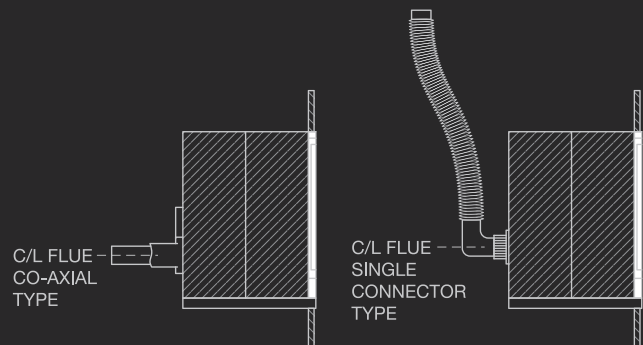
Ducting

The design as illustrated are examples only and can be fitted and installed as per individual requirements.

Number of Ducts	IS900	IS700
Recommended	5	3
Maximum up to*	7	5

Fluing

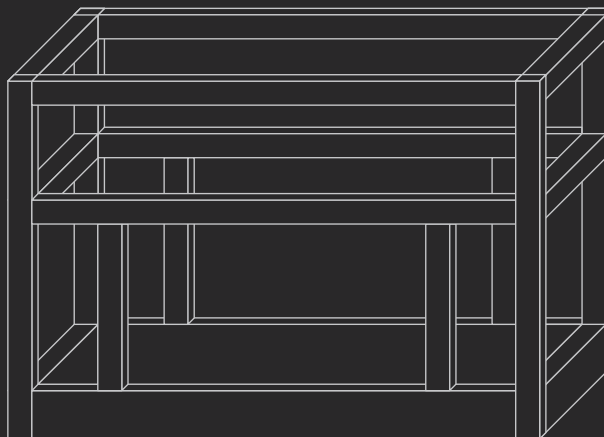
Two basic types of flue configuration can be used either horizontal, co axial flue or single 40mm PVC fluing system for more technical information see page 31 of this brochure for flue installations.



*Performance is subject to length of ducts, ceiling heights and house insulation.

Ducting Construction

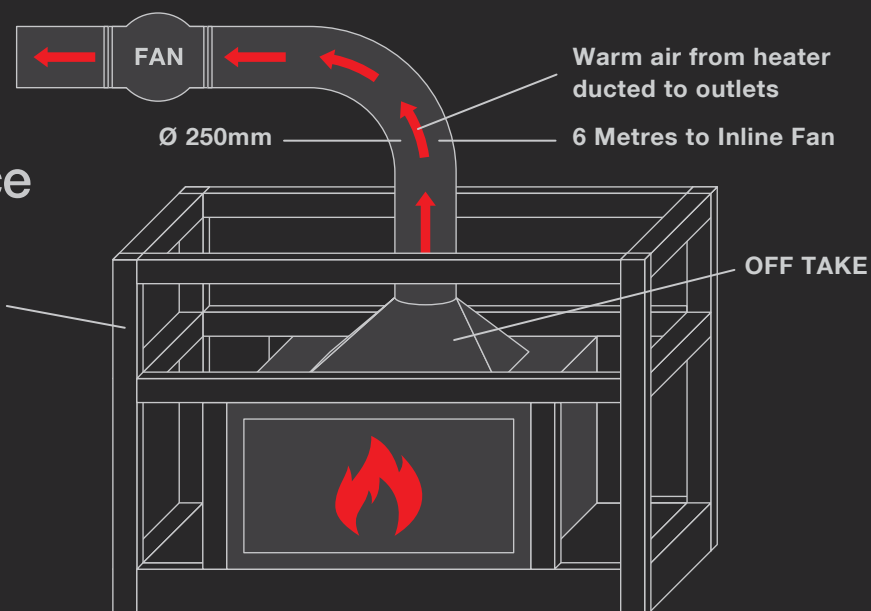
Wall Cavity



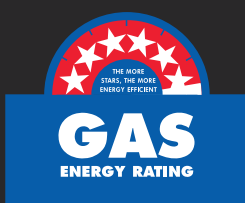
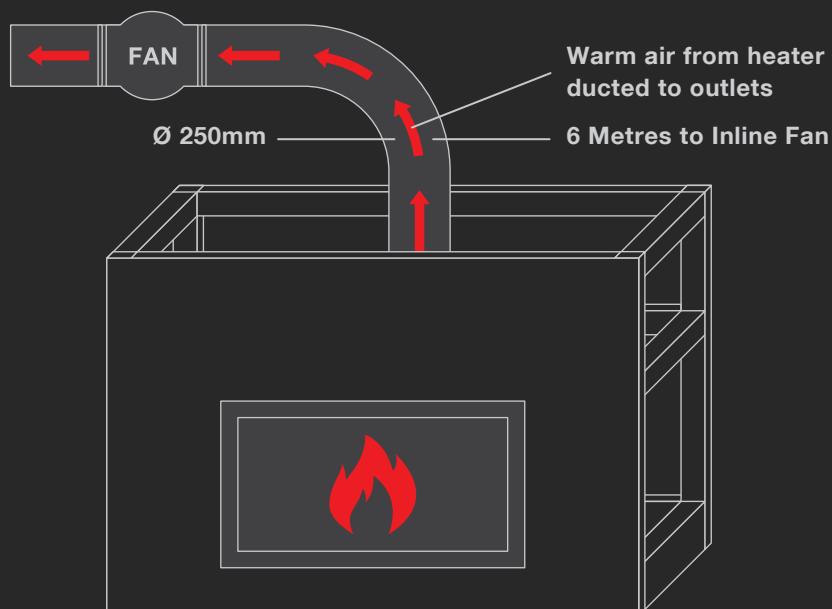
Ducting System, Off-Take and Fireplace

Access Panel must be fitted on either side of the created fireplace for the removal of the Off Take, required for removal of the heater for servicing.

For installation instructions of heater with ducted systems build into creative wall cavity see instruction installation manual.



Finished Installation





GAS
ENERGY RATING

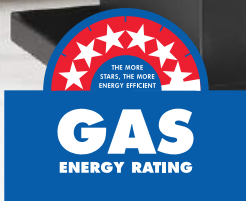
FS 100 Colour Charcoal



FS 101 Colour Metallic Brown with Gold Door and Optional Pedestal



FS 706 With Beach Fire Log Set - Colour Charcoal



FS 720 Free Standing Single Burner Flat Front with Glass - Colour Charcoal



GAS
ENERGY RATING

IS 721 Insert Flat Front Single Burner with Glass - Colour Charcoal
Optional Stainless Steel Door



Back View



FSP 600 Free Standing Top Flued Heater - Colour Charcoal



GAS
ENERGY RATING

IS 203 Cut Back Top Insert Powdercoat - Colour Rivergum
Optional Chrome Door Optional Small Surround

Beautiful Mantel Options

Select traditional or contemporary designs to suit your style

Aurora Climate Systems has a range of Mantel options available which complement your Archer heater, available in Corner Mantels or Full Mantels with, or without Mantel Base. Colors available - White and Unfinished.

Suits Model Series 700 and Model IS 100/200 inserts.

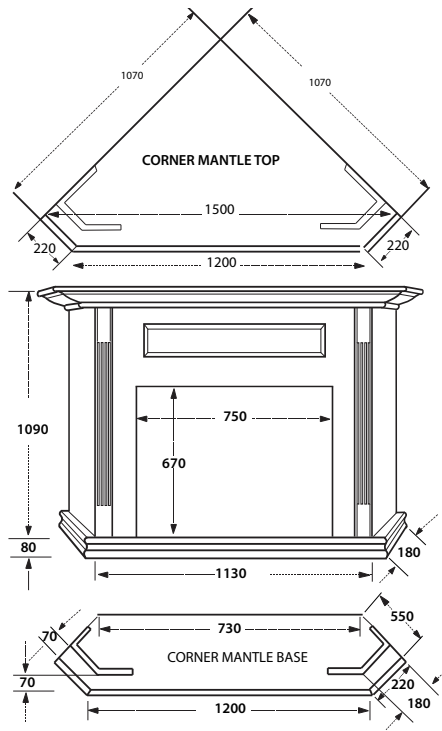
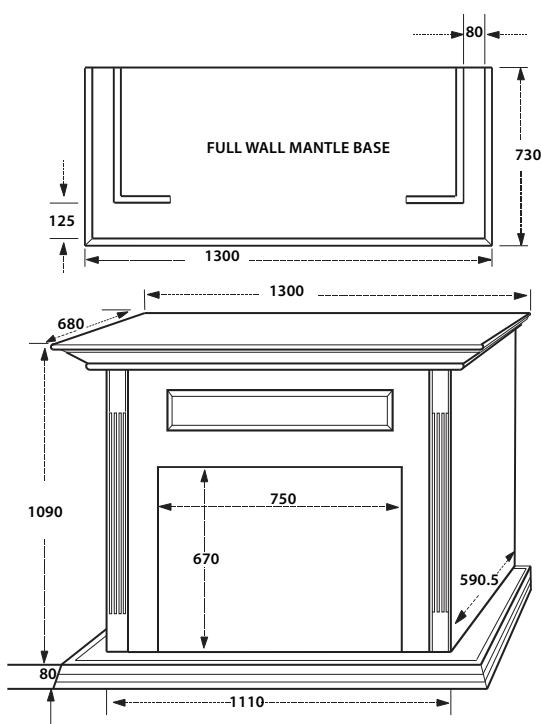


IS 700 Insert - Colour Charcoal - 3 Sided Surround
Optional Corner Mantel and Base - Colour White



IS 203 Deep Fireplace Insert. Powder Coated - Colour Manor Red with Optional Gold Door
Optional Small Surround and Optional Mantle - Mantle Colours Available - White, Unfinished

Mantel Specifications



Optional Mantel Finishes:



Colours to Suit Your Home Décor

Select from our optional range or we can customise your colour selection

Archer offer a choice of six optional colours as shown below, that cover neutral and traditional colour themes. If you require a colour that doesn't appear in our optional selections, our manufacturing facility allows us to customise your colour selection to your specific requirements. Please consult with your dealer to establish a formal quotation for this customised service.

Powder Coat Finishes

Additional colours available on request



RiverGum



Silver Pearl



Manor Red

Paint Finishes



Metallic Brown



Charcoal



Pewter

Optional Heater Surrounds

Select from traditional or contemporary designs to suit your style

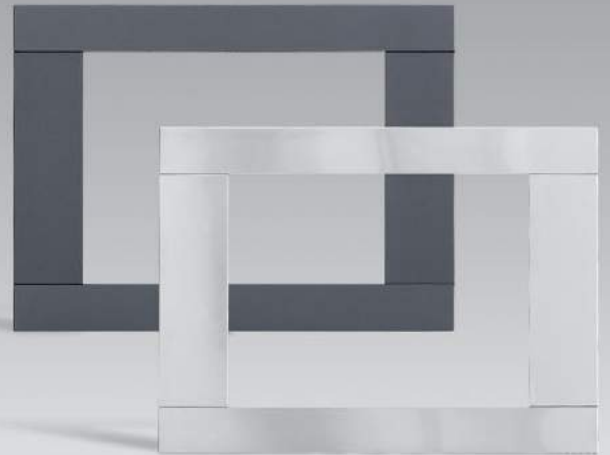
1. Flat Front bolted Surround available in Stainless Steel or Charcoal

Dimensions:

H 694

W 949

D 15mm



2. Flat Front with 3 sided Surround available in Stainless Steel or Charcoal

Dimensions:

H 742

W 885

D 7mm



3. Standard Surround available in two sizes for Bay Window Heater.

Small:

H 758

W 900

D 25mm

Large:

H 858

W 1110

D 25mm



Technical Specifications

Free Standing



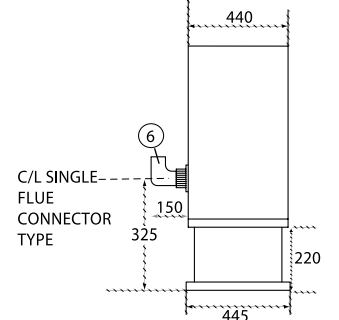
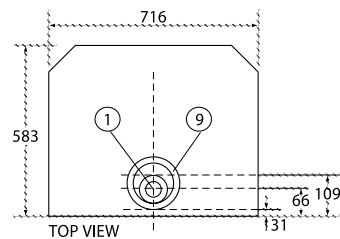
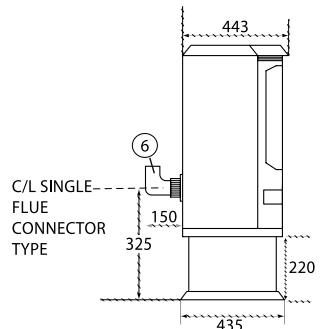
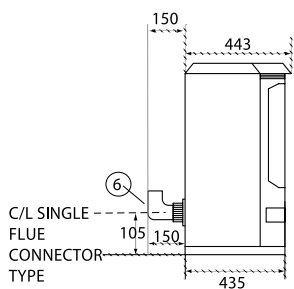
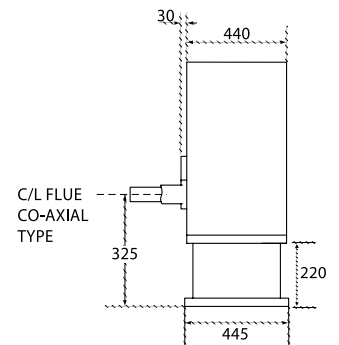
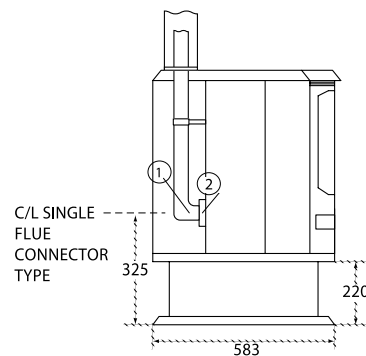
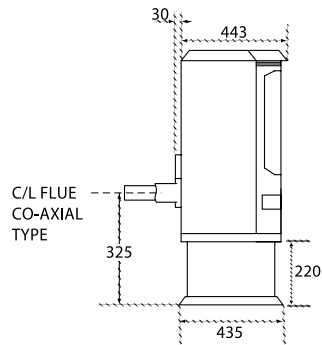
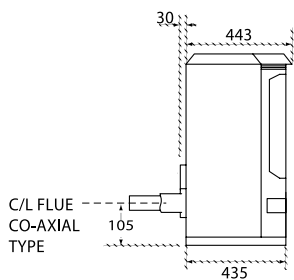
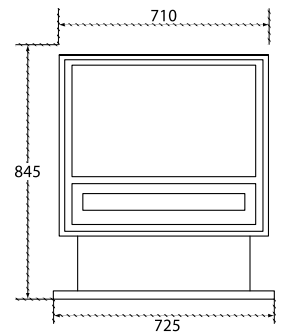
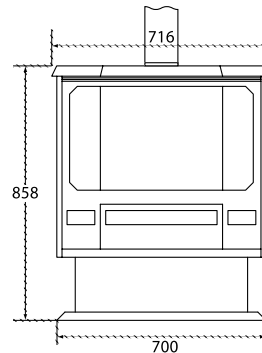
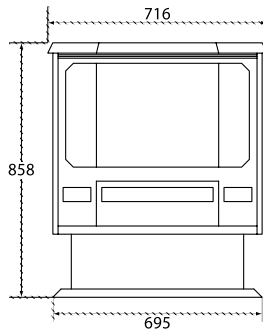
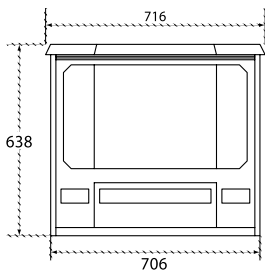
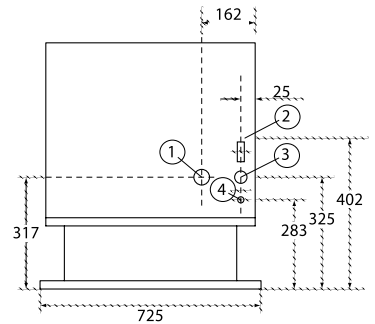
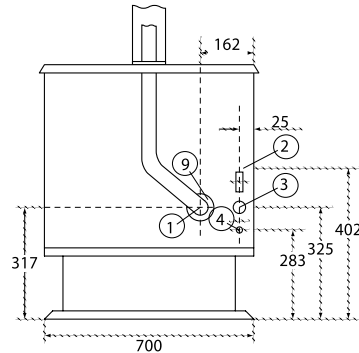
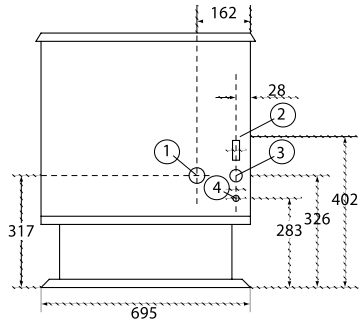
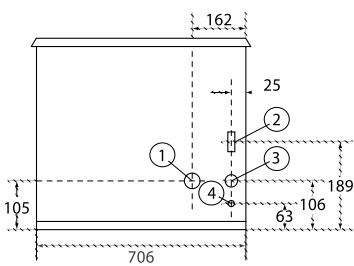
Free Standing with Pedestal



Free Standing with Top Flue



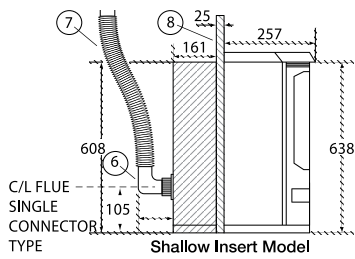
Free Standing Flat Front



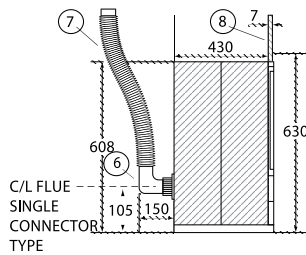
SPECIFICATION KEYS:

- ① Flue Outlet Co-axial (outside 65mm, inside 40mm) single flue 40mm Ø. Flexible Flue 40mm Ø.
- ② Air Inlet
- ③ Electric Cord
- ④ 1/2" BSP Connection (inside)
- ⑥ 90°/40mm PVC Elbow
- ⑦ Flexible PVC Pipe
- ⑧ Heater Surround (see page 25 for options)
- ⑨ Flue Locating Ring 6" (150mm).

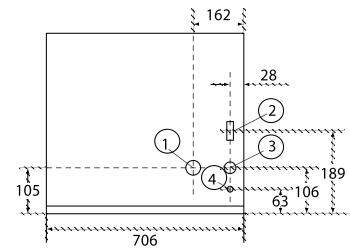
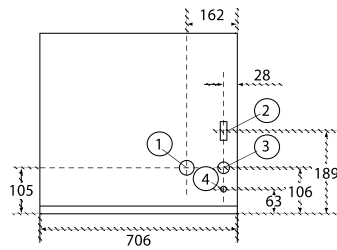
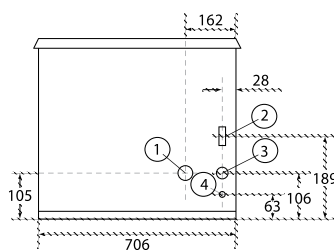
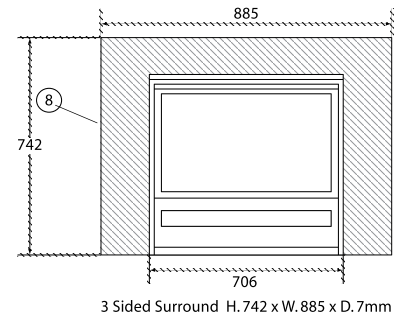
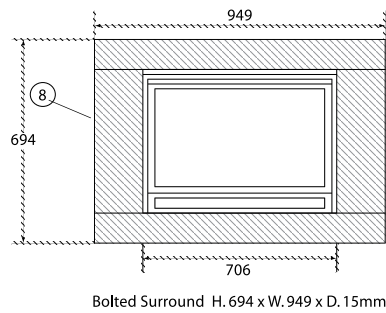
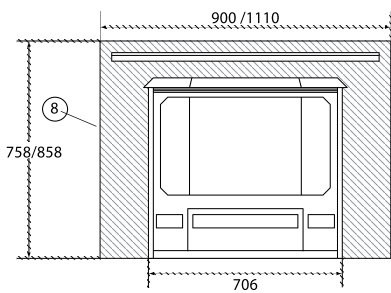
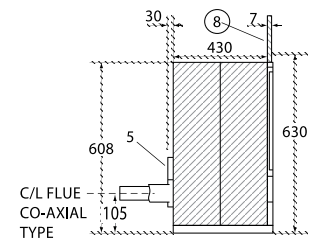
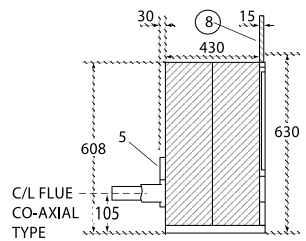
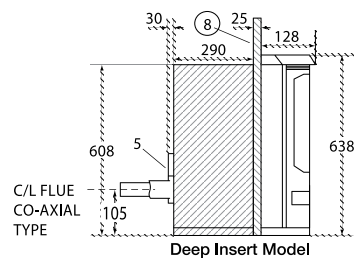
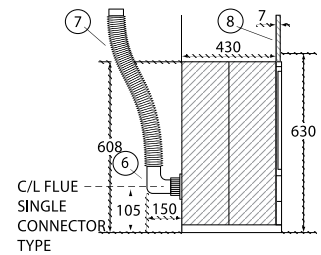
Insert - Shallow & Deep



Bolted Surround



Flat Front 3 Sided Surround

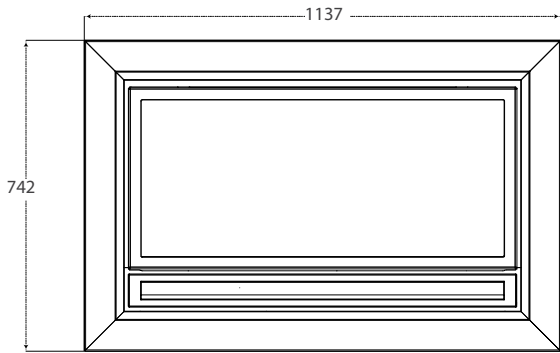


SPECIFICATION KEYS:

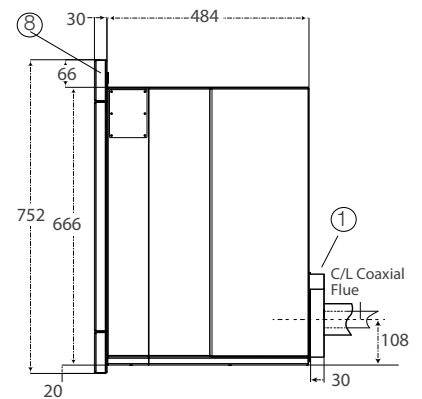
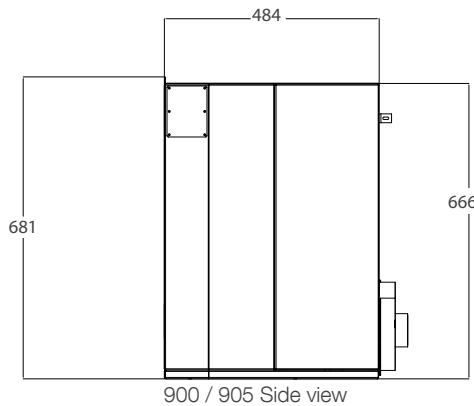
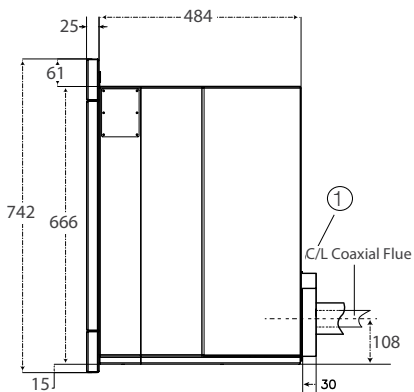
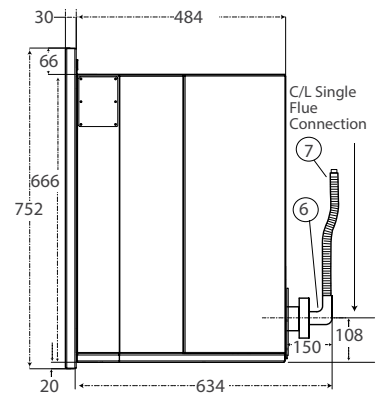
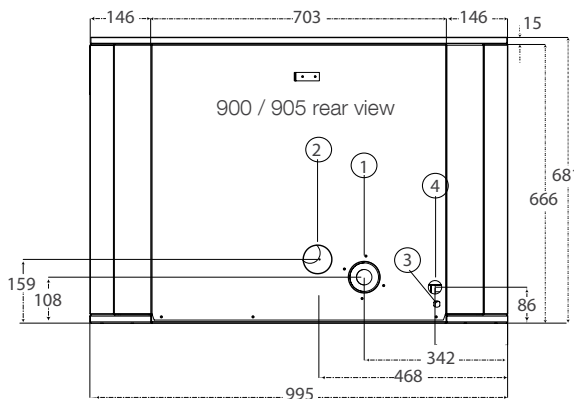
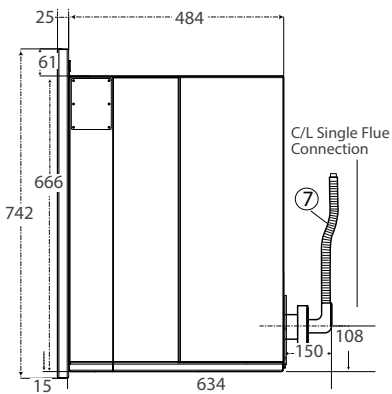
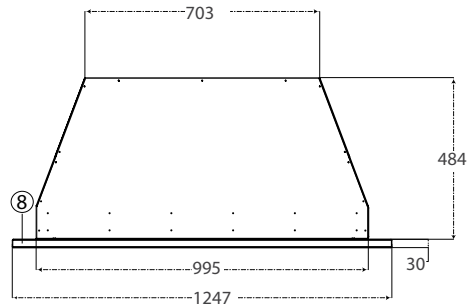
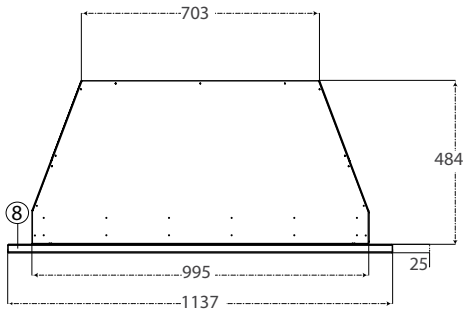
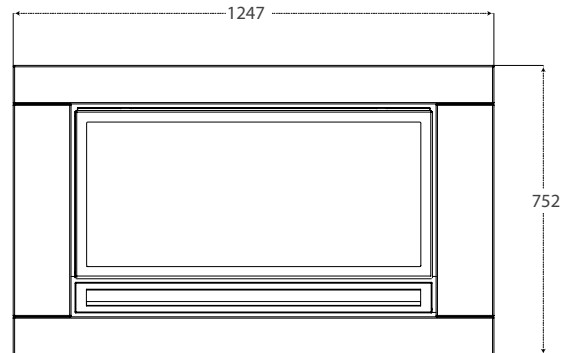
- ① Flue Outlet Co-axial (outside 65mm, inside 40mm) single flue 40mm Ø. Flexible Flue 40mm Ø.
- ② Air Inlet
- ③ Electric Cord
- ④ 1/2" BSP Connection (inside)
- ⑥ 90°/40mm PVC Elbow
- ⑦ Flexible PVC Pipe
- ⑧ Heater Surround (see page 25 for options)
- ⑨ Flue Locating Ring 6" (150mm).

IS 900 / 905 Specifications:

IS 900 Picture Frame Surround



IS 900 Bolted Surround

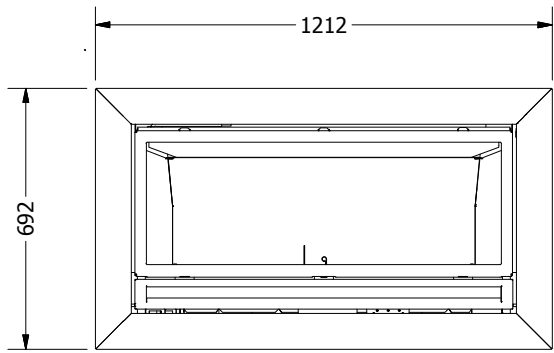


SPECIFICATION KEYS:

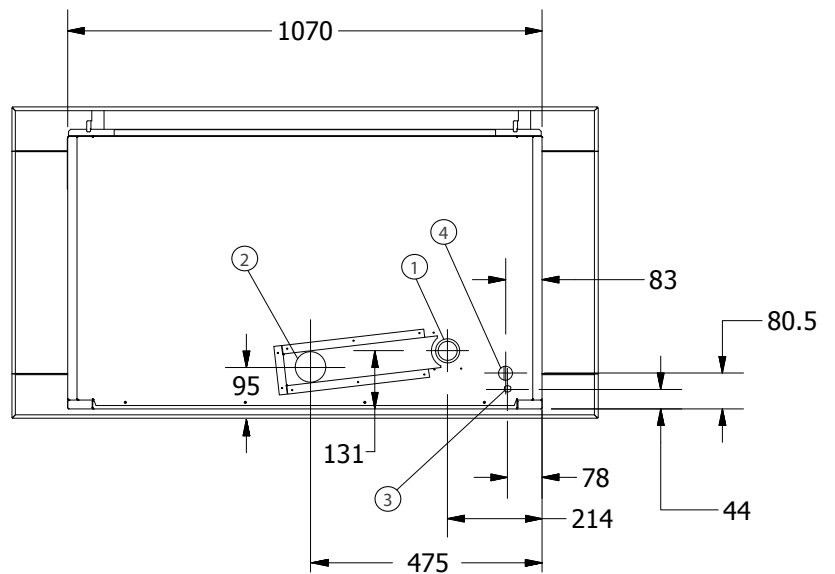
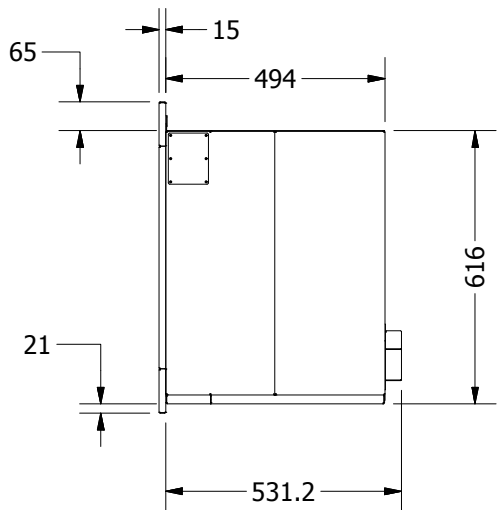
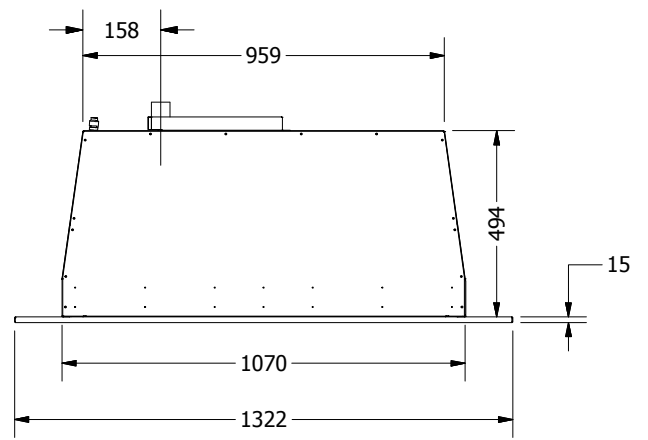
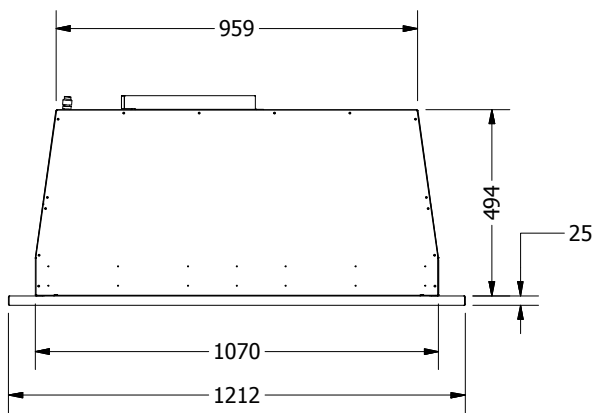
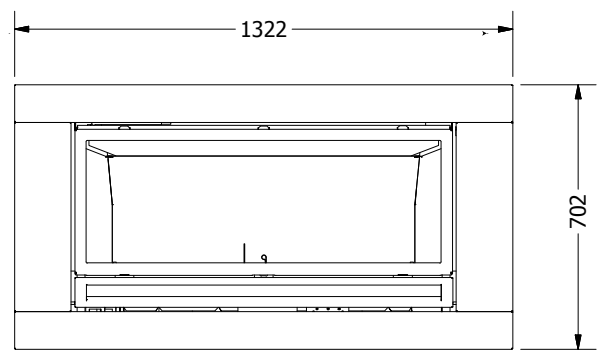
- ① Flue Outlet Co-axial (outside 65mm, inside 40mm) single flue 40mm Ø. Flexible Flue 40mm Ø.
- ② Air Inlet
- ③ Electric Cord
- ④ 1/2" BSP Connection (inside)
- ⑥ 90°/40mm PVC Elbow
- ⑦ Flexible PVC Pipe
- ⑧ Heater Surround.

IS 1200 Specifications:

IS 1200 Picture Frame Surround



IS 1200 Bolted Surround

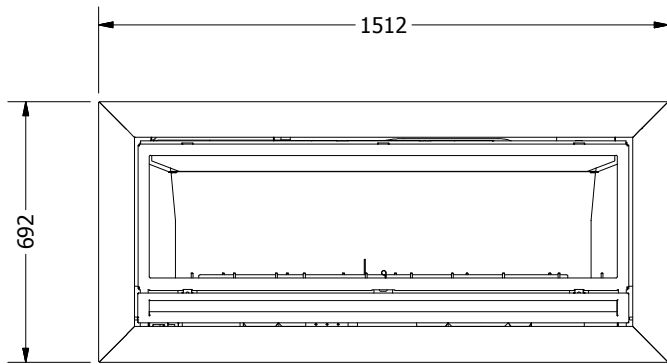


SPECIFICATION KEYS:

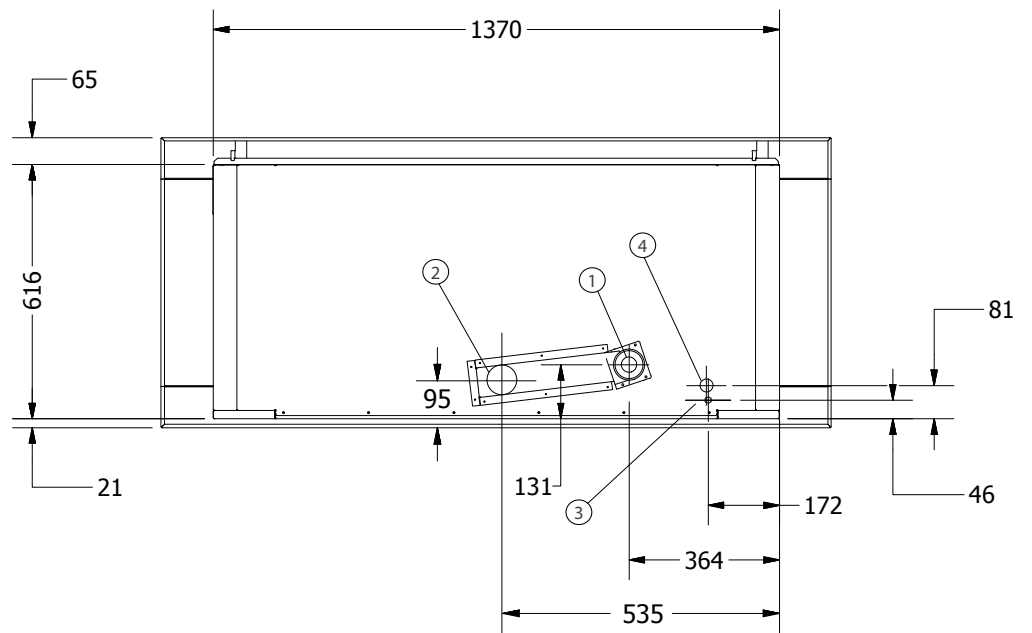
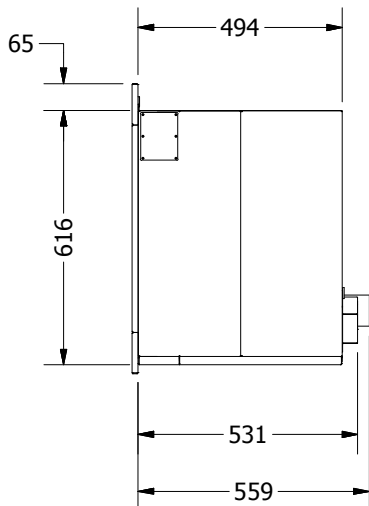
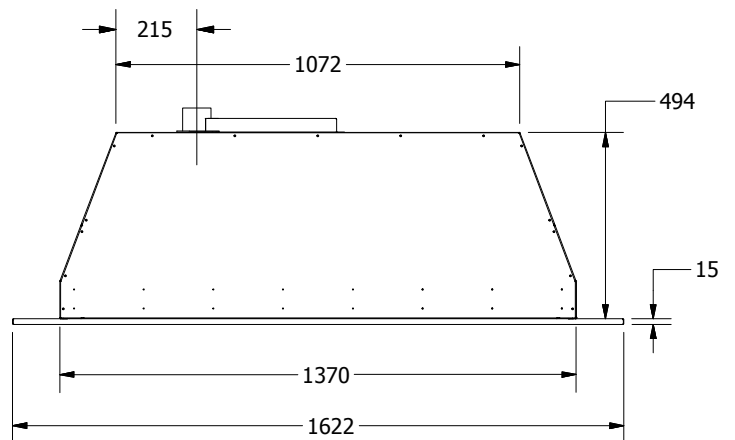
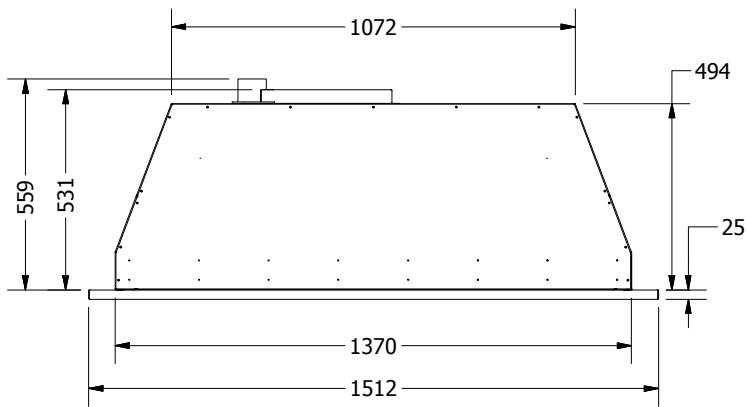
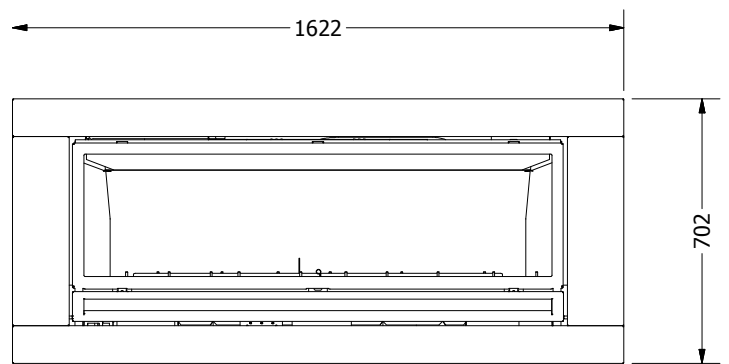
- ① Flue Outlet Co-axial (outside 65mm, inside 40mm) single flue 40mm Ø. Flexible Flue 40mm Ø.
- ② Air Inlet
- ③ Electric Cord
- ④ 1/2" BSP Connection (inside)

IS 1500 Specifications:

IS 1500 Picture Frame Surround



IS 1500 Bolted Surround



SPECIFICATION KEYS:

- ① Flue Outlet Co-axial (outside 65mm, inside 40mm) single flue 40mm Ø. Flexible Flue 40mm Ø.
- ② Air Inlet
- ③ Electric Cord
- ④ 1/2" BSP Connection (inside)

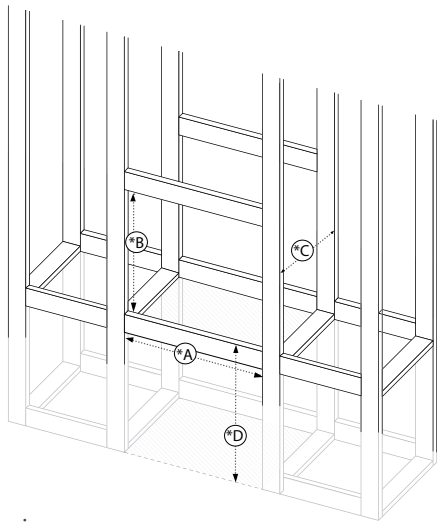
Flue & Installation Options

To suit all Archer Heater models.

Created Fireplace

IS 700 - IS 900 -
IS 1200 - IS 1500
Fireplace Models

Note :
When installed in
created fireplace
on timber or
carpet floor,
heater must be
installed 300mm
above floor



Clearance Dimensions

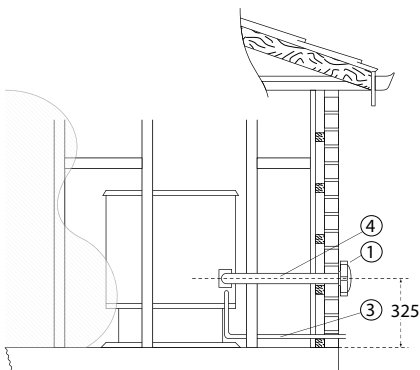
* Model I.S. 700 - (A) w= 780 (B) h= 655 (C) d= 580 (D) = 300

* Model I.S. 900 - (A) w= 1100 (B) h= 715 (C) d= 630 (D) = 300

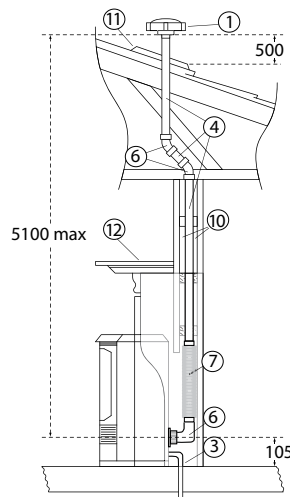
* Model I.S. 1200 - (A) w= 1170 (B) h= 655 (C) d= 645 (D) = 300

* Model I.S. 1500 - (A) w= 1470 (B) h= 655 (C) d= 645 (D) = 300

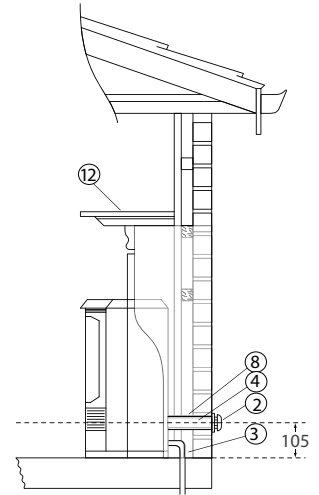
Side Wall



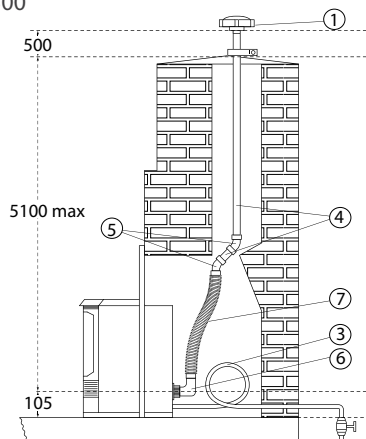
Internal Wall Created Fireplace



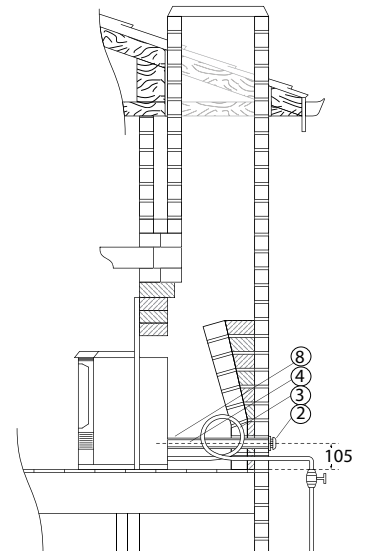
External Wall Created Fireplace



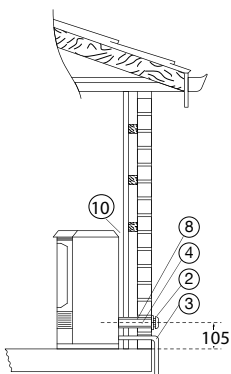
Masonry Internal



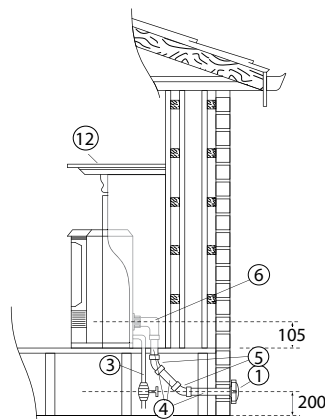
Masonry External



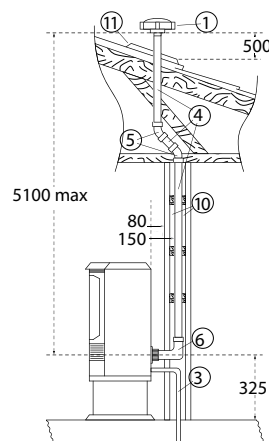
External Wall



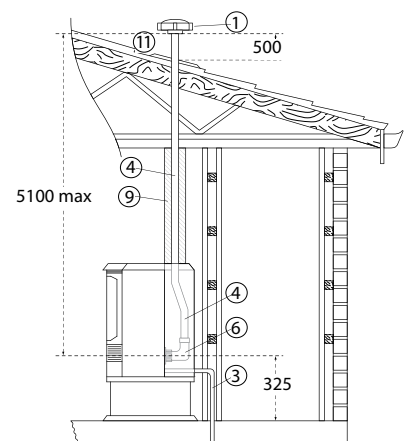
Under Floor



Internal - Vertical



Top Flue FSP600



SPECIFICATION KEYS:

- ① Single Cowl ② Co-axial Cowl ③ 1/2" (12.7mm) Ø BSP gas connection (flexible) ④ 40mm Ø PVC pipe ⑤ 40mm 45° PVC elbow (not supplied)
- ⑥ 40mm 90° PVC elbow ⑦ 50mm Ø flexible pipe ⑧ PVC co-axial pipe 65mm Ø 40 mm Ø inner ⑨ 6" (150mm) Ø Outer decorative flue pipe.
- ⑩ Zero clearance installation to combustibles ⑪ Flashing. ⑫ Mantel.

Specifications

Model Series 1200	Insert Flat Front
Input High	35Mj/h 10 Kw
Input Low	17.5Mj/h 5 Kw
Combustion Efficiency	92%
Fan	Automatic 3 speed
Ignition	Automatic H.S.I.
Heat Settings	5 Settings
Automatic Humidifier	Standard
Heating Area	Up to 200 square meters (20 squares)*
Clearances	Zero clearance to all surfaces**
Energy Star Rating	5.6
Tested to AGA Code AS5263.0 - 2013, AS/NZS 5263.1.3:2016	

Specifications

Model Series 3	Freestanding and Insert
Input	Nat/LPG High 30Mj/h Nat/LPG Medium 20Mj/h Nat/LPG Low 10Mj/h
Output	High Kw 7.6 Med 5.2 Kw Low 2.5 Kw
Combustion Efficiency	92%
Fan	Automatic 3 speed
Ignition	Automatic H.S.I.
Heat Settings	3 Settings - High/Medium/Low
Automatic Humidifier	Standard
Heating Area	Up to 180 square meters (18 squares)*
Clearances	Zero clearance to all surfaces**
Energy Star Rating	5.5
Tested to AGA Code AS4553 - 2008 Certificate No. 5446	

Specifications

Model Series 7	Insert Flat Front
Input	Nat/LPG High 30Mj/h Nat/LPG Medium 18Mj/h Nat/LPG Low 12Mj/h
Output	High Kw 7.6 Med 4.6 Kw Low 3 Kw
Combustion Efficiency	92%
Fan	Automatic 3 speed
Ignition	Automatic H.S.I.
Heat Settings	3 Settings - High/Medium/Low
Automatic Humidifier	Standard
Heating Area	Up to 180 square meters (18 squares)*
Clearances	Zero clearance to all surfaces**
Energy Star Rating	5.7
Tested to AGA Code AS4553 - 2000 / AG 103 - 2000 AS5601 - 2004	
Approval No. GSCS 20025	

Specifications

Model Series 1500	Insert Flat Front
Input High	40Mj/h 11.4 Kw
Input Low	20Mj/h 5.7 Kw
Combustion Efficiency	92%
Fan	Automatic 3 speed
Ignition	Automatic H.S.I.
Heat Settings	5 Settings
Automatic Humidifier	Standard
Heating Area	Up to 220 square meters (22 squares)*
Clearances	Zero clearance to all surfaces**
Energy Star Rating	5.5
Tested to AGA Code AS5263.0 - 2013, AS/NZS 5263.1.3:2016	

Specifications

Model Series 9	Insert Flat Front
Input	Nat/LPG High 45 Mj/h Nat/LPG Medium 25Mj/h Nat/LPG Low 20 Mj/h
Output	High 11.2 Kw Med 8.2 Kw Low 5 Kw
Combustion Efficiency	90%
Fan (Dual)	Automatic 3 speed
Ignition	Automatic H.S.I.
Heat Settings	3 Settings - High/Medium/Low
Automatic Humidifier	Standard
Heating Area	Up to 250 square meters (25 squares)*
Clearances	Zero clearance to all surfaces**
Energy Star Rating	5.4
Tested to AGA Code AS4553 - 2008 Certificate No 13368	

Specifications

Model Series 720	Insert and Flat Front
	Single Burner
Input	20Mj/h
Output	5.5 Kw
Combustion Efficiency	92%
Fan	Automatic 3 speed
Ignition	Automatic H.S.I.
Heat Settings	5 Settings
Automatic Humidifier	Standard
Heating Area	Up to 100 square meters (10 squares)*
Clearances	Zero clearance to all surfaces**
Energy Star Rating	5.9
Tested to AGA Code AS4553 - 2008 Certificate No 8198G	

Note * Heating Capacity may vary depending on heater model selection and to climate, home design, heater location, ceiling height, and insulation etc.

Note** Heater clearances: Insert models Series 3, 7, 9, 12, 15 require minimum clearance of 50mm each side and top for easy removal of appliance for servicing.

Head Office:

AURORA CLIMATE SYSTEMS

71-73 Overseas Drive

Noble Park

VICTORIA 3174

Tel : +61 3 9795 8895

Fax : +61 3 9701 2088

E-mail : sales@auroraclimatesystems.com.au

Web : www.auroraclimatesystems.com.au

The Archer Warranty

Aurora Climate Systems stands behind their products and gives every purchaser this guarantee.

Heat Exchanger	15 years parts/1 year labour
Main Fan	2 years parts/1 year labour
Flue Fan	2 year parts/1 year labour
All other parts	2 year parts/1 year labour
Glass	Accidental breakage of glass excluded