

Lopi™

Traditional Gas Fireplaces



FEATURING  
**GREEN 2 SMART.**

## Product Overview

PRODUCT SPECS						
MODEL	564 GS2 (Clean Face)	564HO GS2 Dancing-Fyre™	564HO GS2 Ember-Fyre™	564HO GS2 Diamond-Fyre™	864 GS2 (Clean Face)	864ST GS2
Mj Input	<b>New Model Now Available</b>					
High - NG/LPG	21.6	35	35	35	31	39.5
Low NG	5	10	10	10	7	15.5
Low LPG	4.5	7.5	7.5	7.5	5.5	10.5
Maximum kW Output	4.34	7.5	7.5	7.5	7.13	8.10
Door Glass Type	Tempered	Ceramic	Ceramic	Ceramic	Tempered	Tempered
Heating Capacity*	Up to 90sqm*	Up to 158sqm*	Up to 158sqm*	Up to 158sqm*	Up to 125sqm*	Up to 135sqm*
Glass Size	797 x 460mm	797 x 460mm	797 x 460mm	797 x 460mm	865 x 570mm	865 x 570mm
PRODUCT FEATURES						
MODEL	564 GS2	564HO GS2 Dancing-Fyre™	564HO GS2 Ember-Fyre™	564HO GS2 Diamond-Fyre™	864 GS2 (Clean Face)	864ST GS2
Burner Type	Dancing-Fyre™	Dancing-Fyre™	Ember-Fyre™	Diamond-Fyre™	Dancing-Fyre™	Dancing-Fyre™
Media Type	Log	Log	Log	Fyre-Stone™ or Driftwood	Log	Log
Glass Media Included				●		
Vent Position	Rear or Top	Top Only	Top Only	Top Only	Rear or Top	Rear or Top
Adjustable Air Shutter	●	●	●	●	●	●
Safety Screen Included	●	●	●	●	●	●
Installation Type	Zero Clearance	Zero Clearance	Zero Clearance	Zero Clearance	Zero Clearance	Zero Clearance
6 Speed Fan	●	●	●	●	●	●
Accent Lights	●	●	●	●	●	●
Remote Control Included	●	●	●	●	●	●
LPG Conversion - Included upon request	●	●	●	●	●	●

\* Heating capacity varies according to the size of the closed off area being heated, ceiling height, floor plan, insulation and outside air temperature

## Product Overview Continued

### FIREPLACE FINISHING OPTIONS - To view options see pages 12-15

MODEL	564 GS2 (Clean Face)	564HO GS2 Dancing-Fyre™	564HO GS2 Ember-Fyre™	564HO GS2 Diamond-Fyre™	864 GS2 (Clean Face)	864ST GS2
<b>Grills &amp; Glass Trims Available</b> Avalon, FPX, Bostonian Black		●	●	●		●
Bostonian Brushed Metal		●	●	●		●
<b>3 Colour Glass (floor of fireplace)</b>						
<b>Fireback Liners</b>	Optional	Required	Required	Required	Optional	Optional
Black Painted		●		●		
Stainless Steel	●			●	●	
Black Glass	●		●	Enamel	●	
Ledgestone / Stacked Tan Brick	●		●		●	
Diamond Mosaic / Stucco (Reversible)	●		●		●	
Straight / Herringbone Brick (Reversible)	●		●		●	
Handmade Brick	●		●		●	
<b>Faces</b>						
Clean Face	●				●	
10mm Finishing Trim	●				●	
50mm Finishing Trim	●				●	
Shadowbox Face		●	●	●		●
Studio Trims (For use with grills)		●	●	●		●
All other faces (See page 15)		●	●	●		●

## What is GreenSmart 2™

The GreenSmart™ 2 System is the most innovative collection of components, controls and technology that when combined provide an elegant, smarter and greener way to heat your home. The GreenSmart 2™ features include;

GreenSmart 2 Remote Control, Smart Thermostat Mode, Remote Blower Operation, Accent Lighting\*, Comfort Control™, Continuous or GreenSmart™ Pilot and Drop Down or Glide-Away™ Concealments Doors\*.

The GreenSmart 2™ Remote allows you to run all features of the fireplace. In “Smart Thermostat Mode” the fire automatically adjusts the heat output based on the temperature setting you’ve chosen.

This means the flame will modulate up/down as opposed to instantly shutting off/on like normal thermostat. This conserves fuel, maximises heating ability and offers a more even heat while extending the viewing pleasure of the fire.



The GreenSmart™ 2 Remote can be carried around the home and be wall mounted.

## GreenSmart™ 2 Features

### Thermostat / Manual Modes

The GreenSmart™ 2 system allows for the fireplace to be used in a manual mode whereby the home owner manually adjusts the controls or in a choice of 2 thermostat modes described below:

**‘On’ Thermostat Mode:** Thermostat control setting turns the fire automatically ON and OFF to maintain a set temperature.

**‘Smart’ Thermostat Mode:** In ‘Smart’ Thermostat mode the flame will modulate from low to high, or high to low until the set temperature is reached. This will conserve fuel usage and extend the viewing pleasure of the fire. If the room temperature exceeds the thermostat setting, the unit will shut off until heat is required again. This is the most comfortable and efficient way to heat your home.

After choosing your temperature you may adjust the fan speed setting, including on or off, turn on or off your accent light and turn on or off the rear burner (Comfort Control) depending on the season and your heating needs.

### Comfort Control™ Features:

With the push of a button on the GreenSmart remote, the Comfort Control will turn off the rear burner while leaving the front burner on for an attractive flame appearance when less heat output is the priority. This feature not only ensures your comfort, but does not waste energy when less heat is desired.

### Blower Operation:

With simple remote operation the blower can operate from either off to a choice of six speeds.

### Accent Lights:

Accent Lights are standard features in all Lopi gas fireplaces. This feature adds a warm glow to both the logs and optional firebacks and can be used when the fire is on or off. This is perfect as a night light or soft indirect light for the room, the Accent Light allows visual enhancement of your fireplace 365 days a year.

### Continuous or GreenSmart™ Pilot:



Accent Lights Shown with the 564HO GS Diamond-Fyre Burner

This switch allows you to operate your fireplace in either continuous (CPI) or GreenSmart™ (IPI) modes. In continuous pilot mode your pilot stays on and is ideal during winter months when maintaining a warm flue to ensure a reliable operation. In GreenSmart™ Pilot mode, the pilot flame ignites via an intermittent (IPI) spark. It does not run continuously and thus conserves energy when the appliance is not being operated in the spring and summer. The GreenSmart™ system includes an automatic battery back-up, ensuring proper ignition even during power outages.

### Glide-Away™ or Drop Down Concealment Door\*

The control valve and wires are hidden by a concealment door to provide an elegant, more finished appearance.



Concealment door closed



**564 GS2 (Clean Face)  
Direct Vent Gas Fireplace**



Join the Lopi tradition by heating your home with the Lopi 564 GS2 gas fireplace. At Lopi we build only the highest quality fireplaces. Notice the detail and beauty in the log-set, the warm glowing fire and minimal lines.

The design of the Lopi 564 GS2 allows you to add the beauty of fire with a large viewing area while giving you control over the heat.

The huge turn-down rate makes the 564 GS2 fireplace ideal for smaller enclosed rooms such as bedrooms and dens and for those not needing a large amount of heat, but still wanting to enjoy a beautiful fire year-round.

**Lopi 564 GS2 Specifications**

Mj Input	Heating Capacity
21.6 Mj High	Up to 90sqm*
5Mj Low NG	4.34kW
4.5 Mj Low LPG	

Energy Star Rating	Burner Type
1.0	Dual Burner Dancing-Fyre™ GreenSmart™ 2

Media Type	Remote
Standard Log Set	GS2 Standard Inclusion

Accent Lighting	Glass Size
Rear Lights Standard	797 wide x 460mm high

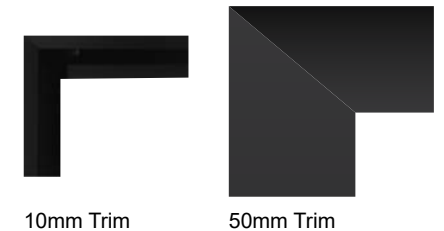
Min Framing Size	Installation Type
972mm wide 486mm deep*** 934mm high**	Zero Clearance or Masonry Installation LPG Conversion Incl

\*\*Frame height from base of firebox  
\*\*\*Maximum depth - see installation manual



564 GS2 - Clean Face  
Finished with 10mm Trim

**Optional Finishing Trims**



\*Heating capacity varies according to the size of closed off area, ceiling height, floor plan, insulation and outside air temperature

**The 564HO GS2 - '4 Products in 1'**  
 Create the look you desire with a burner and media option to suit any décor.



**564HO GS2**  
 Direct Vent Gas Fireplace



The Lopi 564HO GS2 offers a choice of three different burner options; the high performance Ember-Fyre™ burner, the Dancing-Fyre™ burner or the contemporary Diamond-Fyre™ burner with a choice of Driftwood or Stones. The 564HO GS2 is sure to keep things warmed up year round with a heat output of 35Mj's and the ability to heat up to 158 square metres.\*

This high efficiency fireplace offers a turn down ratio of up to 71% (NG) or 79% (LPG). The pyro-ceramic glass face enhances the radiant heat that ultimately warms the surfaces of your home helping assisting the high heating performance of this fireplace.

**Lopi 564HO GS2 Specifications**

Mj Input	Heating Capacity
35 Mj High	Up to 158sqm*
10Mj Low NG	
7.5 Mj Low LPG	7.5kW
Energy Star Rating	Burner Type
3.0	Dancing-Fyre™, Ember-Fyre™ or Diamond-Fyre™ GreenSmart™ 2
Media Type	Remote
Dancing-Fyre™ - Log	GS2 Standard
Ember-Fyre™ - Log	Inclusion
Diamond-Fyre™ - Rocks or Driftwood	
Accent Lighting	Glass Size
Included	797 wide x 460mm high
Min Framing Size	Installation Type
930mm wide	Zero Clearance or
451mm deep	Masonry Installation
936mm high**	LPG Conversion Incl

\*\*Frame height from base of firebox

**Media Options**



Dancing-Fyre™



Ember-Fyre™



Diamond-Fyre™ Driftwood Fire Art™



Diamond-Fyre™ Fyre-Stone™ Rock

See Page 12 for a full list of burner, media & fireback liner options available for the 564HO GS2

\*Heating capacity varies according to the size of closed off area, ceiling height, floor plan, insulation and outside air temperature





864 GS2 (Clean Face)  
Direct Vent Gas Fireplace



**New Model Now Available - See Seperate 864 Brochure**

The 864 GS2 is standard with the Clean Face meaning you can finish this fireplace in a minimal way without the need for grills. The 864 GS2 is perfect for bigger rooms or as a beautiful, decorative fire all year long. It features a wide Mj turn down range for more heat flexibility and flame viewing options.

The 864 G2S features 864 square inches of viewing area. You have virtually unlimited flame variation with our Comfort Control™ switch and the variable flame control. Use all 31Mj's of flame on the coldest winter nights or turn it down to only 7Mj (NG) or 5.5Mj (LPG) for a romantic firelight on a warmer night. You can enjoy a full flame fire with maximum height or use the variable flame control to turn the flames lower when you want less heat. Use the Comfort Control™ switch to turn off the rear burner completely for a darker, more romantic fire and less heat.

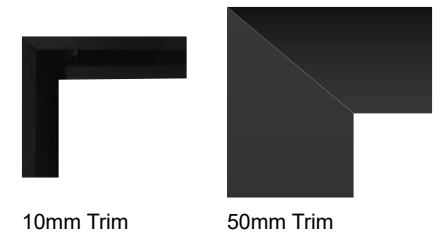
**Lopi 864 GS2 Specifications**

Mj Input	Heating Capacity
31 Mj High	Up to 125sqm*
7 Mj Low NG	7.13kW
5.5 Mj Low LPG	
Energy Star Rating	Burner Type
3.5	Dancing-Fyre™ GreenSmart™ 2
Media Type	Remote
Standard Log	GS2 Standard Inclusion
Accent Lighting	Glass Size
Included	865 wide x 570mm high
Min Framing Size	Installation Type
1086mm wide	Zero Clearance or
572mm deep***	Masonry Installation
1137mm high**	LPG Conversion Incl
**Frame height from base of firebox	
***Maximum depth - see installation manual	



864 GS2 - Clean Face  
Finished with stone surround & timber mantelpiece

**Optional Finishing Trims**



10mm Trim

50mm Trim



Lopi 864 GS2 - Shown with Clean Face, 10mm Finishing Trim & Black Glass Fireback Liner

\*Heating capacity varies according to the size of closed off area, ceiling height, floor plan, insulation and outside air temperature



# 864ST GS2 Direct Vent Gas Fireplace



### We Dare You To Compare!

The Lopi 864ST GS2 is not only one of the most realistic double sided gas fireplace in Australia, but is also a great heating option.



A home is a combination of dreams and choices, each a reflection of you. From the most intimate engraved details on a fireplace face to the grandest of fires, our fireplaces bring a sense of style to your home.

The 864ST GS2 maintains this tranquillity with a perfect balance between the firebox, logs and flames. The logs and fire have been carefully designed to give you a different look from either side. Compare the amazingly realistic nine piece log-set with any other see-thru fireplace on the market! The unique split-level Dancing-Fyre™ burner will give you a warm, yellow fire with glowing embers that your friends and family will have a hard time telling apart from a real wood fire.

The 864ST GS2, a fireplace with two points of view. You can personalise each room using a different face on each side of the fireplace. Choose one of the standard grill sets or even choose one of the beautiful upgrade faces.

### Lopi 864ST GS2 Specifications

Mj Input	Heating Capacity
39.5 Mj High	Up to 135sqm*
15.5 Mj Low NG	8.10kW
10.5 Mj Low LPG	
Energy Star Rating	Burner Type
3.5	Dancing-Fyre™ GreenSmart™ 2
Media Type	Remote
Standard Log	GS2 Standard Inclusion
Accent Lighting	Glass Size
Included	865 wide x 570mm high X 2 sides
Min Framing Size	Installation Type
1118mm wide	Zero Clearance or
666mm deep	Masonry Installation
978mm high**	LPG Conversion Incl
**Frame height from base of firebox	

### Grill Options



Standard Bostonian Grills



Standard Avalon Grills



Standard Arched FPX Grills

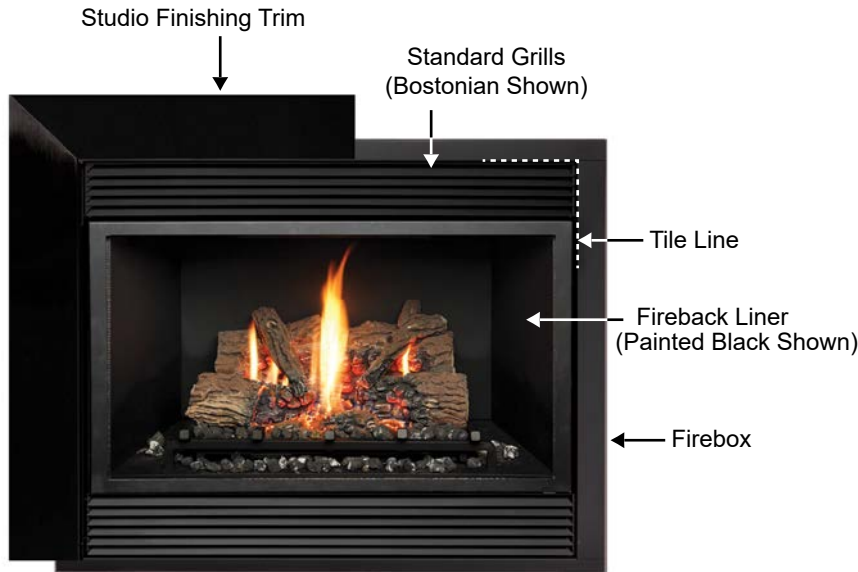


\*Heating capacity varies according to the size of closed off area, ceiling height, floor plan, insulation and outside air temperature

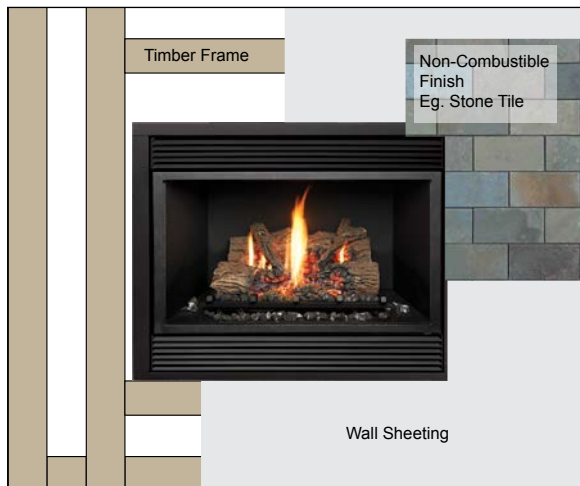


# Fireplace Set-up

After selecting your fireplace here is what to do next!



Choose your grill or face as well as fireback liner and media (if applicable) as seen on pages 12-15. Install your Lopi fireplace in the appropriate situation, some finishing examples are demonstrated below:



**Non-Combustible Material Around the Firebox**  
 In the above example a stone tile is applied over the firebox to create the finished look.

**Required Finishing Options:** Grills  
**Optional Finishing Options:** Face (in lieu of grills)  
 Fireback Liner, Media (if applicable)



**Finishing Trim Around the Firebox**  
 In the above example a 4 sided Studio Trim is used around the firebox on a plasterboard wall to provide the finish.

**Required Finishing Options:** Grills, Studio Trim  
**Optional Finishing Options:** Fireback Liner, Media (if applicable)

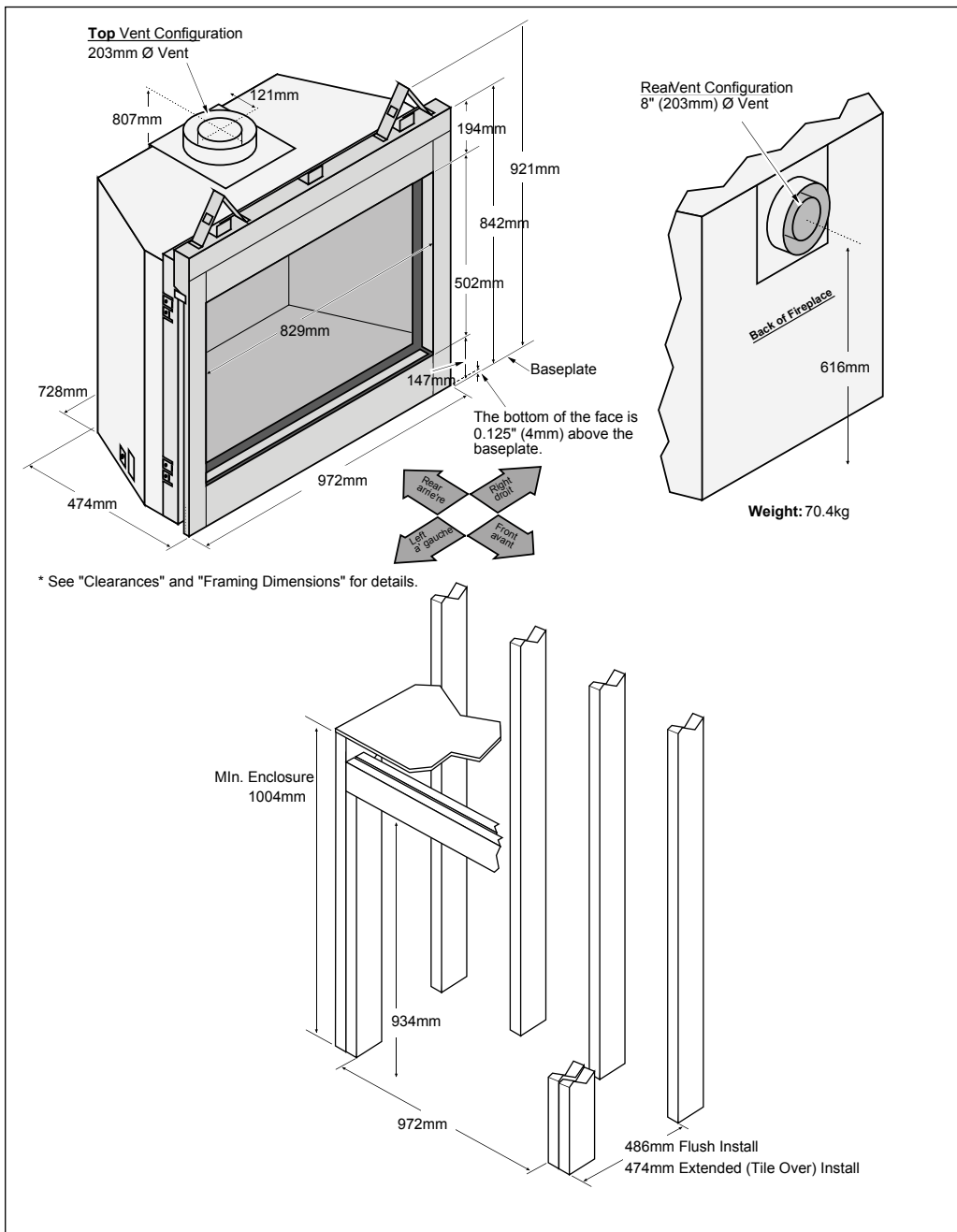


**Mantel with Face Option Over the Firebox**  
 In this example an optional face is used to cover the firebox, and a non-combustible tiled margin extends from under the face to under the mantel.

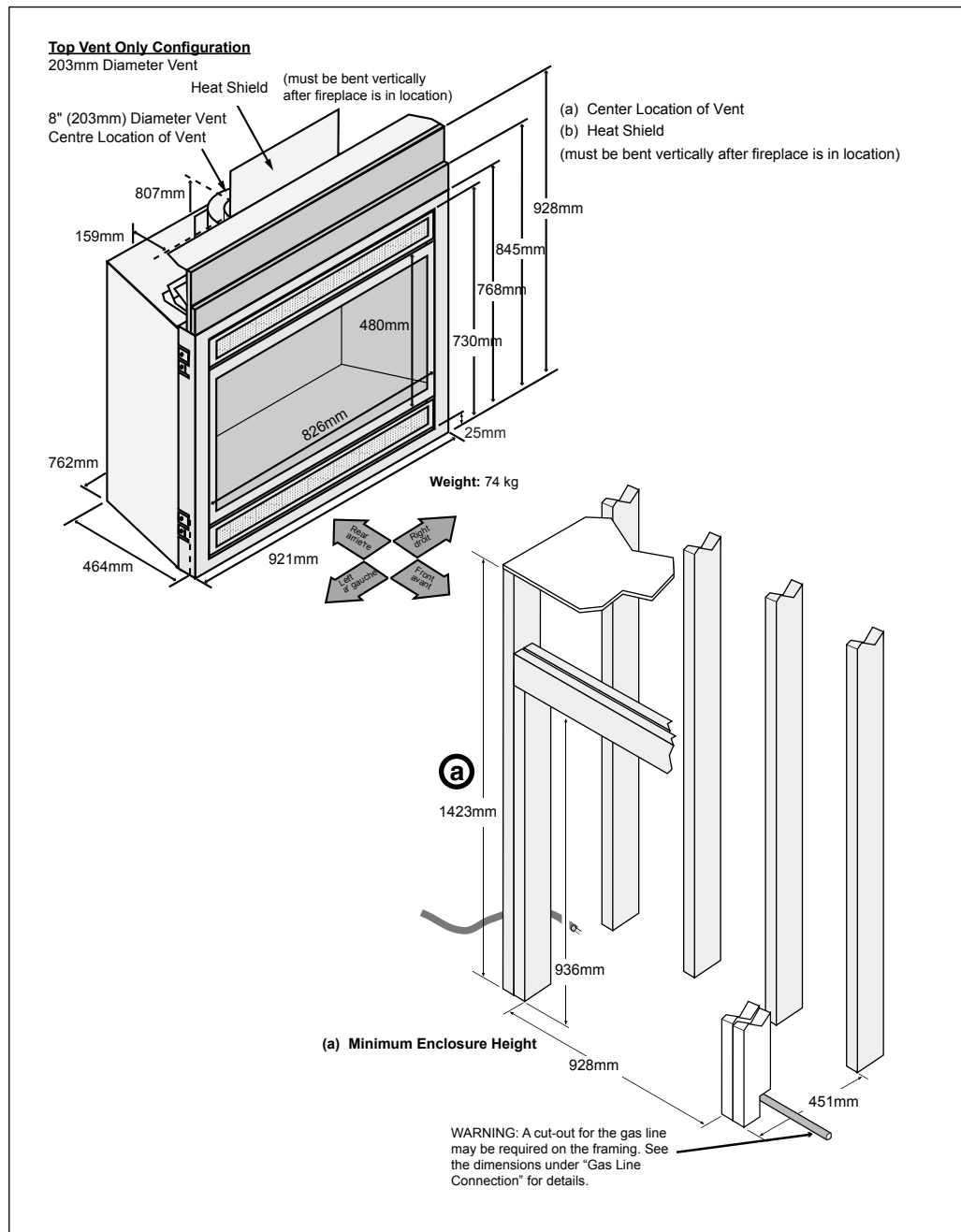
**Required Finishing Options:** Face  
**Optional Finishing Options:** Fireback Liner, Media (if applicable)

# Firebox Dimensions & Framing Details

## 564 GS2 (Clean Face)

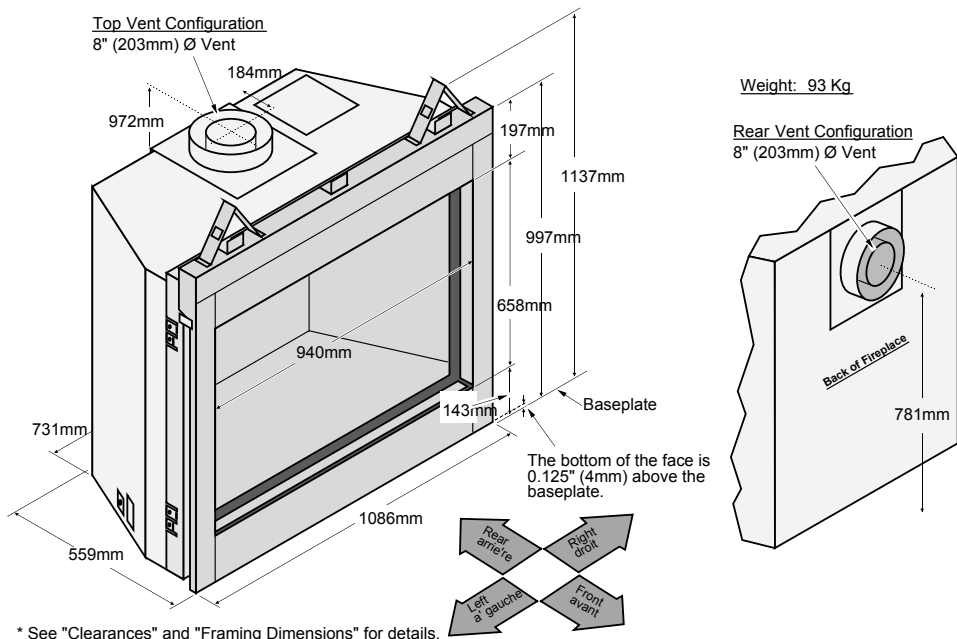


## 564HO GS2



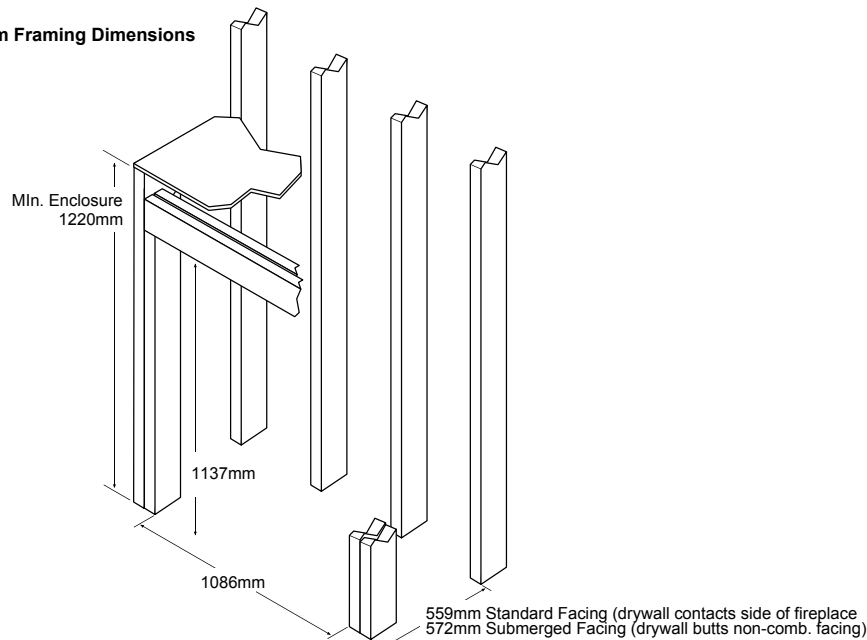
# Firebox Dimensions & Framing Details

## 864 GS2 (Clean Face)

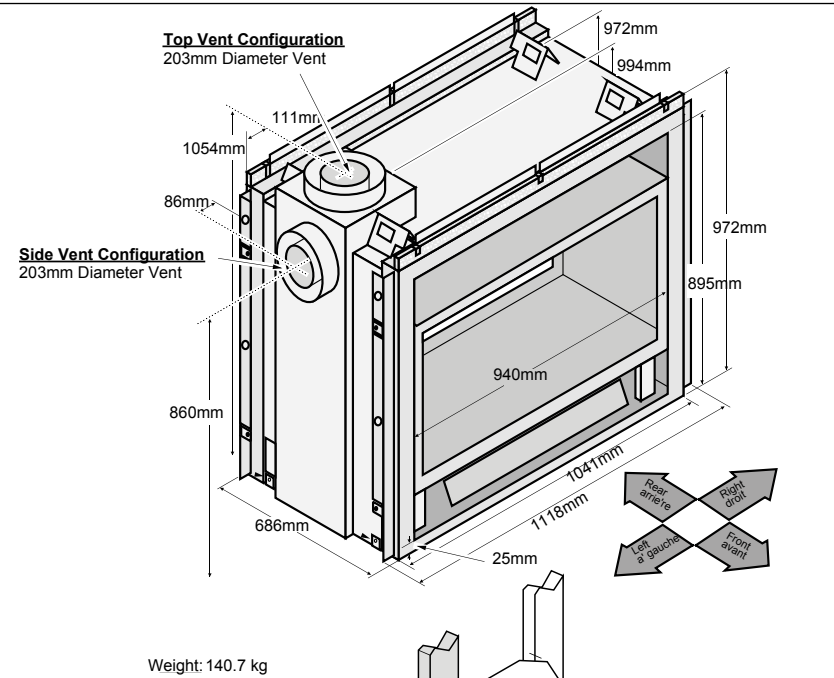


\* See "Clearances" and "Framing Dimensions" for details.

### Minimum Framing Dimensions



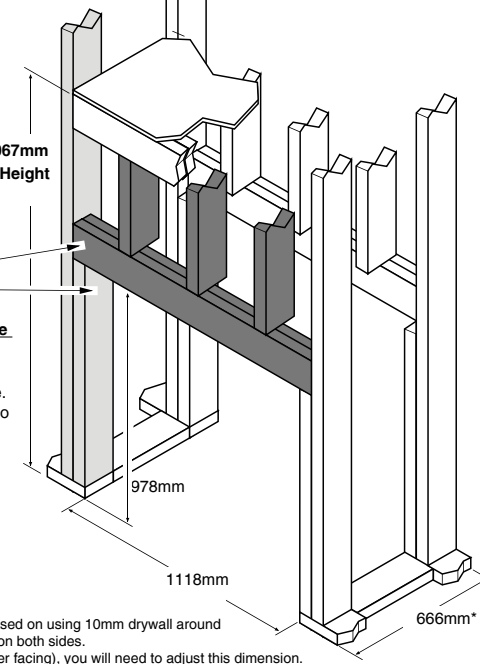
## 864ST GS2



### Minimum 1067mm Fireplace Enclosure Height

**NOTE:**  
**The shaded framing must be installed after placing the fireplace in position.**

The framing above the fireplace interferes with the top of the fireplace. If using the side vent configuration, do not install the framing to the left side (shown in light gray).



\* The 666mm dimension is based on using 10mm drywall around the perimeter of the fireplace on both sides. If using thicker drywall (or other facing), you will need to adjust this dimension.

# Burner, Media & Fireback Liner Options - Lopi 564HO GS2 Model Only

## Dancing-Fyre™ Log Media



Black Painted Liner Only

## Diamond-Fyre™ Burner, Fyre-Stone™ Rock Media



Black Painted Fireback Liner



Back Enamel Fireback Liner



Stainless Steel Fireback Liner

## Diamond-Fyre™ Burner, Driftwood Fire Art Media



Black Painted Fireback Liner



Black Enamel Fireback Liner



Stainless Steel Fireback Liner

## 4 Glass Colour Options Diamond-Fyre™ Burner Only



Black



Platinum



Bronze



Cobalt

## Ember-Fyre™ Log Media



Black Glass Fireback Liner



Diamond Mosaic Fireback Liner



Herringbone Brick Fireback Liner



Straight Brick Fireback Liner



Old World Stucco Fireback Liner



Handmade Brick Fireback Liner



LedgeStone Fireback Liner



Stacked Tan

## Fireback Liner Options - Lopi 564 CF & 864 CF Models Only

Fireback Liners can enhance the appearance of your firebox and can be introduced to suit your home decor. When used in conjunction with the accent lighting shadows or reflections can appear on the fireback liner, this is even effective when the fire is turned off!

All models (except 564HO) ship with the Dancing-Fyre™ Burner and a traditional log-set as standard.



Diamond Mosaic



Black Glass



Stainless Steel



Old World Stucco



LedgeStone



Stacked Tan



Handmade Brick



Straight Brick



Herringbone Brick



No Liner - Black Painted Finish

As standard no fireplace ships with a fireback liner. A liner is optional only (except 564HO) Without a liner the finish is a non reflective black painted finish as seen left.



864CF GS2 Shown with Straight Brick & 10mm Trim

# Finishing Options - Lopi 564HO GS2 & 864ST GS2 Models Only

## Grill Options



Bostonian



Avalon

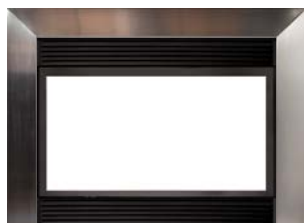


FPX (with removable top arch)

## Finishing Trims



4 Sided Brushed Metal Studio Trim - Black Bostonian Grills



3 Sided Brushed Metal Studio Trim - Black Bostonian Grills



4 Sided Black Studio Trim - Black Bostonian Grills



3 Sided Black Studio Trim - Black Bostonian Grills

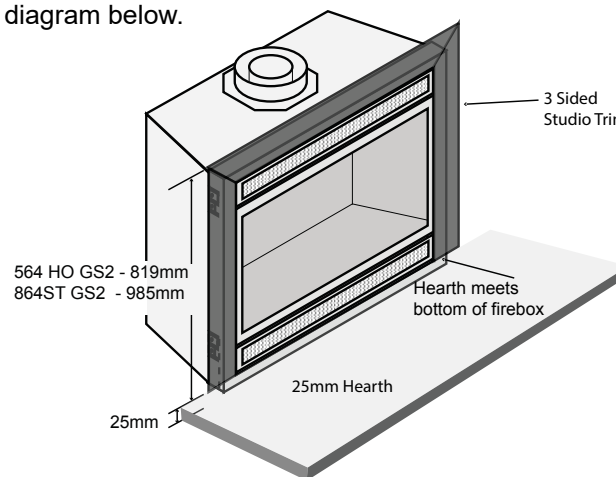
## Studio Finishing Trim Dimensions

564HO GS2	Width	Height
3 Sided Studio Trim	1060mm	819mm
4 Sided Studio Trim	1060mm	937mm

864ST GS2	Width	Height
3 Sided Studio Trim	1175mm	985mm
4 Sided Studio Trim	1175mm	1102mm

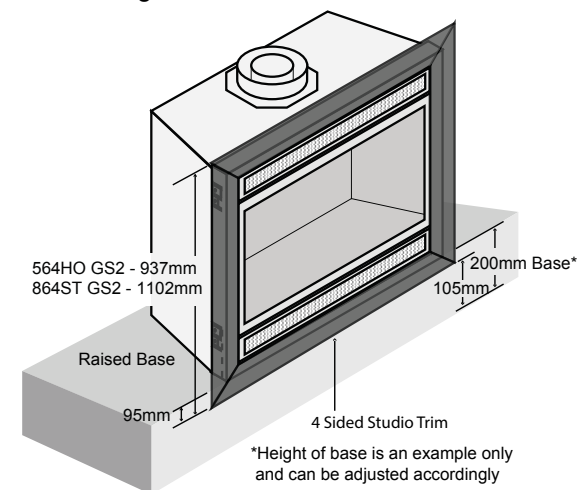
### 3 Sided Studio Trims

The 3 sided Studio trims finish 25mm short of the base of the firebox allowing for a hearth to be pushed up to the firebox and meet the fascia as per the diagram below.



### 4 Sided Studio Trims

The 4 sided Studio trims finish 95mm below the base of the firebox. Please allow for this additional height when creating the raised base for the firebox.



# Finishing Options - Lopi 564HO GS2 & 864ST GS2 Models Only

## Faces

Lopi Faces are available in a range of options to enhance your fireplace. A face fits over the entire firebox thereby giving your fireplace a completely different look to that of the standard grill options seen on page 13.



Shadowbox™ Brushed Metal \*\*\*  
564HO ONLY



Shadowbox™ Black \*\*\* 564HO ONLY



Artisan Black - Hand Hammered \*\*



French Country Black \*\*



Metropolitan Black \*\*



Classic Arch Black \*\*



Legacy Black \*\*  
Also available in Carbon Patina

## Face Dimensions

564HO GS2	Width	Height
Shadowbox™	1149mm	819mm
Legacy	915mm	737mm
Classic, Artisan, French Country	915mm	807mm (top of arch)
Metropolitan	915mm	737mm

864ST GS2	Width	Height
Shadowbox™	1270mm	967mm
Legacy	1041mm	908mm
Classic, Artisan, French Country	1041mm	908mm (top of arch)
Metropolitan	1038mm	905mm

Please note that faces marked with a \*\* require a non-combustible component between the firebox and face to complete the installation. They are ideally suited to be finished with a mantelpiece.

Please consult your Lopi dealer or the installation guide of each face option for more details. All installation guides are available in the documents tab of the relevant product on [www.lopi.com.au](http://www.lopi.com.au)

\*\*\*When used with 864ST GS2 a fibreboard is visible above the Shadowbox™ Face. Removal of this board and use of a non-combustible wall lining may be required. Please consult with your Lopi dealer.



FEATURING

**GreenSmart 2™ Remote**

A remote control is supplied as standard allowing you to control the GreenSmart 2™ features

**GreenSmart™ Pilot**

Both electronic (IPI) & continuous (CPI) pilot modes

**Comfort Control™**

High turn down ratio with unique dual burner

**Accent lighting**

Adding a warm glow to your fire for added atmosphere

**Smart or On/Off Thermostat Modes**

An option that automatically adjusts flame height to a set temperature and to switch on/off

**Variable Speed Blower**

For increased transfer of convection heat

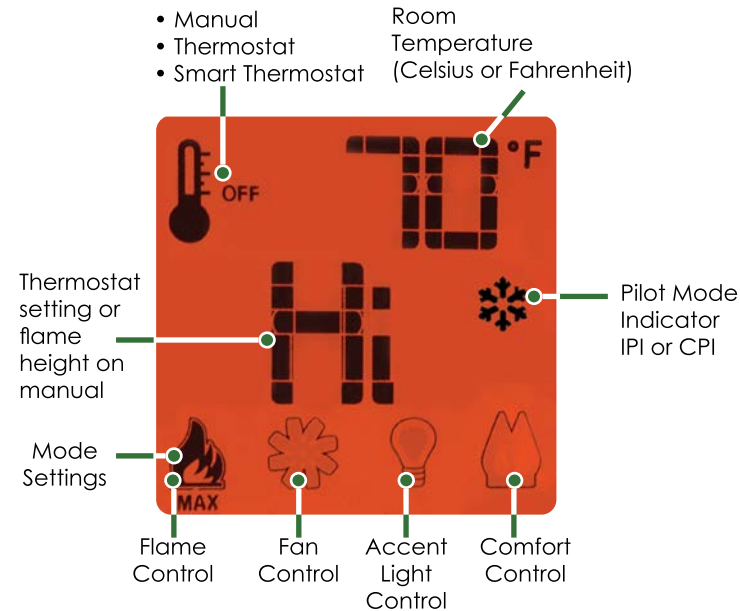
**Glide-Away™ or Drop Down Concealment Door**

The control valve and wires are hidden by a concealment door to provide an elegant, more finished appearance. (Note Manual Operation)



Explore our fireplaces and be inspired at [www.lopi.com.au](http://www.lopi.com.au)

**Remote Features**



Authorised Lopi Dealer:

**Note:** Improper installation of your gas appliance or failure to operate it in accordance to the guidelines detailed in the installation manual may negate warranty and endanger your home and family. Installation information is available on our website at [www.lopi.com.au](http://www.lopi.com.au) We recommend all Lopi appliances be installed and maintained on an annual basis by your local authorised Lopi dealer.



Proudly Supporting



STEVE WAUGH FOUNDATION  
[www.stevewaughfoundation.com.au](http://www.stevewaughfoundation.com.au)



Distributed in Australia by Dragon Wholesaling Pty Ltd  
Ph. 1800 064 234  
[www.lopi.com.au](http://www.lopi.com.au)