

QUADRA-FIRE[®]

NOTHING BURNS LIKE A QUAD

heatilator[®]
ECOCHOICE[™]



Australia's most efficient wood heaters

Discovery 31LE/M

Feature packed in a convenient design

- FEATURES:
- Automatic Combustion Control (ACC)
 - Patented four point burn technology
 - Cast iron door
 - 8mm active cook top
 - Solid 6-8mm steel construction
 - Most comprehensive warranty on the market
 - Large ash lip



31 Millennium

The 31LE Millennium wood stove celebrates the 25th anniversary of the best-selling 3100 Millennium wood stove. The unique design features an integrated wood storage area, together with all the QuadraFire features and technology... plus the added feature of optional tiled side panels to enhance the overall appearance and complement its surrounds.



AVE BURN TIME
10hrs



AVE EFFICIENCY
71%



PEAK EFFICIENCY
83%



EMISSIONS
1.4g/kg



HEATING CAPACITY
up to 27sq



MAX LOG LENGTH
450mm

Explorer II & III

Feature packed in a convenient design

- FEATURES:
- Automatic Combustion Control (ACC)
 - Patented four point burn technology
 - Cast over steel
 - Solid 6-8mm steel construction
 - Most comprehensive warranty on the market
 - Top load feature (Explorer III)



Top Load (Explorer III)

Achieve maximum heat and a clean burn with the Quadra-Fire Four Point Burn System. Eliminate the hassle, simply load the wood, light the fire and walk away. Featuring quick and easy cleaning with the Ash Removal System (ARS), and the top load feature (Explorer III) makes it easier to build and maintain your fire. The Explorer is the most durable in its category - enjoy the looks and performance of cast iron, with a solid steel welded firebox built to last.



AVE BURN TIME
EX II 10hrs
EX III 16hrs



AVE EFFICIENCY
EX II 72%
EX III 67%



PEAK EFFICIENCY
EX II 87%
EX III 91%



EMISSIONS
EX II 0.6g/kg
EX III 1.2g/kg



HEATING CAPACITY
EX II up to 27sq
EX III up to 35sq



MAX LOG LENGTH
EX II 450mm
EX III 480mm

4300 Millennium

Longer burns with impressive heat output

- FEATURES:
- Automatic Combustion Control (ACC)
 - Patented four point burn technology
 - 8mm active cook top
 - Cast iron door
 - Solid 6-8mm steel construction
 - Most comprehensive warranty on the market
 - Large ash lip

The functional design of the 4300 Millennium wood stove allows it to combine true performance with stylish good looks. The Automatic Combustion Control (ACC), offers truly controllable heat output, cleaner emissions and higher efficiency. This larger unit allows you to load, light and burn longer...



AVE BURN TIME
12hrs



AVE EFFICIENCY
78%



PEAK EFFICIENCY
89%



EMISSIONS
2.5g/kg



HEATING CAPACITY
up to 30 sq



MAX LOG LENGTH
460 mm



5700 Step Top

Largest unit in the range plus extra long burn time

- FEATURES:
- Versatile Step Top design
 - Automatic Combustion Control (ACC)
 - Patented four point burn technology
 - 8mm active cook top
 - Cast iron door
 - Solid 6-8mm steel construction
 - Legs or pedestal
 - Ash removal system

The largest freestanding stove in the range, the 5700 Step Top delivers high efficiency and low emissions, PLUS a maximum burn time of 21hrs. The durable steel construction, convenient ash removal system and patented four-point combustion technology ensures that this unit will deliver exceptional performance for many years to come - backed by the most comprehensive warranty on the market!



AVE BURN TIME
21hrs



AVE EFFICIENCY
65%



PEAK EFFICIENCY
73%



EMISSIONS
1.5g/kg



HEATING CAPACITY
up to 37sq



MAX LOG LENGTH
480 mm



Voyageur Grand ACC Insert



Standard Trim outer dimensions = 1092x787

The Voyageur Grand wood burning insert features all the proven Quadra-Fire technology to achieve long, clean burns and powerful, efficient heat. Heavy duty cast iron construction and accelerated life cycle testing make the Voyageur Grand an attractive heating option.

A Zero Clearance option is also available for new constructions.

FEATURES:

- Up to 8-10 hour burn time from a single load of wood
- Cast iron finish
- Thermo Fan standard
- **Zero Clearance option available**



AVE BURN TIME
10hrs



AVE EFFICIENCY
63%



PEAK EFFICIENCY
81%



EMISSIONS
2.0g/kg



HEATING CAPACITY
up to 27sq



MAX LOG LENGTH
560mm

VOYAGEUR GRAND Specifications

MODEL	WIDTH		HEIGHT		DEPTH	WEIGHT
	Opening	Unit Back	Opening	Into Fireplace	Unit only	Unit only
VOYAGEUR GRAND	829	603	597	456		180kgs

Turn up the heat with Advanced Combustion Technology

HOT FAST FIRES!

Air feeds directly into the coal bed, the heart of the fire, to provide quick startup and a complete burn.

BEAUTIFUL FLAME BEHIND YOUR GLASS!

Air is drawn in above the glass, creating a curtain of air that helps keep the large window clean.

Limited Lifetime Warranty

Quadra-Fire offers a Limited Lifetime Warranty of 10 yrs on our wood heating appliances, 3 years on labour.



AMAZING CEILING OF FIRE!

Air is superheated and injected under the baffle, igniting the flammable gases rising from the wood, releasing more heat and reducing emissions.

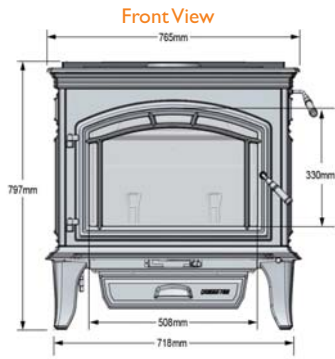
SUPER CLEAN BURN!

Jets of pre-heated air provide oxygen to the area just above the baffle, igniting almost all remaining impurities from the wood and capturing heat that normally escapes up the chimney.

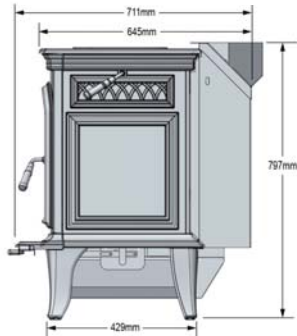
ULTRA LOW EMISSIONS • DUAL AIR CONTROL for unmatched performance

QUADRA-FIRE Freestanding - Specifications

Explorer III

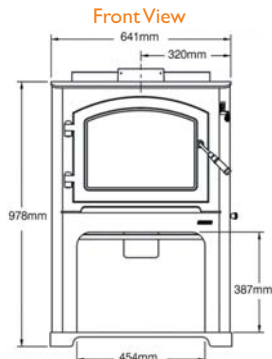


Side View

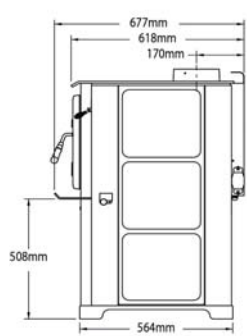


Heating Capacity	up to 35sq
Average Efficiency	67%
Average Emissions	1.2G/KG
Maximum Burn Time	16 hrs

31LE ACC

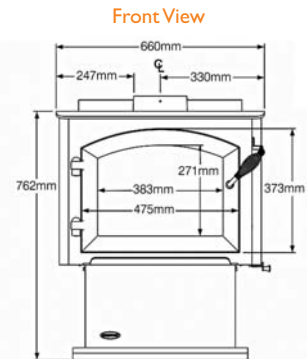


Side View

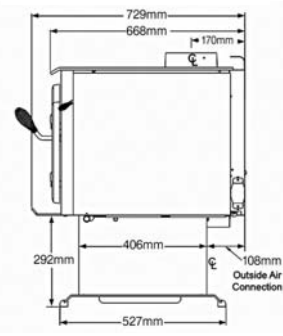


Heating Capacity	up to 27sq
Average Efficiency	71%
Average Emissions	1.4G/KG
Maximum Burn Time	8-10 hrs

4300 Millenium ACC

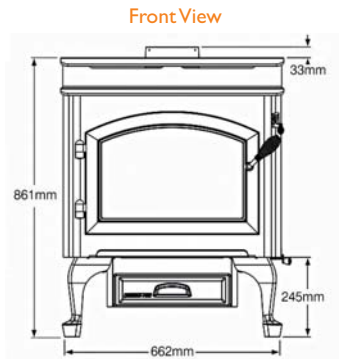


Side View

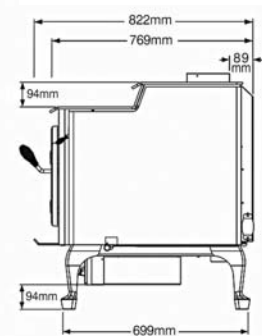


Heating Capacity	up to 30sq
Average Efficiency	78%
Average Emissions	2.5G/KG
Maximum Burn Time	10-12 hrs

5700 Step Top ACC



Side View



Heating Capacity	up to 37sq
Average Efficiency	65%
Average Emissions	1.5G/KG
Maximum Burn Time	15-21 hrs

- PLEASE NOTE:**
- Step-Top models are available with either legs or pedestal
 - Above dimensions are for reference only. We recommend measuring individual units at installation. Refer to installation manual for detailed specifications on installing this product.
 - Quadra-Fire reserves the right to update products and/or specifications periodically.
 - The images and descriptions in this brochure are provided to assist in product selection only.

QUAD BURN 4X



AUTOMATIC COMBUSTION CONTROL

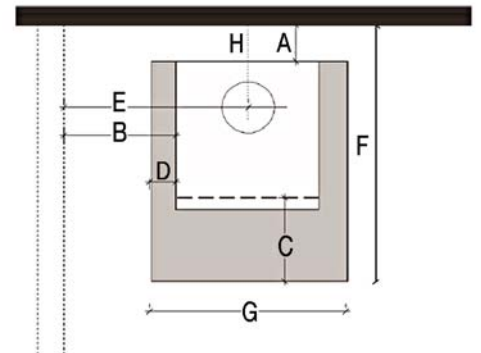


QUADRA-FIRE FREESTANDING UNIT CLEARANCES

PARALLEL POSITIONING

With Australian default flue kit fitted

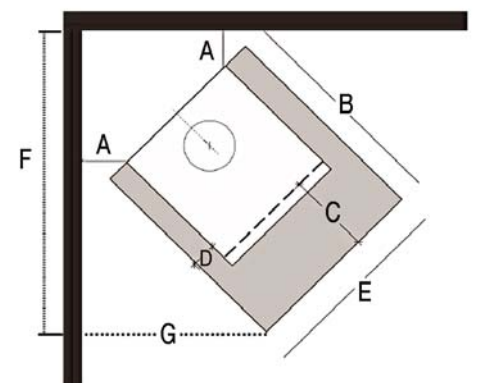
	EXPLORER II	EXPLORER II with heat shield	EXPLORER III	EXPLORER III with heat shield	31M/31LE	4300	5700ST
A	250	200	250	150	175	200	200
B	350		400		360	400	330
C	550		320		300	300	450
D	80		60		80	69	76
E	716		783		668	730	673
F	1485	1435	1210	1110	1062	1133	1410
G	890		885		800	798	850
H	350	300	350	250	345	370	365



CORNER POSITIONING

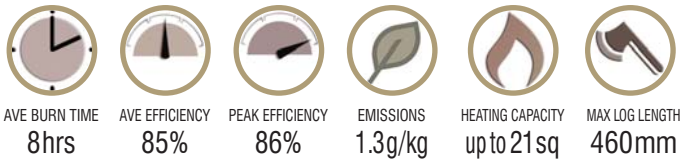
With Australian default flue kit fitted

	EXPLORER II	EXPLORER II with heat shield	EXPLORER III	31M/31LE	4300	5700ST
A	275	175	175	225	250	100
B	1235	1235	960	887	933	1210
C	550		320	300	300	450
D	80		60	80	69	76
E	890		885	800	798	850
F	1740	1625	1400	1322	1380	
G	1120	965	765	756	910	

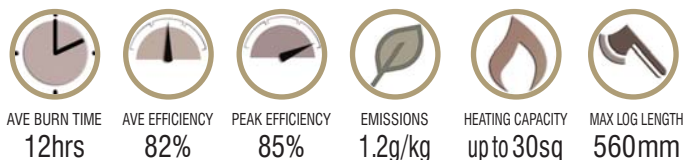


ULTRA LOW EMISSIONS - AS/NZS Compliant 2019*

WS18-AU Wood Stove



WS22-AU Wood Stove

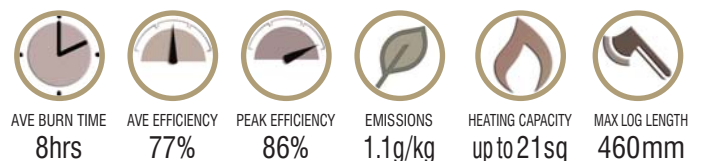


WINS18-AU Wood Insert



The WINS18 Insert offers all the features that the Heatilator range is known for:

- Ultra Low emissions - Compliant with 2019 standards
- Both Primary and Secondary combustion technology for a cleaner burn and significantly less maintenance
- Wide opening door with single lever operation
- An air wash system to keep the glass clean
- **ZERO CLEARANCE OPTION AVAILABLE**



All Heatilator units are
AS/NZS COMPLIANT 2019
ULTRA LOW EMISSIONS

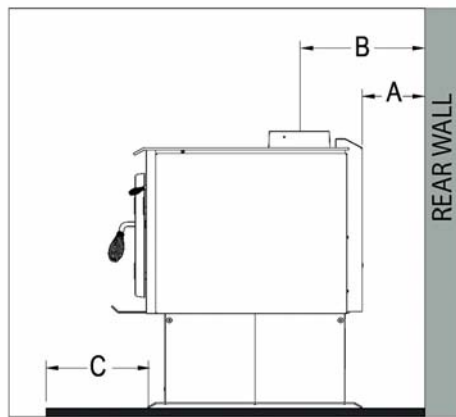
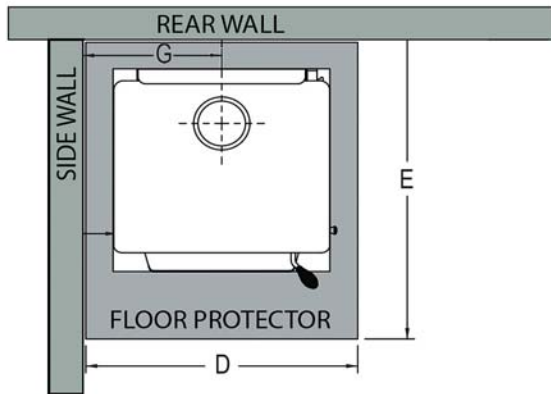
WS18 Specifications	
Width	635mm
Height	736mm
Depth	673mm
Weight	145kgs

WS22 Specifications	
Width	660mm
Height	863mm
Depth	781mm
Weight	185kgs

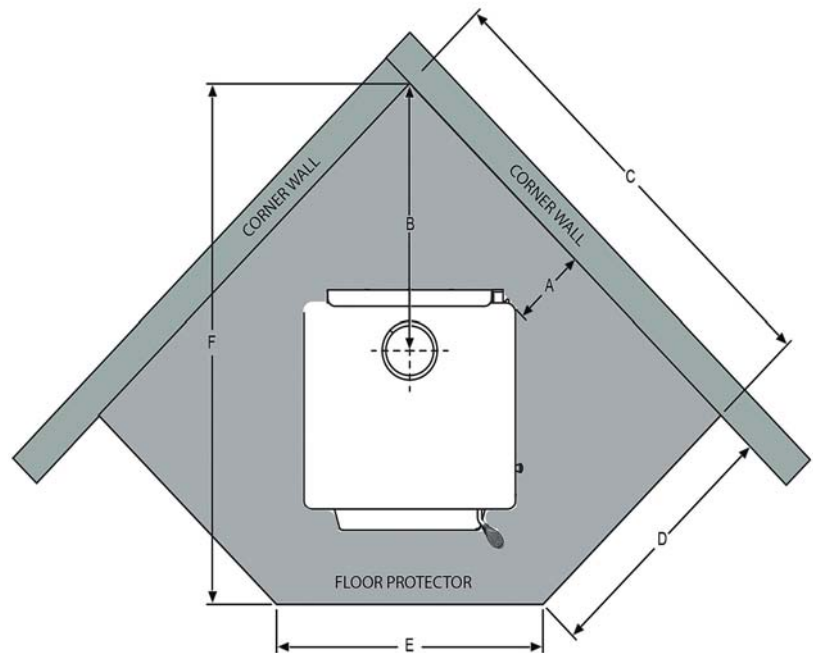
WINS18 Specifications	
Min. Firebox Opening - Front Width	622mm
Min. Firebox Opening - Back Width	622mm
Min. Firebox Opening - Height	546mm
Min. Firebox Opening - Depth	406mm
Weight	153kgs

CLEARANCES

PARALLEL POSITIONING



CORNER POSITIONING (45°)



DESCRIPTION	Default Flue Kit		Default Flue Kit with Flue Shield (WS22 ONLY)
	WS18	WS22	
A Min. clearance from back of unit to rear wall	175	300	100
B Min. clearance from centre of spigot to rear wall	345	468	268
C Min. distance from front of base to floor protector front	300	300	300
D Min. floor protector front width	800	800	800
E Min. distance from rear wall to front of floor protector	1087	1320	1120
F Min. distance from unit side to side wall	300	400	400
G Min. clearance from centre of spigot to side wall	618	730	730

DESCRIPTION	Default Flue Kit	
	WS18	WS22 with Flue Shield
A Min. clearance from firebox corner to walls	155	75
B Min. distance from centre of spigot to corner	707	604
C Min. distance from corner wall to floor protector front	1269	1273
D Min. floor protector projection from corner wall	780	786
E Min. floor protector front width	692	688
F Min. overall floor protector depth	1449	1456

Australia's most efficient Slow Combustion Fires!

The Quadra-Fire and Heatilator range of wood fires boasts unmatched efficiency and technology for its 8 models, with the Quadra-Fire 5700 Step Top boasting an unheard of maximum 21 hours burn time from a single load of wood. The Heatilator range includes 2 freestanders and an insert - with the WS18 laying claim to **Australia's most efficient wood fireplace**, and the WINS18 claiming the mantle of **Australia's most efficient wood insert!**

Our exclusive Automatic Combustion Control system turns you into a professional fire builder. Whether you are starting a cold stove, or reloading for the long burn, the automatic combustion control provides all the extra air to start the burning process, and then turns the stove down to your desired rate.

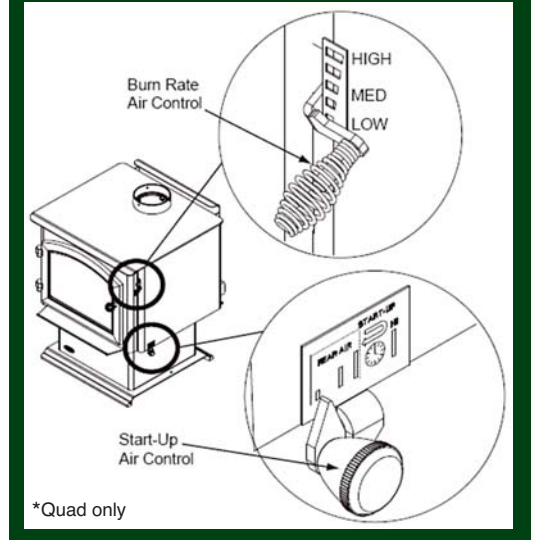
Patented Combustion System

Quadra-Fire patented four-point combustion system burns the smoke just like fuel in four distinct zones of the combustion chamber. In each of these zones, potential heat that would normally escape up the chimney of a conventional wood stove is, instead, captured to warm your home. This means cleaner air, less chimney maintenance, and fewer trips to the woodpile.

Tested and Approved

The Quadra-Fire and Heatilator wood burning range has been tested and approved to Australian Emission and Thermal Standard AS/NZ 4012/13, and Clearance Standard AS/NZ 2918.

AUTOMATIC COMBUSTION CONTROL For a perfect fire every time!*



CLEAN, EFFICIENT WOOD FIRES WITH OUTSTANDING FEATURES:

Australia's most efficient fireplace (WS18)

Australia's most efficient and cleanest burning insert fireplace (WINS18)

An air wash system to keep the glass clean

Four Point Combustion Technology for cleaner burns and less maintenance

15 YEAR WARRANTY Most comprehensive on the market

NO CATALYTIC CONVERTER

The graphic block contains three panels. The first panel shows a sun and a house with the text 'UP TO 21 HOURS BURN TIME'. The second panel shows a scale with 10% on the left, an equals sign, and a scale with 1 TONNE on the right. The third panel shows 85% EFFICIENCY on the left, an equals sign, and a scale with 2 TONNE PER YEAR on the right. Below the panels, a caption reads: 'The Quad 57ST will give you a maximum 21hr burn time A 10% saving translates to approximately a tonne of wood A wood fire achieving 85% efficiency should save you 2 tonne of wood a year'.

HEAT & GLO



PLEASE CONTACT US AT:
444 SWAN ST RICHMOND
PH: 1300 219 875

EMAIL: info@jetmastervic.com.au

WEB: jetmastervic.com.au

QUADRA-FIRE
NOTHING BURNS LIKE A QUAD

