

Owner's Manual

Model

DF2608-EU

DF2608-AU

6904700000

EN

RU

UA

FR

ES

IT

DE








PL

IMPORTANT SAFETY INFORMATION: Always read this manual first before attempting to install or use this fireplace. For your safety, always comply with all warnings and safety instructions contained in this manual to prevent personal injury or property damage.

7209340100R03





Table of Contents

-  **Welcome & Congratulations 3**
-  **IMPORTANT INSTRUCTIONS 4**
-  **Site Selection and Preparation 6**
-  **Fireplace Installation 7**
-  **Operation 9**
-  **Maintenance 11**
-  **Warranty 14**

Always use a qualified technician or service agency to repair this fireplace.

! **NOTE:** Procedures and techniques that are considered important enough to emphasize.

 **CAUTION:** Procedures and techniques which, if not carefully followed, will result in damage to the equipment.

 **WARNING:** Procedures and techniques which, if not carefully followed, will expose the user to the risk of fire, serious injury, or death.

① Welcome & Congratulations

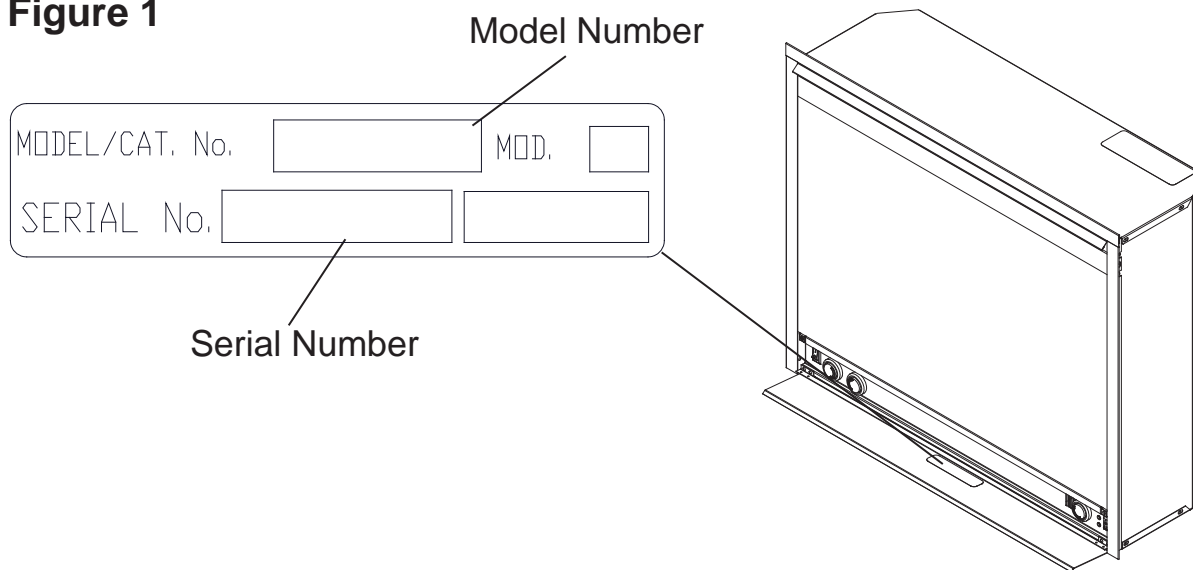
Thank you and congratulations for choosing to purchase an electric fireplace from Dimplex, the world leader in electric fireplaces.

Please carefully read and save these instructions.

⚠ CAUTION: Read all instructions and warnings carefully before starting installation. Failure to follow these instructions may result in a possible electric shock, fire hazard and will void the warranty.

Please record your model and serial numbers below for future reference: model and serial numbers can be found on the Model and Serial Number Label of your fireplace.

Figure 1





IMPORTANT INSTRUCTIONS

When using electrical appliances, basic precautions should always be followed to reduce the risk of fire, electric shock, and injury to persons, including the following:

- ① Read all instructions before using this appliance.
- ② This fireplace is hot when in use. To avoid burns, do not let bare skin touch hot surfaces. The trim around the heater outlet becomes hot during heater operation. Keep combustible materials, such as furniture, pillows, bedding, papers, clothes, and curtains at least 0.9 m (3 feet) from the front of the unit.
- ③ Extreme caution is necessary when any heater is used by or near children or invalids and whenever the unit is left operating and unattended.
- ④ Young children should be supervised to ensure that they do not play with the appliance.
- ⑤ This appliance is not intended for use by persons (including children) with reduced physical, sensory or mental capabilities, or lack of experience and knowledge, unless they have been given supervision or instruction concerning the use of the appliance by a person responsible for their safety.
- ⑥ The appliance must be positioned so that the plug is accessible.
- ⑦ Always unplug the electric fireplace when not in use.
- ⑧ If the supply cord is damaged, it must be replaced by the manufacturer, or its service agent, or a qualified person in order to avoid a hazard.
- ⑨ Do not operate any unit with a damaged cord or plug, or if the heater has malfunctioned, or if the electric fireplace has been dropped or damaged in any manner. Return heater to authorized service facility for examination, electrical or mechanical adjustment, or repair.
- ⑩ Do not use outdoors.
- ⑪ Do not use this fireplace in the immediate surroundings of a bath, a shower or a swimming pool.
- ⑫ Do not install the fireplace directly on carpet or a similar surface which may restrict air circulation beneath the unit.
- ⑬ Do not run the cord under carpeting. Do not cover cord with throw rugs, runners, or the like. Arrange cord away from traffic area and where it will not be tripped over.
- ⑭ Do not locate the heater immediately below a fixed socket-outlet.
- ⑮ Do not locate the appliance in front of a fixed socket-outlet.

IMPORTANT INSTRUCTIONS

- ⑩ To disconnect the fireplace, turn the controls off, then remove the plug from the outlet.
 - ⑪ Do not insert or allow foreign objects to enter any ventilation or exhaust opening as this may cause an electric shock or fire, or damage to the heater.
 - ⑫ To prevent a possible fire, do not block air intake or exhaust in any manner. Do not use on soft surfaces, like a bed, where openings may become blocked.
 - ⑬ All electrical heaters have hot and arcing or sparking parts inside. Do not use in areas where gasoline, paint, or flammable liquids are used or stored or where the unit will be exposed to flammable vapors.
 - ⑭ Do not modify the electric fireplace. Use it only as described in this manual. Any other use not recommended by the manufacturer may cause fire, electric shock or injury to persons.
 - ⑮ Avoid the use of an extension cord. Extension cords may overheat and cause a risk of fire. If you must use an extension cord, the cord must be 3-core type and have a rating no less than 10 Amps.
 - ⑯ Do not burn wood or other materials in the electric fireplace.
 - ⑰ Do not strike the fireplace glass.
 - ⑱ Always use a certified electrician should new circuits or outlets be required.
 - ⑲ Always use properly grounded and fused outlets.
 - ⑳ Disconnect all power supply before performing any cleaning, maintenance or relocation of the unit.
 - ㉑ When transporting or storing the unit and cord, keep in a dry place, free from excessive vibration and store so as to avoid damage.
-  **WARNING:** In order to avoid overheating, do not cover the heater

The heater carries the Warning Symbol  indicating that it must not be covered

SAVE THESE INSTRUCTIONS

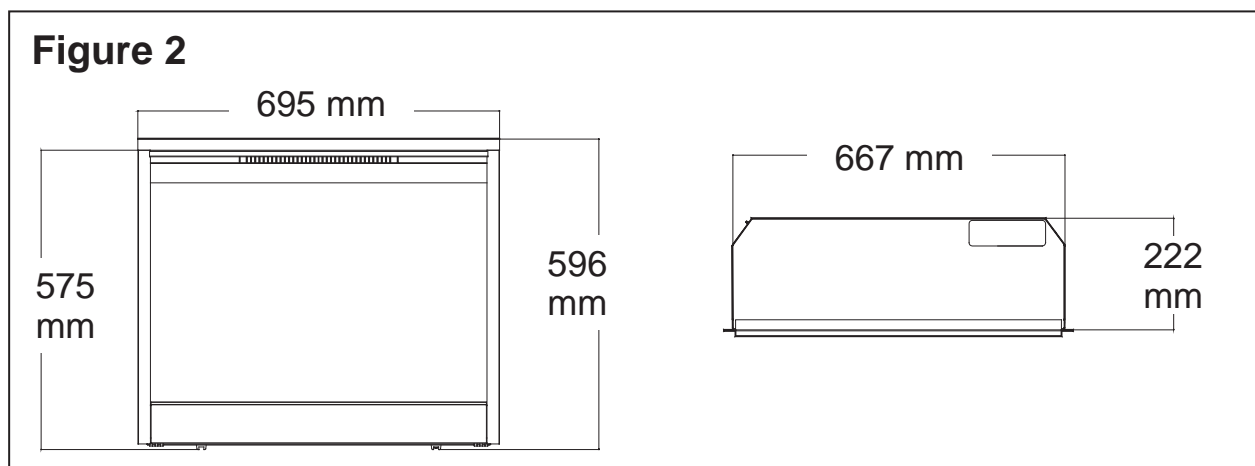
Site Selection and Preparation

This section provides instructions for selecting a location and preparing the site to install the fireplace into your Dimplex mantel surround.

1. Select a suitable location that is not susceptible to moisture and is away from drapes, furniture and high traffic.
2. For ease of electrical hook up you may wish to locate the fireplace near an existing outlet (refer to NOTE 1).
3. Store the fireplace in a safe, dry and dust free location.

⚠ CAUTION: Clearance for air circulation beneath the fireplace is provided by two spacers. **DO NOT INSTALL FIREPLACE DIRECTLY ON CARPET OR SIMILAR SURFACES WHICH MAY RESTRICT AIR CIRCULATION.** If installing the fireplace in a carpeted area, place a one-piece, solid flat surface under the fireplace. Ensure that all feet rest securely on this surface.

! NOTE: The dimensions of the fireplace are 667 mm wide X 575 mm high X 222 mm deep. The fireplace does not require any additional venting. With trim, the dimensions are 695 mm wide X 596 mm high X 222 mm deep.



Fireplace Installation

⚠ WARNING: Ensure the power cord is not installed so that it is pinched or against a sharp edge and ensure that the power cord is stored or secured to avoid tripping or snagging to reduce the risk of fire, electric shock or injury to persons.

Construction and electrical outlet wiring must comply with local building codes and other applicable regulations to reduce the risk of fire, electric shock and injury to persons.

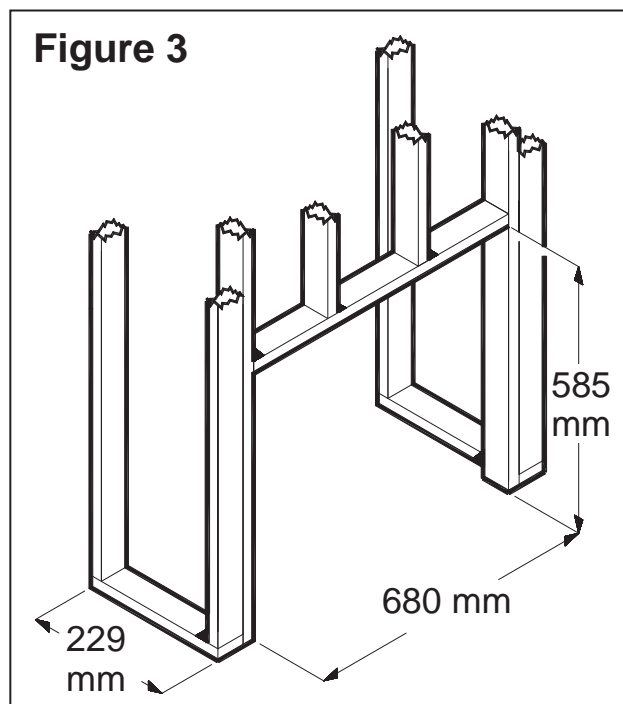
Do not attempt to wire your own new outlets or circuits. To reduce the risk of fire, electric shock or injury to persons,

always use a licensed electrician.

Install the fireplace assembly into the mantel (refer to mantel assembly instructions).

! **NOTE:** A 10 Amp, 240 Volt circuit is required. A dedicated circuit is preferred but not essential in all cases. A dedicated circuit will be required if after installation the circuit breaker trips or fuse blows on a regular basis when the heater is operating. Additional appliances on the same circuit may exceed the current rating of the circuit breaker.

! **IMPORTANT:** If not using a Dimplex mantel, the fireplace must be installed in an enclosure with the following **MINIMUM** dimensions(Figure 3).



New Wall Construction

1. Select a suitable location that is not susceptible to moisture and is away from drapes, furniture and high traffic.
2. Place the fireplace in the desired location to see how it will look in the room.
3. Mark the desired location on the floor.

Fireplace Installation

4. Use studs to frame an opening of 680 mm wide X 585 mm high X 229 mm deep.

Option #1

The power cord can be run from behind the trim and along the wall to an outlet near the fireplace.

Option #2

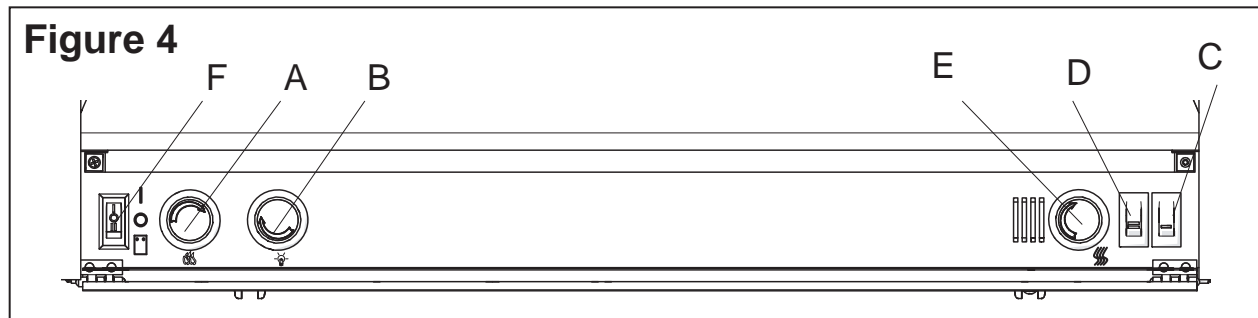
A new outlet can be installed inside the framing construction. Plug the fireplace into a 10 Amp/240 Volt outlet. If the cord does not reach you may use a 3-core type extension cord rated for a minimum of 10 Amps.

Existing Fireplace:

1. Seal all drafts and vents with a non-fibrous insulation material to prevent any chimney debris from falling onto the fireplace. Do not install into an existing fireplace that is prone to dampness.
2. Cap the top of the chimney flue to prevent rain from entering.
3. Plan your electric power supply.
4. The power cord can run along the front of the hearth to an outlet near the fireplace.

⚠ CAUTION: Clearance for air circulation beneath the fireplace insert is provided by two spacers. **Do not install the fireplace insert directly on carpet or similar surfaces which may restrict air circulation.** If installing the fireplace in a carpeted area, place a one-piece, solid, flat surface under the fireplace insert. Ensure that all three of the insert's feet rest securely on this surface.

Operation



Manual Control

The manual controls for the fireplace are behind the access panel located at the bottom of the fireplace (Figure 4).

A. Flame Action Control

Turn the flame action control knob to adjust the flame speed to the desired level.

B. Interior Light Control

Turn the interior light control knob to increase or decrease the brightness of the interior light.

C. Level 1 Heat

Provides heat output from one element.

D. Level 2 Heat

Provides heat output from both elements.

! **NOTE:** This switch must be in the ON (I) position for heater to operate with or without heat.


E. Heater Thermostat Control


To adjust the temperature to your individual requirements, turn the


thermostat control clockwise all the way to turn on the heater.

When the room reaches the desired temperature, turn the thermostat knob counter clockwise until you hear a click. Leave in this position to maintain the room temperature at its setting. For additional heat, turn clockwise until you hear the click again and the heater will turn on. To turn the heater off, rotate the knob fully counter clockwise.

F. Main Three Position Switch

The switch has two ON positions marked with  and "I". The "I" position is for manual operation. In this position the built-in remote control is by-passed.

The  position is for operating the unit with the provided remote control.

When in  position, the unit is operated with the ON and OFF buttons of the remote control.

When the switch is in the center

Operation

position the unit is off.

Resetting the Temperature Cut-off Switch

This unit is equipped with a thermostat which controls the temperature of the room by turning the heater on and off. The heater is protected with a safety device to prevent overheating. Should the heater overheat, an automatic cut out will turn the heater off and it will not come back on without being reset. It can be reset by switching the Main Switch to "O" and waiting 5 minutes before switching the unit back on.

⚠ CAUTION: If you need to continuously reset the heater, unplug the unit and call customer service. Please have your model and serial number ready when calling.

! **NOTE:** The heater may emit a slight, harmless odor when first used. This odor is a normal condition caused by initial heating of internal heater parts and will not occur again.

Remote Control (Figure 5)

The fireplace is supplied with an integrated on/off remote control. Where the maximum range of use is ~5m.

⚡ WARNING: It takes time for the receiver to respond to the transmitter. Do not press the buttons more than once within two seconds for correct operation.

! **NOTE: Ensure that the fireplace 3 position switch is set to the remote control setting (up position).**

To operate, push the ON button to turn fireplace on, push the OFF button to turn the fireplace off.

Battery Replacement

To replace the battery:

1. Slide battery cover open on the back of the remote control.
2. Install AAA batteries into the remote control.
3. Replace the battery cover.

Discard leaky batteries. Dispose

Figure 5



Operation

of batteries in the proper manner according to provincial and local regulations. Any battery may leak electrolyte if mixed with a different battery type, if inserted incorrectly, if all the batteries are not replaced at the same time, if disposed of in

a fire, or if an attempt is made to charge a battery not intended to be recharged.

Maintenance

⚠ WARNING: Disconnect the power before attempting any maintenance or cleaning to reduce the risk of fire, electric shock or damage to persons.

Light Bulb Replacement

Allow at least five minutes for the light bulbs to cool before touching them to avoid accidental burning of the skin. The light bulbs need to be replaced when you notice a dark section of the flame or when the clarity and detail of the log ember bed exterior reduces. There are three bulbs under the log set, which generate the flames and embers, and two bulbs above the log that illuminate the log exterior.

Lower Light Bulb Requirements

Quantity of three clear chandelier or candelabra bulbs with an

E-14 (small) socket base, 60 Watt rating. **Do not exceed 60 Watts per bulb**

Helpful Hints: It is a good idea to replace all light bulbs at one time if they are close to the end of their rated life. Group replacement will reduce the number of times you need to open the unit to replace light bulbs. Care must be taken when removing the log set as the log set contains LED's and wires.

To access the lower light bulb area:

1. Slide fireplace out of mantel.
2. Lay unit on its back for safe removal of front glass.
3. Remove four Phillips screws from the right side of trim.
4. Remove trim.
5. Slide glass to right side of



Maintenance

Figure 6

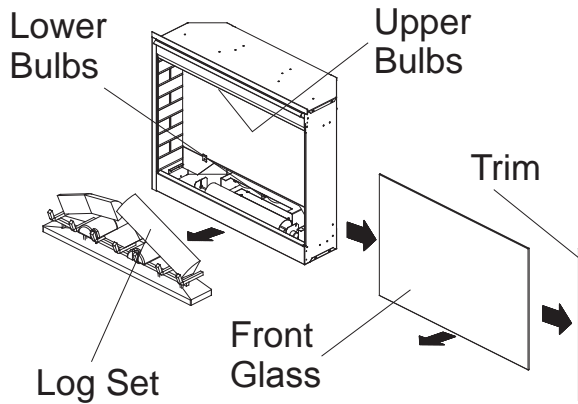
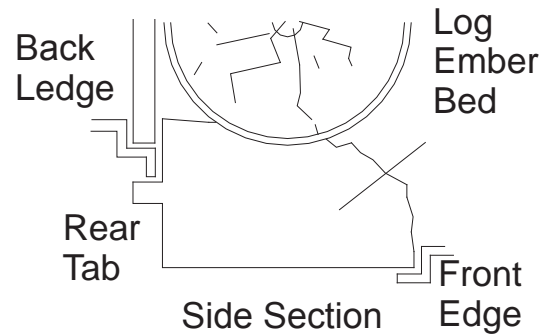


Figure 7



fireplace to remove (Figure 6).

6. Pull the front edge of the plastic ember bed or plastic grate up and forward until the rear tab releases from the ledge located at the bottom of the mirror (Figure 7).
7. Remove flicker rod by sliding flicker rod to the left away from the flicker motor and lifting out.
8. Remove light bracket for easier access to light bulbs.
! **IMPORTANT:** Only handle the log set by the ember bed.
! **NOTE:** Log set fits tightly into firebox, some force may be necessary to remove.
9. Set log set in front of fireplace.

10. Unscrew bulbs counter clockwise.
11. Insert new bulbs.
12. Replace the log set by inserting the front edge of the fireplace and push down on the rear edge of the ember bed until it snaps into place (Figure 7).
13. Lay unit on its back and slide front glass back into position and attach trim.

! **NOTE:** Ensure the log set is installed tightly under the back ledge to prevent light leakage.

Upper Light Bulb Requirements

Quantity of two (2) clear chandelier or candelabra bulbs with an E-14 (small socket base, 25 Watt rating). **Do not exceed 25 Watts per bulb**



Maintenance

To access the upper light bulb area:

1. Slide fireplace out of mantel
2. Lay unit on it's back for safe removal of front glass.
3. Remove four Phillips screws from right side of trim.
4. Remove trim.
5. Slide glass to the right side of the fireplace to remove (Figure 6).
6. Upper bulbs located in the upper left and upper right corners of fireplace.
7. Remove upper light block by removing the four (4) mounting screws.
8. Unscrew bulbs counter clockwise.
9. Insert new bulbs.
10. Re-install upper light bracket.
11. Lay unit on it's back slide front glass back into position and attach trim.

Glass Cleaning

The glass is cleaned in the factory during the assembly operation. During shipment, installation, handling, etc., the glass may collect dust particles; these can be removed by dusting lightly with a

clean dry cloth.

To remove fingerprints or other marks, the glass can be cleaned with a damp cloth. To prevent scratching, do not use abrasive cleaners or spray liquids on the any surface.

Fireplace Surface Cleaning

Use a cloth dampened with warm water only to clean painted surfaces of the electric fireplace. Do not use abrasive cleaners.

Warranty

Dimplex Electric Fireplaces are tested and inspected prior to shipment and are guaranteed from defect to the purchaser of each new product. Any part which proves to be defective in material or workmanship under normal use within one year will be repaired or replaced without charge.* The Company will not be responsible for any expense incurred for installation, removal for service, or transportation costs. Any such defect should be brought to the attention of the Dealer where the product was purchased and is authorized to repair or replace within the terms of this warranty.

The Company's only obligation under this warranty will be at its sole option to repair or replace any part proving defective or to refund the purchase price thereof.

The owner/user assumes all other risks, if any, including the risk of any direct, indirect or consequential loss or damage arising out of the use of or inability to use the product.

The warranty will not apply if, in the sole judgment of the Company, damage or failure has resulted from accident, alteration, misuse, abuse, incorrect installation, or operation on an incorrect power source.

The foregoing is in lieu of all other warranties expressed, implied, or statutory, and the Company neither assumes, nor authorizes any

person to assume for it any other obligation, or liability in connection with said product.

*Light bulbs are not covered in the warranty.


Service

Contact your local dealer for service or warranty information.

Recycling

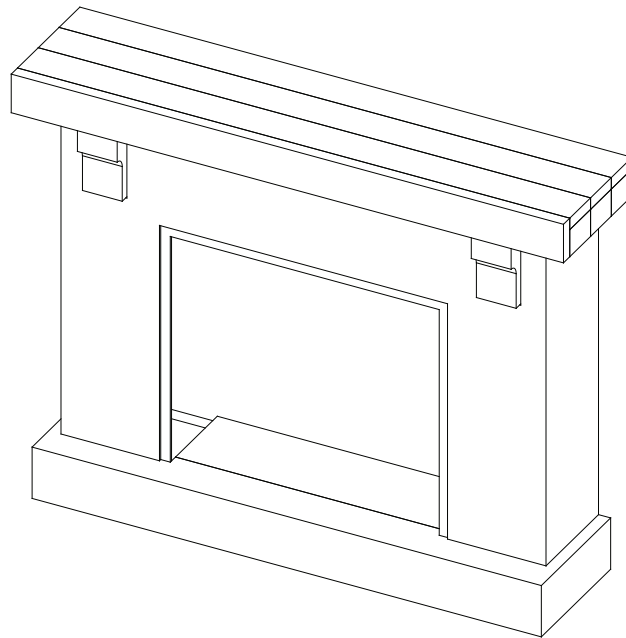
For electrical products sold in the European Community. At the end of the electrical product's useful life it should not be disposed of with household waste. Please recycle where facilities exist. Check with your Local Authority or retailer for recycling advice in your country.



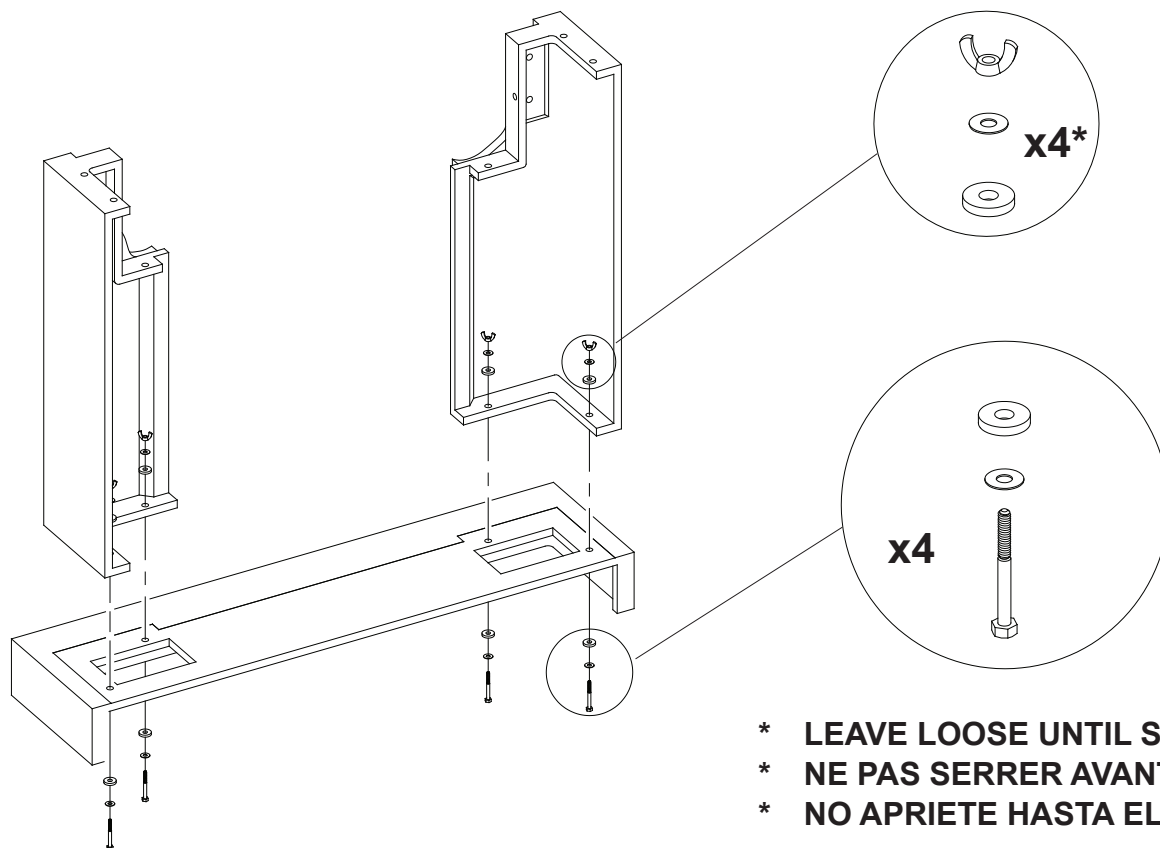
 The product complies with the European Safety Standard EN60335-2-30 and the European Standard for Electromagnetic Compatibility (EMC) EN55014, EN61000 and EN50366 which cover the essential requirements of EEC Directives 2006/95 and 2004/108.

Assembly Instructions

Instructions d'assemblage / Instrucciones de ensamblaje



1

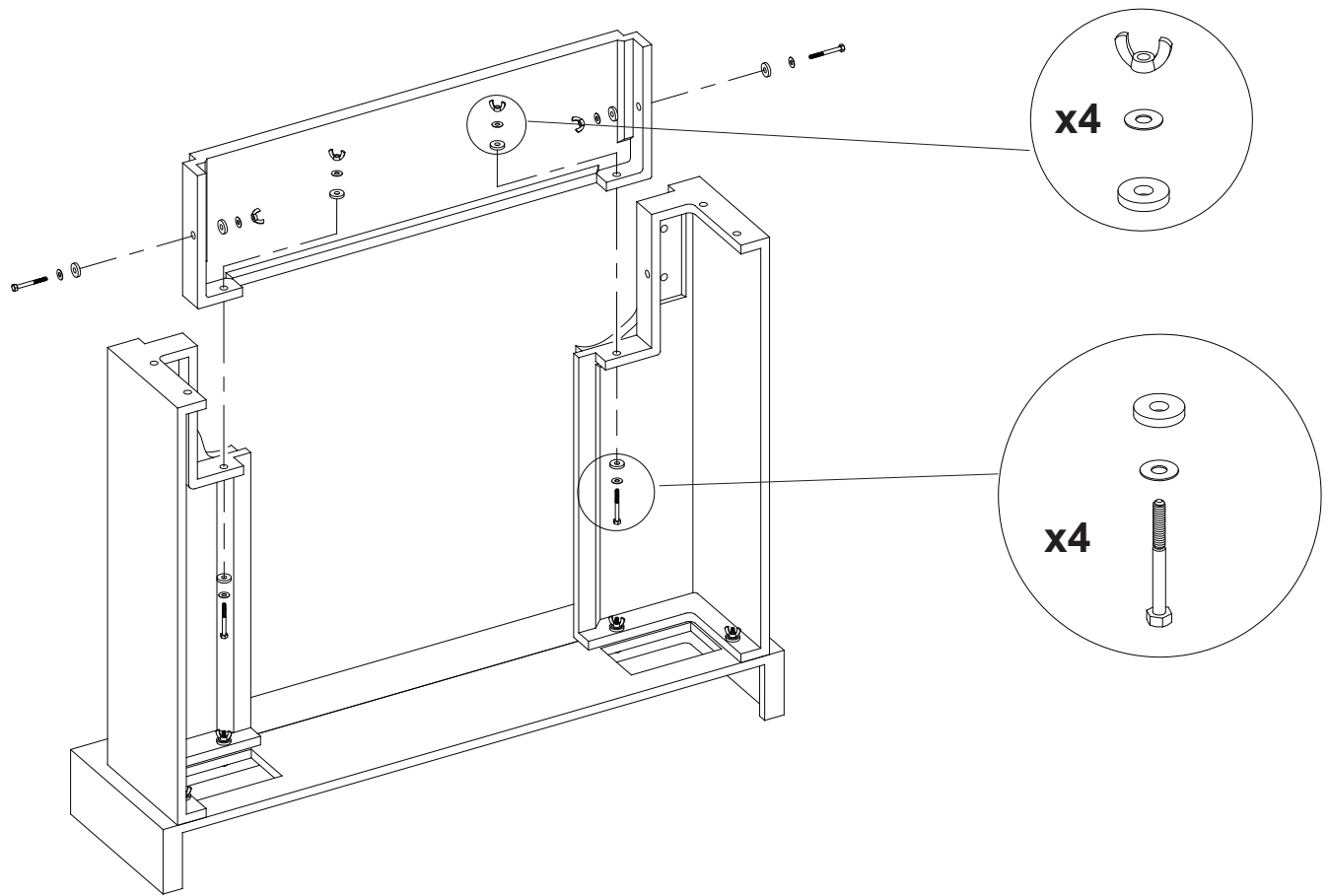


- * LEAVE LOOSE UNTIL STEP 3
- * NE PAS SERRER AVANT L'ÉTAPE 3
- * NO APRIETE HASTA EL PASO 3

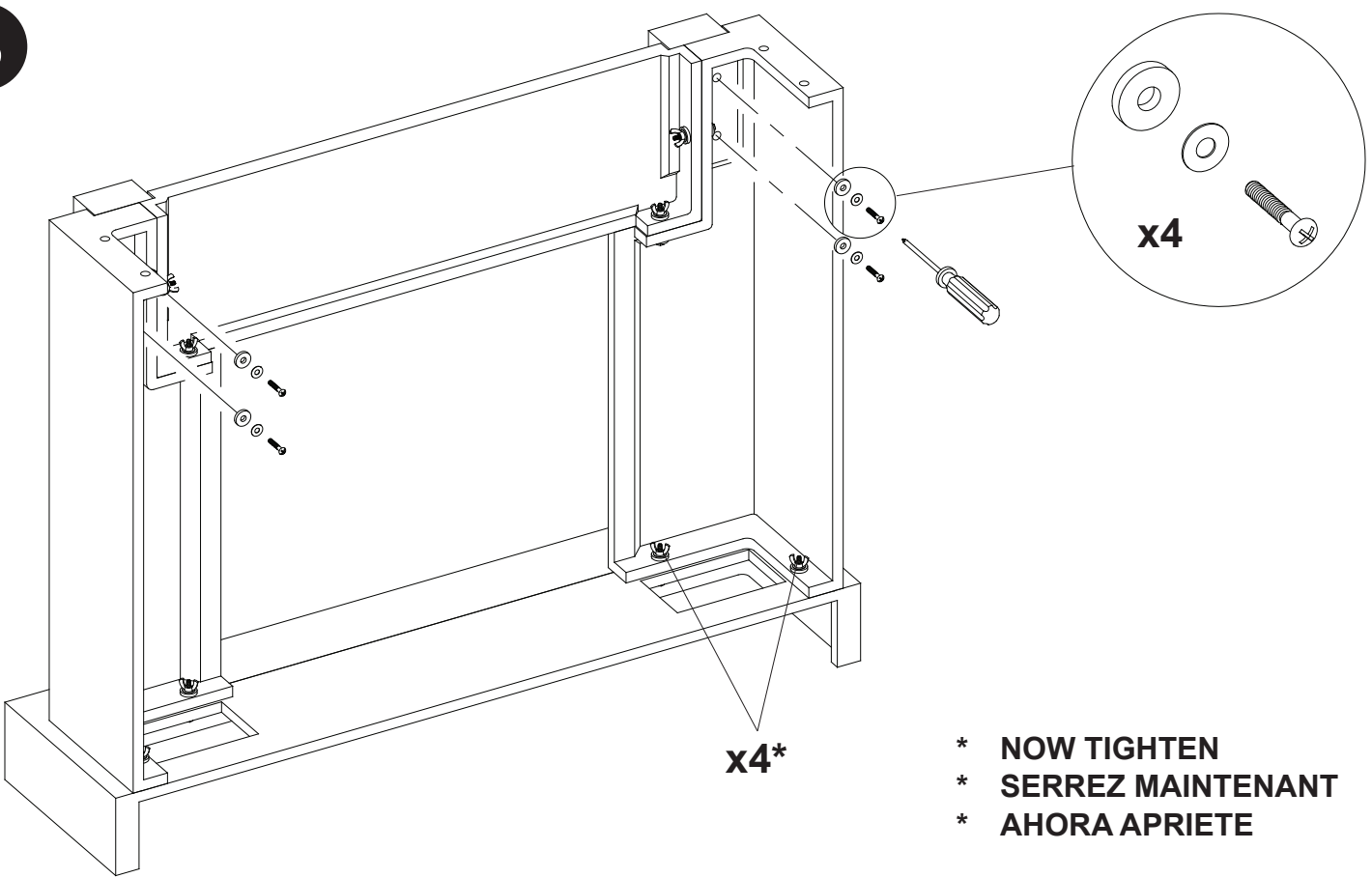
Dimplex North America Limited
1367 Industrial Road • Cambridge ON Canada N1R 7G8
1-888-346-7539 • www.dimplex.com

Dimplex[®] The world leader
in electric fireplaces.

2

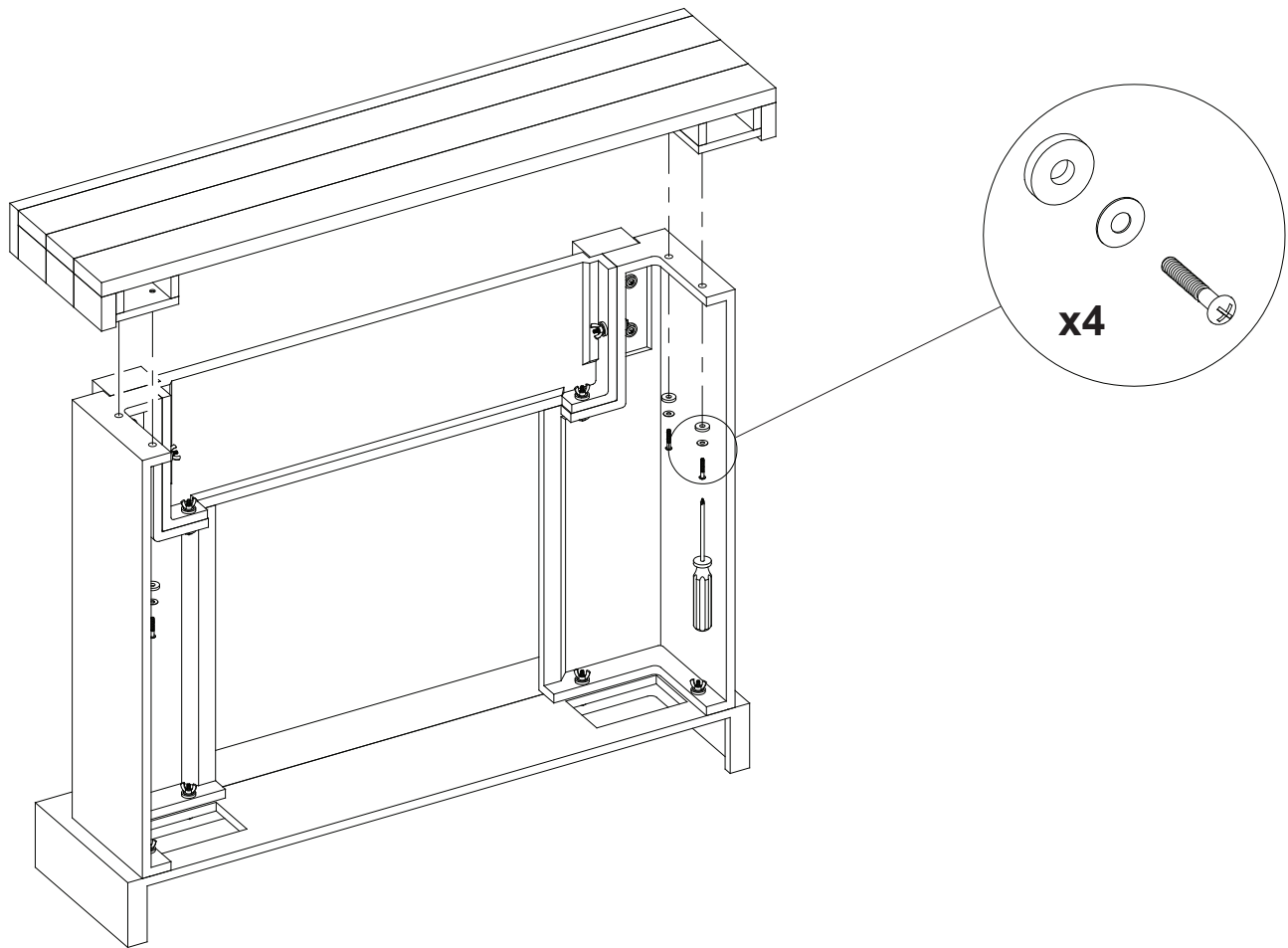


3

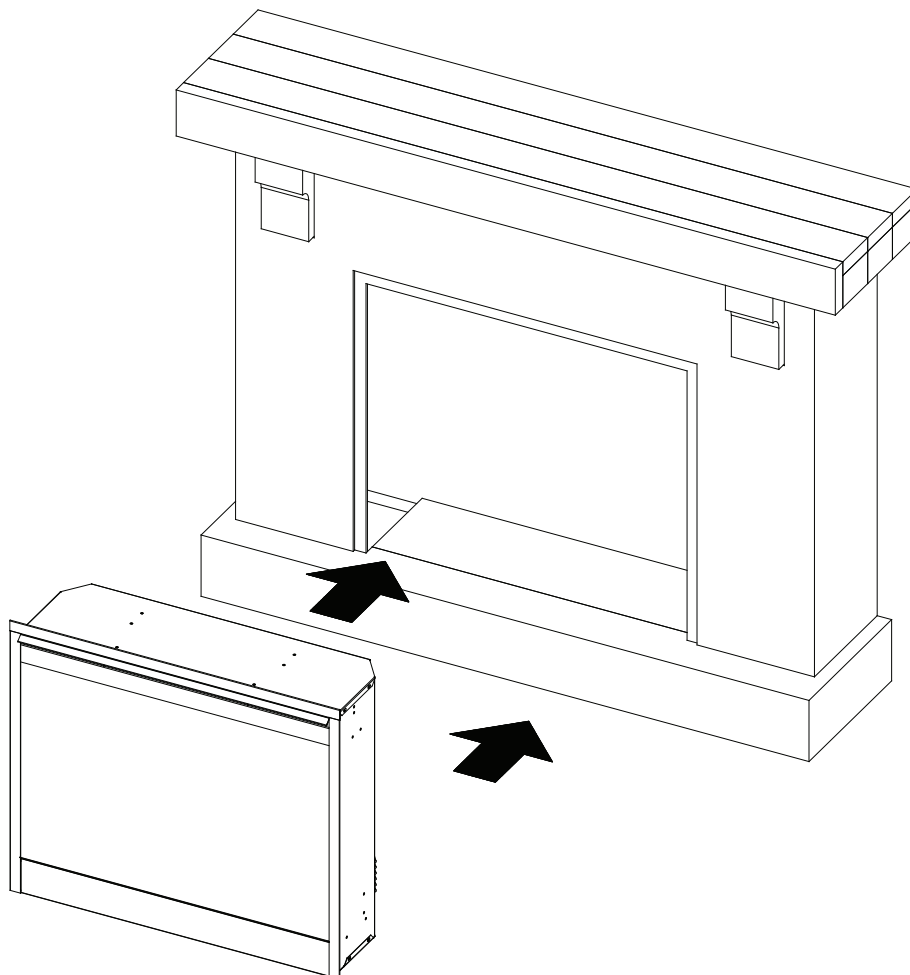


* NOW TIGHTEN
* SERREZ MAINTENANT
* AHORA APRIETE

4



5



RETAIN THIS MANUAL FOR FUTURE REFERENCE

Valued customer,

Thank you for selecting one of our Fireplace Surrounds to complement your Dimplex Electric Fireplace.

We are confident that your purchase will enhance the charm and comfort of your home for many years to come.

NOTE: Your fireplace top is constructed of solid pine wood. However, because wood is natural, you may notice variations in grain consistency. This is normal and will add to the uniqueness of your fireplace surround. The use of a soft, damp cloth is recommended for cleaning the faux stone surfaces. DO NOT use any aggressive or abrasive cleaning materials. Colored cleaners may stain the surface.

WARNING: The fireplace surround is not to be used for purposes other than a Dimplex electric fireplace insert.

WARRANTY

Dimplex fireplace surrounds are tested and inspected prior to shipment and are guaranteed to the purchaser of each new product. Any part, which proves defective in material or workmanship under normal use within one year, will be replaced without charge. The Company will not be responsible for any expense incurred for installation, removal from service, or transportation costs. Any such defect should be brought to the attention of the Dealer where the product was purchased and is authorized to repair or replace within the terms of this warranty.

The Company's only obligation under this warranty will be its sole option to repair or replace any part proving defective or to refund the purchase price thereof.

The owner/user assumes all other risks, if any, including the risk of any direct, indirect, or consequential loss or damage arising out of use or inability to use, the product.

The warranty will not apply if, in the sole judgement of the Company, damage or failure has resulted from accident, alteration, misuse, abuse, incorrect installation, or use for purposes other than a Dimplex electric fireplace.

The foregoing is in lieu of all other warranties expressed, implied or statutory, and the company neither assumes, nor authorizes any person to assume for it any other obligation, or liability in connection with sold product.

CONSERVER CE MANUEL POUR LE CONSULTER AU BESOIN

Cher client,

Merci d'avoir choisi l'un de nos meubles-contour pour rehausser l'apparence de votre foyer électrique Dimplex.

Nous sommes confiants que votre achat ajoutera chaleur et confort à votre foyer durant de nombreuses années.

REMARQUE: Le dessus de votre foyer est en pin massif. Toutefois, puisque le bois est un matériau naturel, il se peut que le grain du bois ne soit pas uniforme. Ce phénomène normal procure un cachet unique au meuble. Il est recommandé d'utiliser un linge humide doux pour nettoyer les surfaces en pierre d'imitation. NE PAS utiliser de produits nettoyants agressifs ou abrasifs. Les produits de nettoyage colorés peuvent tacher les surfaces.

AVERTISSEMENT : Ne pas utiliser le meuble-contour pour autre chose qu'un foyer électrique de Dimplex.

GARANTIE

Les meubles-contours de marque Dimplex sont testés et inspectés avant d'être expédiés et chaque nouveau produit est garanti auprès de l'acheteur contre toute défectuosité. Toute pièce présentant un vice de matériau ou de fabrication, en usage normal, en deçà d'un an, sera remplacée sans frais. La compagnie ne sera pas responsable des frais occasionnés par l'installation, le retrait pour entretien ni le transport. Toute défectuosité du genre devra être signalée au marchand de qui le produit a été acheté s'il est autorisé à effectuer les réparations ou le remplacement en vertu des conditions de cette garantie.

Dimplex North America Limited
1367 Industrial Road • Cambridge ON Canada N1R 7G8
1-800-668-6663 • www.dimplex.com

© 2009 Dimplex North America Limited

La seule obligation de la compagnie, en vertu de cette garantie, sera de réparer ou remplacer toute pièce se révélant défectueuse ou de rembourser le prix d'achat.

Le propriétaire (l'utilisateur) assume la responsabilité de tous les risques, s'il y a lieu, y compris pour perte ou dommage direct, indirect ou accessoire, découlant de l'utilisation du produit ou de l'impossibilité de l'utiliser.

La garantie ne s'appliquera pas si la compagnie juge que le dommage ou la défectuosité résulte d'un accident, d'une altération, d'un mauvais usage ou d'une installation inappropriée ou d'un usage autre qu'avec un foyer électrique de Dimplex.

La présente garantie remplace toutes autres garanties explicites, implicites ou statutaires et la compagnie n'assume et n'autorise personne à assumer la responsabilité pour les obligations ou engagements liés audit produit.

CONSERVE ESTE MANUAL PARA REFERENCIA A FUTURO

Estimado cliente,

Gracias por seleccionar nuestros modelos circundantes para chimenea a fin de complementar su chimenea eléctrica Dimplex. Confiamos en que su compra realizará el encanto y la comodidad de su hogar durante muchos años.

NOTA: La parte superior de su calentador de aire está hecha de madera de pino maciza. Sin embargo, dado que la madera es natural, es posible que observe variaciones en la uniformidad de la veta. Esto es normal y complementa la exclusividad de la estructura circundante de la repisa. Se recomienda usar un paño húmedo y suave para limpiar superficies de imitación de piedra. Limpiadores con color pueden manchar las superficies. No utilice una arandela de la presión para limpiar esta unidad.

ADVERTENCIA: La estructura circundante de la repisa no debe usarse para fines que no sean la caja de la chimenea eléctrica Dimplex.

GARANTÍA

Las estructura circundantes de repisa Dimplex son probadas e inspeccionadas de su envío y están garantizadas contra ante el comprador de cada nuevo producto. Cualquier parte que demuestre estar defectuosa en material o mano de obra bajo el uso normal dentro de un año será reemplazada sin cargo. La Compañía no será responsable de cualquier gasto incurrido por instalación, puesta fuera de servicio o costos de transporte.

Cualquier defecto de ese tipo debe comunicarse al Distribuidor donde se haya comprado el producto y esté autorizado para reparar o reemplazario dentro de los términos de esta garantía.

La única obligación de la Compañía bajo la presente garantía será, a su sola opción, la de reparar o sustituir cualquier parte que demuestre estar defectuosa o reembolso el precio de compra de la misma.

El propietario / usuario asume todos los demás riesgos, si los hay, incluyendo el riesgo de cualquier pérdida o daño directo, indirecto o resultante del uso de la imposibilidad de usar el producto.

La garantía no se aplicará si, al solo juicio de la Compañía, se han ocasionado daños o fallas debidas a accidentes, alteraciones, uso indebido, abuso, instalación incorrecta, o uso para fines ajenos a la chimenea eléctrica Dimplex.

Lo anterior reemplaza todas las demás garantías expresas, implícitas o estatutarias y la compañía no asume ni autoriza a ninguna persona que asume a su nombre ninguna otra obligación o responsabilidad relacionadas con dicho producto.