

# Installation Manual

## Installation and Appliance Setup

**CAUTION! Risk of Fire! DO NOT** store instruction manuals inside fireplace cavity.

High temperatures could cause a fire.

**INSTALLER:** Leave this manual with party responsible for use and operation.

**OWNER:** Retain this manual for future reference.

Contact your Dealer with questions regarding installation, operation or service.

**NOTICE: DO NOT** discard this manual!

**HEAT&GLO**

No one builds a better fire

**Models:**

**I30X-N-AU**

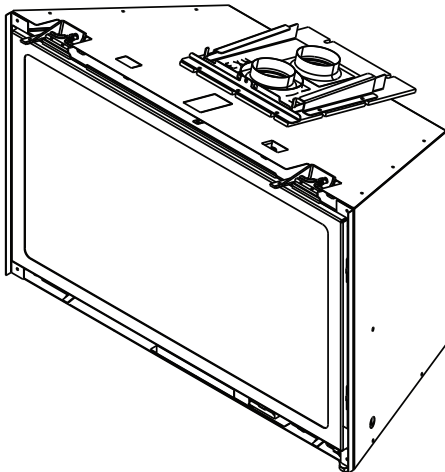
**I30X-P-AU**



IAPMO-R&T



Ref No GMK10553  
AS/NZS 5263.1.3



**⚠ WARNING:**

**FIRE OR EXPLOSION HAZARD**

Failure to follow safety warnings exactly could result in serious injury, death, or property damage.

- **DO NOT** store or use gasoline or other flammable vapors and liquids in the vicinity of this or any other appliance.
- **What to do if you smell gas**
  - **DO NOT** try to light any appliance.
  - **DO NOT** touch any electrical switch. **DO NOT** use any phone in your building.
  - Leave the building immediately.
  - Immediately call your gas supplier from a neighbor's phone. Follow the gas supplier's instructions.
  - If you cannot reach your gas supplier, call the fire department.
- Installation and service must be performed by a qualified installer, service agency, or the gas supplier.

**⚠ DANGER**



**HOT GLASS WILL CAUSE BURNS.**

**DO NOT TOUCH GLASS UNTIL COOLED.**

**NEVER ALLOW CHILDREN TO TOUCH GLASS.**

A barrier designed to reduce the risk of burns from the hot viewing glass is provided with this appliance and shall be installed for the protection of children and other at-risk individuals.

**DO NOT PLACE ARTICLES ON OR AGAINST THIS APPLIANCE.**

**DO NOT USE OR STORE FLAMMABLE MATERIALS NEAR THIS APPLIANCE.**

**DO NOT SPRAY AEROSOLS IN THE VICINITY OF THIS APPLIANCE WHILE IT IS IN OPERATION.**

**DO NOT MODIFY THIS APPLIANCE.**

## ▲ Safety Alert Key:

- **DANGER!** Indicates a hazardous situation which, if not avoided will result in death or serious injury.
- **WARNING!** Indicates a hazardous situation which, if not avoided could result in death or serious injury.
- **CAUTION!** Indicates a hazardous situation which, if not avoided, could result in minor or moderate injury.
- **NOTICE:** Used to address practices not related to personal injury.

## Table of Contents

Installation Standard Work Checklist . . . . .	3
--	---

### 1 Product Specific and Important Safety Information

A. Appliance Certification . . . . .	4
B. Glass Specifications . . . . .	4
C. Gas Pressure Requirements . . . . .	4
D. High Altitude Installations . . . . .	5
E. Non-Combustible Materials Specification . . . . .	5
F. Combustible Materials Specification . . . . .	5
G. Electrical Codes . . . . .	5

### 2 Getting Started

A. Design and Installation Considerations . . . . .	6
B. Good Faith Wall Surface . . . . .	8
C. Tools and Supplies Needed . . . . .	8
D. Inspect Appliance and Components . . . . .	8

### 3 Appliance / Fireplace Requirements and Clearances

A. Appliance/Decorative Front Dimension Diagrams . . . . .	9
B. Minimum Fireplace Opening . . . . .	12
C. Wall Extension . . . . .	14
D. Mantel, Wall Projections, & Hearth Extensions . . . . .	16
E. Hearth Extension . . . . .	17

### 4 Installation Preparation

A. Cleaning . . . . .	18
B. Flue Damper . . . . .	18
C. Gas Line . . . . .	18
D. Fireplace Conversion Notice . . . . .	18
E. Electrical Outlet Box . . . . .	18

### 5 Installing Vent Pipe and Appliance

A. Vent Limits . . . . .	19
B. Using Vertical Restrictor . . . . .	20
C. Venting Components . . . . .	22
D. Connecting to SLP . . . . .	23
E. Connecting Vent Pipe . . . . .	24
F. Placing, Securing and Leveling the Appliance . . . . .	25
G. Installing Termination Cap . . . . .	26

### 6 Electrical Information

A. General Information . . . . .	27
B. Wiring Requirements . . . . .	28
C. Installation / Service for Fan . . . . .	30
D. Installation / Service for Halogens (Optional) . . . . .	31
E. Service / Replace Appliance Gas Valve . . . . .	31

### 7 Gas Information

A. Fuel Conversion . . . . .	32
B. Gas Pressure . . . . .	33
C. Gas Service Access . . . . .	33
D. Gas Connection . . . . .	33
E. High Altitude Installations . . . . .	34
F. Air Shutter Setting . . . . .	34

### 8 Finishing

A. Mantel, Wall Projections & Hearth Extensions . . . . .	35
B. Hearth Extension . . . . .	36

### 9 Appliance Setup

A. Fixed Glass Assembly . . . . .	37
B. Remove the Shipping Materials . . . . .	38
C. Clean the Appliance . . . . .	38
D. Accessories . . . . .	38
E. Mystic Embers Placement . . . . .	39
F. Ember Placement . . . . .	39
G. Reverse Drafting . . . . .	39
→ H. Install the Log Assembly . . . . .	40
I. Install Decorative Front and Surround . . . . .	42
J. Appliance Break-In . . . . .	43
K. Heat Management . . . . .	43

### 10 Reference Materials

A. Vent Components . . . . .	44
B. Accessories . . . . .	45

→ = Contains updated information.

# Installation Standard Work Checklist

## ATTENTION INSTALLER: Follow this Standard Work Checklist

This standard work checklist is to be used by the installer in conjunction with, not instead of, the instructions contained in this installation manual.

**Customer:** \_\_\_\_\_ **Date Installed:** \_\_\_\_\_  
**Lot/Address:** \_\_\_\_\_ **Location of Fireplace:** \_\_\_\_\_  
**Model (circle one):** I30X-N-AU, I30X-P-AU **Installer:** \_\_\_\_\_  
**Dealer/Distributor Phone #** \_\_\_\_\_  
**Serial #:** \_\_\_\_\_

**WARNING! Risk of Fire or Explosion!** Failure to install appliance according to these instructions could lead to a fire or explosion.

<u>Appliance Install</u>	YES	IF NO, WHY?
Verify fireplace is clean and remove/block open damper/modify damper for vent pipe clearance (Section 4).	<input type="checkbox"/>	_____
Locate multi-purpose tool (Section 2).	<input type="checkbox"/>	_____
Appliance is leveled and secured (Section 5.F).	<input type="checkbox"/>	_____
 <b><u>Venting/Chimney Section 5</u></b>		
Exhaust and inlet flex vent pipe are properly formed and routed through existing fireplace damper.	<input type="checkbox"/>	_____
Exhaust and inlet flex vent pipe are properly installed to the correct collars, sealed and secured to top slide plate and to the termination cap.	<input type="checkbox"/>	_____
Vertical restrictors are properly set (if applicable).	<input type="checkbox"/>	_____
Exterior roof flashing installed and sealed.	<input type="checkbox"/>	_____
Termination cap installed, secured and sealed to top slide plate.	<input type="checkbox"/>	_____
 <b><u>Electrical Section 6</u></b>		
Unswitched power (220-240 VAC) provided to the appliance.	<input type="checkbox"/>	_____
Switch wires properly installed.	<input type="checkbox"/>	_____
 <b><u>Gas Section 7</u></b>		
Proper appliance for fuel type.	<input type="checkbox"/>	_____
Was a conversion performed?	<input type="checkbox"/>	_____
Leak check performed and inlet pressure verified.	<input type="checkbox"/>	_____
Verified proper air shutter setting for installation type.	<input type="checkbox"/>	_____
 <b><u>Finishing Section 8</u></b>		
Combustible materials not installed in non-combustible areas.	<input type="checkbox"/>	_____
Verified all clearances meet installation manual requirements.	<input type="checkbox"/>	_____
Mantels and wall projections comply with installation manual requirements.	<input type="checkbox"/>	_____
 <b><u>Appliance Setup Section 9</u></b>		
All packaging and protective materials removed (inside & outside of appliance).	<input type="checkbox"/>	_____
Refractories, logs, media and embers installed correctly.	<input type="checkbox"/>	_____
Glass assembly and glass seal plate installed and secured.	<input type="checkbox"/>	_____
Accessories installed properly.	<input type="checkbox"/>	_____
Surround and decorative front properly installed. See instructions shipped with appliance front.	<input type="checkbox"/>	_____
Manual bag and all of its contents are removed from inside/under the appliance and given to party responsible for use and operation.	<input type="checkbox"/>	_____
Fireplace warning plate is attached to the existing woodburning fireplace.	<input type="checkbox"/>	_____
Remote control is programmed, functions verified using remote control instructions.	<input type="checkbox"/>	_____
Started appliance and verified no gas leaks exist.	<input type="checkbox"/>	_____

**Hearth & Home Technologies recommends the following:**

- Photographing the installation and copying this checklist for your file.
- That this checklist remain visible at all times on the appliance until the installation is complete.

**Comments:** Further description of the issues, who is responsible (Installer/ Builder/ Other Trades, etc) and corrective action needed \_\_\_\_\_

Comments Communicated to party responsible \_\_\_\_\_ by \_\_\_\_\_ on \_\_\_\_\_  
 → = Contains updated information. (Builder / Gen. Contractor/) (Installer) (Date)

# 1 Product Specific and Important Safety Information

## A. Appliance Certification

**MODELS:** I30X-N-AU, I30X-P-AU  
**LABORATORY:** IAPMO OCEANA  
**TYPE:** Direct Vent Heater  
**STANDARD:** AS/NZS 5263.1.3  
**REFERENCE NUMBER:** GMK10553

The Heat & Glo gas appliances discussed in this Installer's Guide have been tested to certification standards and listed by the applicable laboratories.

This appliance must be installed in accordance with the AS/NZS 5601.1 rules in force.

**NOT INTENDED FOR USE AS A PRIMARY HEAT SOURCE.**  
 This appliance is tested and approved as either supplemental room heat or as a decorative appliance. It should not be factored as primary heat in residential heating calculations.

## B. Glass Specifications

This appliance is equipped with 5 mm ceramic glass. Replace glass only with glass with identical specifications. Please contact your dealer for replacement glass.

## C. Gas Pressure Requirements

Pressure requirements for I30X-AU fireplaces are shown in table below.

Two taps are provided on the gas control for a test gauge connection to measure the inlet and outlet pressures.

The fireplace and its individual shut-off valve must be disconnected from the gas supply piping system during any pressure testing of the system at test pressures in excess of 3.4 kPa.

If the fireplace must be isolated from the gas supply piping system by closing an individual shut-off valve, it must be of the handle-less type.

**NOTE:** An inline fuel pressure regulator is recommended to limit NG inlet pressure to 2.49 kPa, and LP/ULPG inlet pressure to 3.25 kPa, to ensure optimum product performance. The inline fuel pressure regulator may be needed if any of the following symptoms exist: pilot jetting, a highly visible pilot flame, flame variation, etc. The inline pressure regulator should be installed in the gas line upstream of the appliance gas valve either at the appliance or in the utility room. Final main and manifold gas pressure must be tested with inline pressure regulator installed.

	Natural Gas	Propane	ULPG
Inlet Gas Pressure	1.13 - 3.40 kPa	2.75 - 3.40 kPa	2.75 - 3.40 kPa
* Outlet (Manifold) Gas Pressure	0.76 kPa	2.49 kPa	2.49 kPa
Gas Rate	.809 m <sup>3</sup> /h	.134 m <sup>3</sup> /h	.229 m <sup>3</sup> /h
Maximum Gas Consumption	30 MJ/h	28.65 MJ/h	27 MJ/h
Burner Injector	#36 DMS (2.7089 mm)	#52 DMS (1.6129 mm)	0.057 in. DMS (1.4478 mm)
Pilot Injector	Ø .023 (.584 mm)	Ø .012 (.305 mm)	Ø .012 (.305 mm)

Gas types only through field conversions.

\* The allowable Outlet (Manifold) Gas Pressure ranges are: Natural Gas 0.63 - .95 kPa (0.76 kPa nominal) and Propane, ULPG 2.37 - 2.61 kPa (2.40 kPa nominal). Certification testing setpoint values are shown.

## D. High Altitude Installations

**NOTICE:** *If the heating value of the gas has been reduced, these rules do not apply. Check with your local gas utility or authorities having jurisdiction.*

When installing above 2000 ft. (610 m) elevation:

Reduce input rate 4% for each 1000 ft. (305 m) above 2000 ft. (610 m).

## E. Non-Combustible Materials Specification

Material which will not ignite and burn. Such materials are those consisting entirely of steel, iron, brick, tile, concrete, slate, glass or plasters, or any combination thereof.

Materials that are reported as passing **ASTM E 136, Standard Test Method for Behavior of Materials in a Vertical Tube Furnace at 750 °C (1382 °F)** shall be considered non-combustible materials.

## F. Combustible Materials Specification

Materials made of or surfaced with wood, compressed paper, plant fibers, plastics, or other material that can ignite and burn, whether flame proofed or not, or plastered or unplastered shall be considered combustible materials.

## G. Electrical Codes

**NOTICE:** This appliance must be electrically wired and grounded in accordance with local codes or, in the absence of local codes, with AS/NZS 3000 latest edition.

## 2 Getting Started

### A. Design and Installation Considerations

Heat & Glo gas inserts are designed for installations into solid fuel masonry or factory built fireplaces that have been installed in accordance with AS/NZS 2918 and the appropriate requirements of the relevant building codes. No additional outside air source is required.

Installation MUST comply with local, regional, state and national codes and regulations. Consult insurance carrier, local building inspector, fire officials or authorities having jurisdiction over restrictions, installation inspection and permits.

Prior to installing the gas insert:

- Ensure fireplace and chimney is constructed of non-combustible materials.
- Ensure chimney is clean and in good working order.
- Ensure that all chimney cleanouts fit properly to prevent air leakage into chimney.
- Ensure combustible mantel and surround clearances comply with insert requirements.
- Ensure all joints are properly engaged and the chimney is properly secured.
- Determine minimum fireplace size. See Section 3.A and 3.B.
- Determine gas supply piping requirements.
- Determine electrical wiring requirements.
- Determine finishing details.
- Determine whether optional accessories—devices such as a wall switch or remote control—are desired.

Installation and service of this appliance should be performed by qualified personnel. Hearth & Home Technologies recommends HHT Factory Trained or NFI certified professionals.



Improper installation, adjustment, alteration, service or maintenance can cause injury or property damage. For assistance or additional information, consult a qualified service technician, service agency or your dealer.

### Multi-Purpose Tool

- See Figure 2.1 for multi-purpose tool functions and features.
- See Figure 2.2 for multi-purpose tool shipping location.
- See Figure 2.3 for multi-purpose tool storage location options.

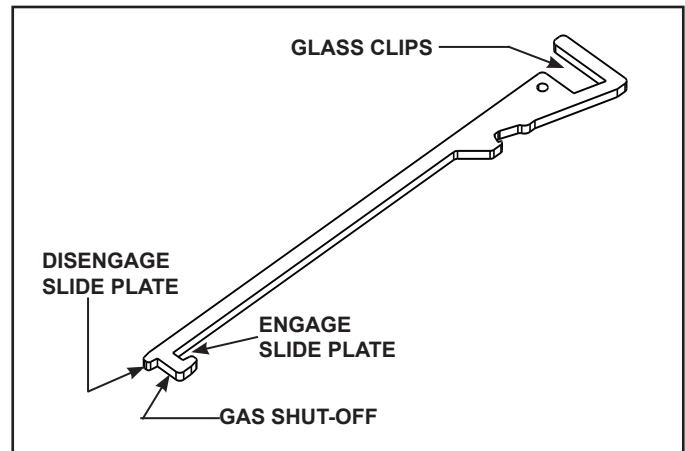


Figure 2.1 Multi-Purpose Tool

## Multi-Purpose Tool - Shipping Location

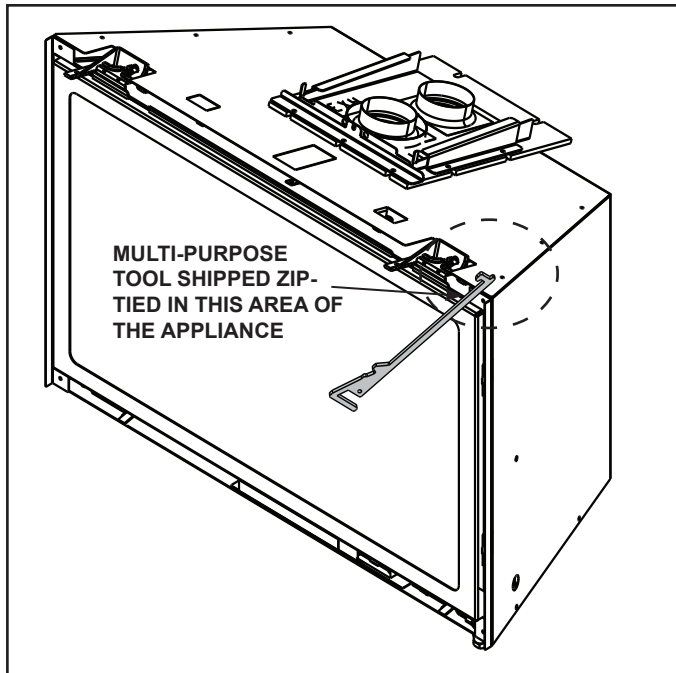


Figure 2.2 Multi-Purpose Tool shipping Location

- Remove multi-purpose tool by cutting and discarding zip-tie.
- See Figure 2.3 for multi-purpose tool storage.
- See Figure 2.1 for multi-purpose tool features / functions.

## Multi-Purpose Tool - Storage Options

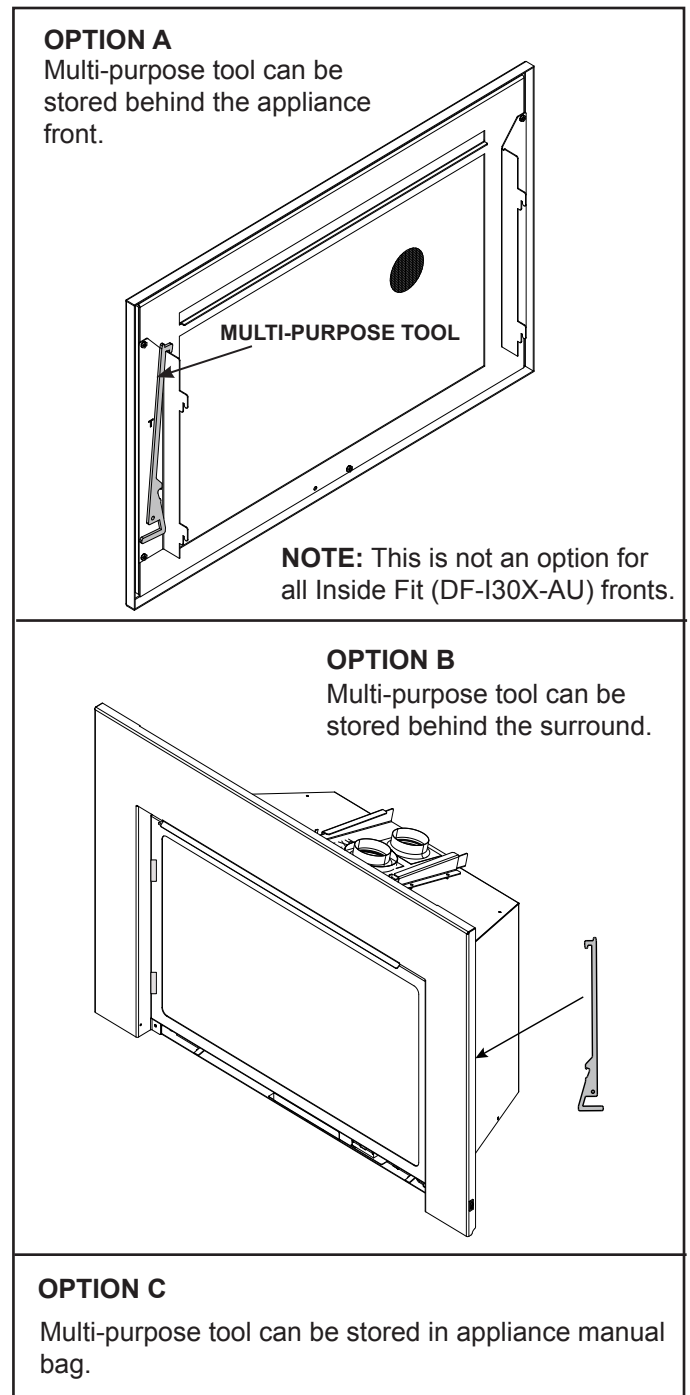


Figure 2.3 Multi-Purpose Tool Storage Options

**DO NOT store appliance manual bag in or around the appliance.**

## B. Good Faith Wall Surface

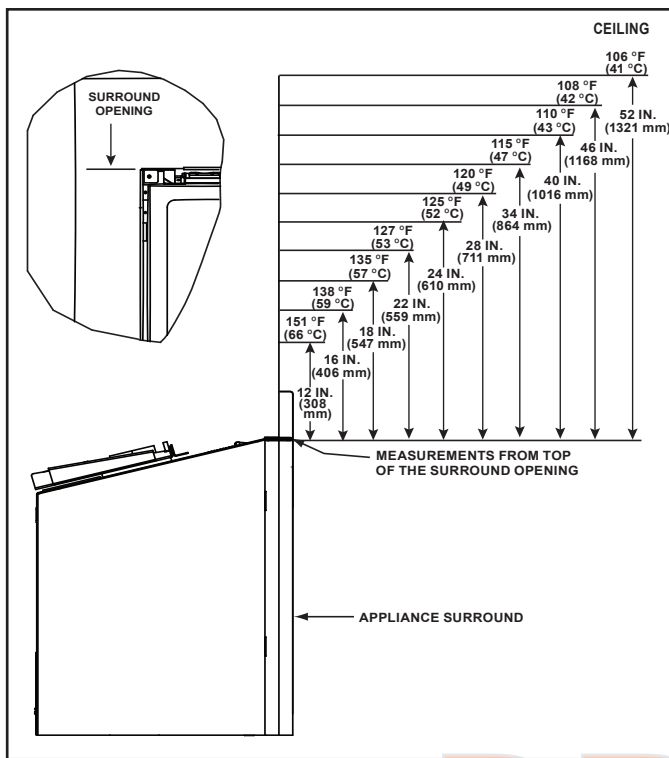


Figure 2.4 Good Faith Wall Surface Temperatures Above Appliance

If installing a television (TV) above the appliance, see Section 3 of the appliance Owner's Manual.

**NOTICE:** Temperatures listed above are taken with a temperature measuring probe as prescribed by the test standard used for appliance certification. Temperatures on walls or mantels taken with an infrared thermometer may yield increased temperatures of up to 30 °F (17 °C) or more depending on the thermometer settings and material characteristics being measured. Use appropriate finishing materials that are able to withstand these conditions. For additional finishing guidelines, see Section 8.

## C. Tools and Supplies Needed

Before beginning the installation be sure that the following tools and building supplies are available.

Tape measure	Pliers
Hammer	Phillips screwdriver
Voltmeter	Electric drill and bits - 1/4 in.(6mm)
Gloves	Safety glasses
Level	Reciprocating saw
Manometer	Flat blade screwdriver
Stove cement / Aluminum foil tape	
3/16 in. (8 mm) Allen wrench (Rear Leveling Legs)	
Elongated pressure taps (Recommended)	
Noncorrosive leak check solution	
Caulking material (300 °F (149 °C) minimum continuous exposure rating)	

## D. Inspect Appliance and Components

- Carefully remove the appliance and components from the packaging.
- The vent system components, decorative fronts and surrounds are shipped in separate packages.
- If packaged separately, the log set and appliance grate must be installed.
- Report to your dealer any parts damaged in shipment, particularly the condition of the glass.
- **Read all of the instructions before starting the installation. Follow these instructions carefully during the installation to ensure maximum safety and benefit.**

**WARNING! Risk of Fire or Explosion! Damaged parts could impair safe operation. DO NOT install damaged, incomplete or substitute components. Keep appliance dry.**

Hearth & Home Technologies disclaims any responsibility for, and the warranty will be voided by, the following actions:

- Installation and use of any damaged appliance or vent system component.
- Modification of the appliance or vent system.
- Installation other than as instructed by Hearth & Home Technologies.
- Improper positioning of the gas logs or the glass door.
- Installation and/or use of any component part not approved by Hearth & Home Technologies.

**Any such action may cause a fire hazard.**

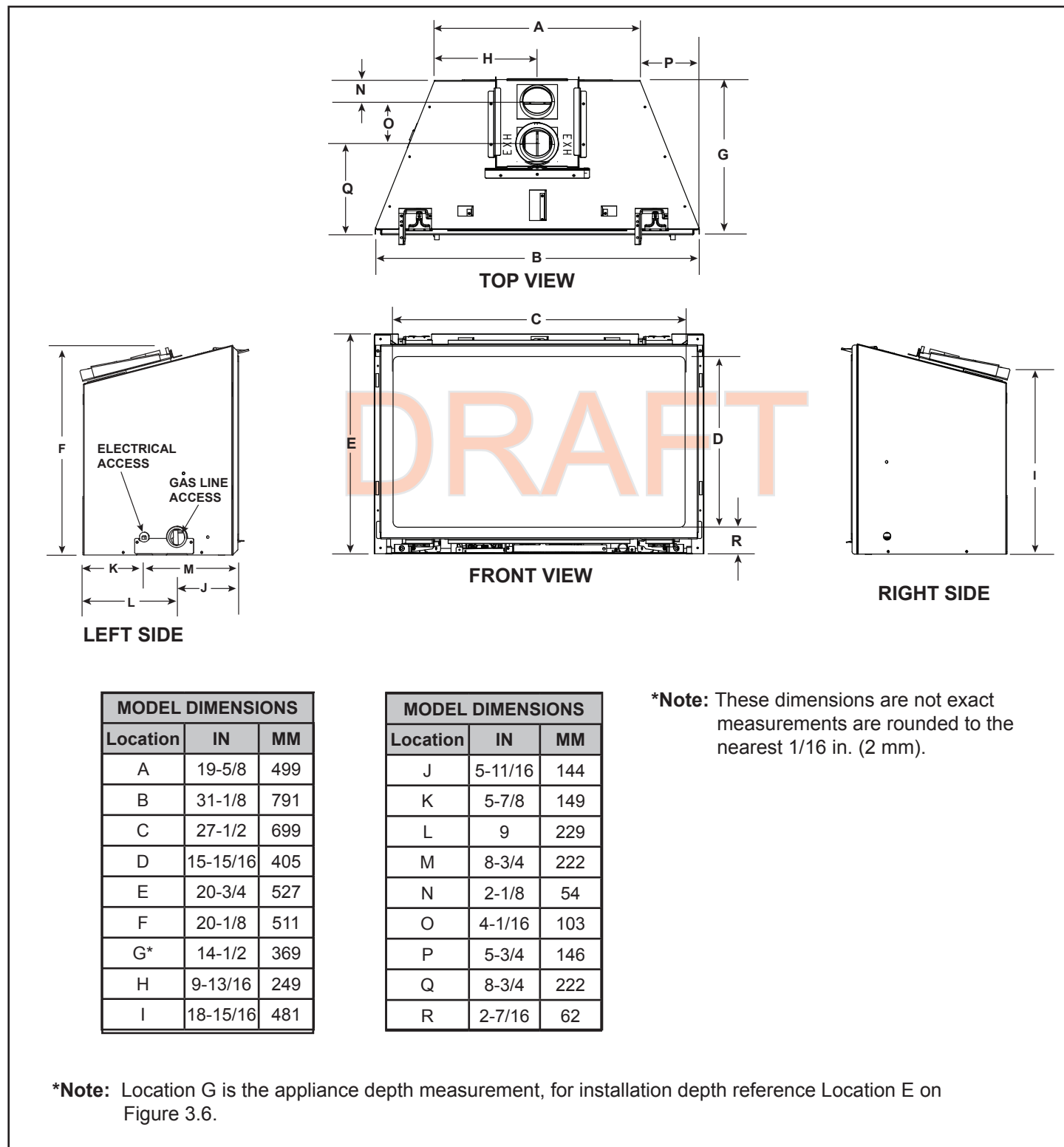
**WARNING! Risk of Fire, Explosion or Electric Shock! DO NOT use this appliance if any part has been under water. Call a qualified service technician to inspect the appliance and to replace any part of the control system and/or gas control which has been under water.**



### 3 Appliance / Fireplace Requirements and Clearances

#### A. Appliance/Decorative Front Dimension Diagrams

Dimensions are actual appliance dimensions. Use for reference only. For framing dimensions and clearances refer to Sections 3.D and 3.E.



MODEL DIMENSIONS		
Location	IN	MM
A	19-5/8	499
B	31-1/8	791
C	27-1/2	699
D	15-15/16	405
E	20-3/4	527
F	20-1/8	511
G*	14-1/2	369
H	9-13/16	249
I	18-15/16	481

MODEL DIMENSIONS		
Location	IN	MM
J	5-11/16	144
K	5-7/8	149
L	9	229
M	8-3/4	222
N	2-1/8	54
O	4-1/16	103
P	5-3/4	146
Q	8-3/4	222
R	2-7/16	62

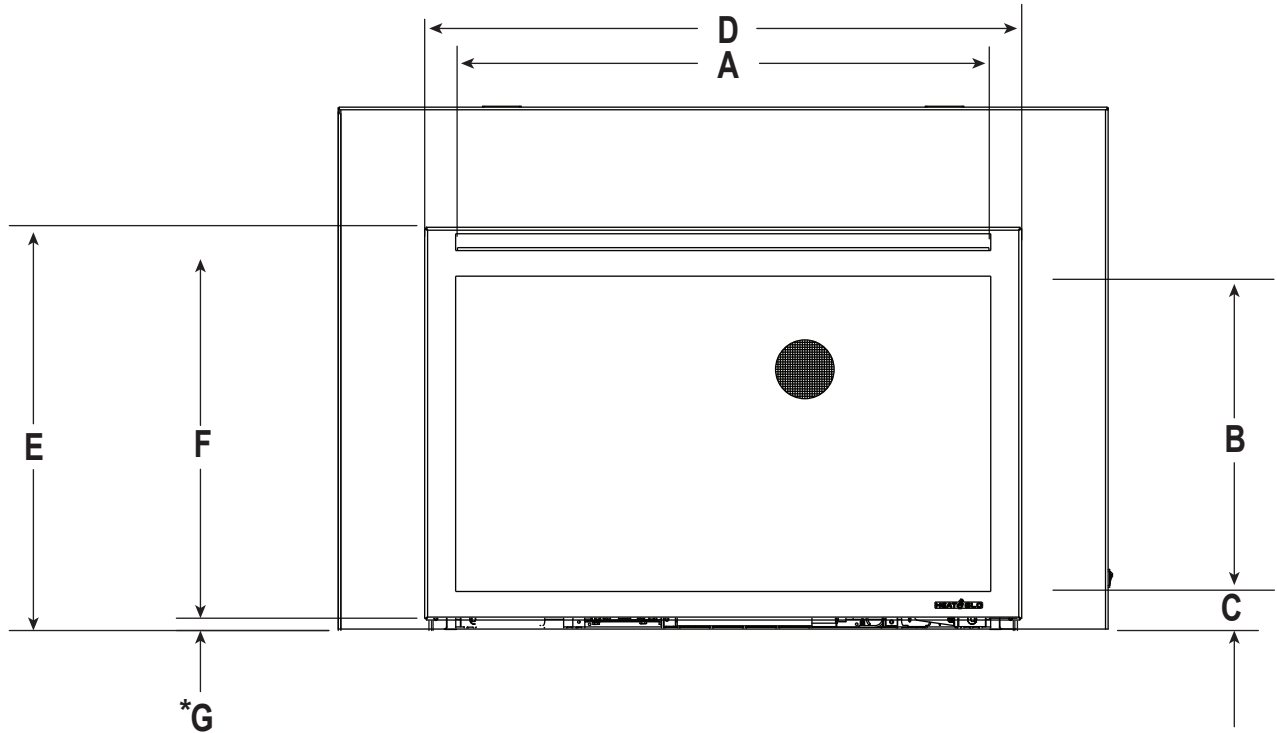
**\*Note:** These dimensions are not exact measurements are rounded to the nearest 1/16 in. (2 mm).

**\*Note:** Location G is the appliance depth measurement, for installation depth reference Location E on Figure 3.6.

Figure 3.1 Appliance Dimensions

# DECORATIVE FRONTS - INSIDE FIT

**\* NOTICE:** 1/2 inch gap must be maintained or components will overheat.

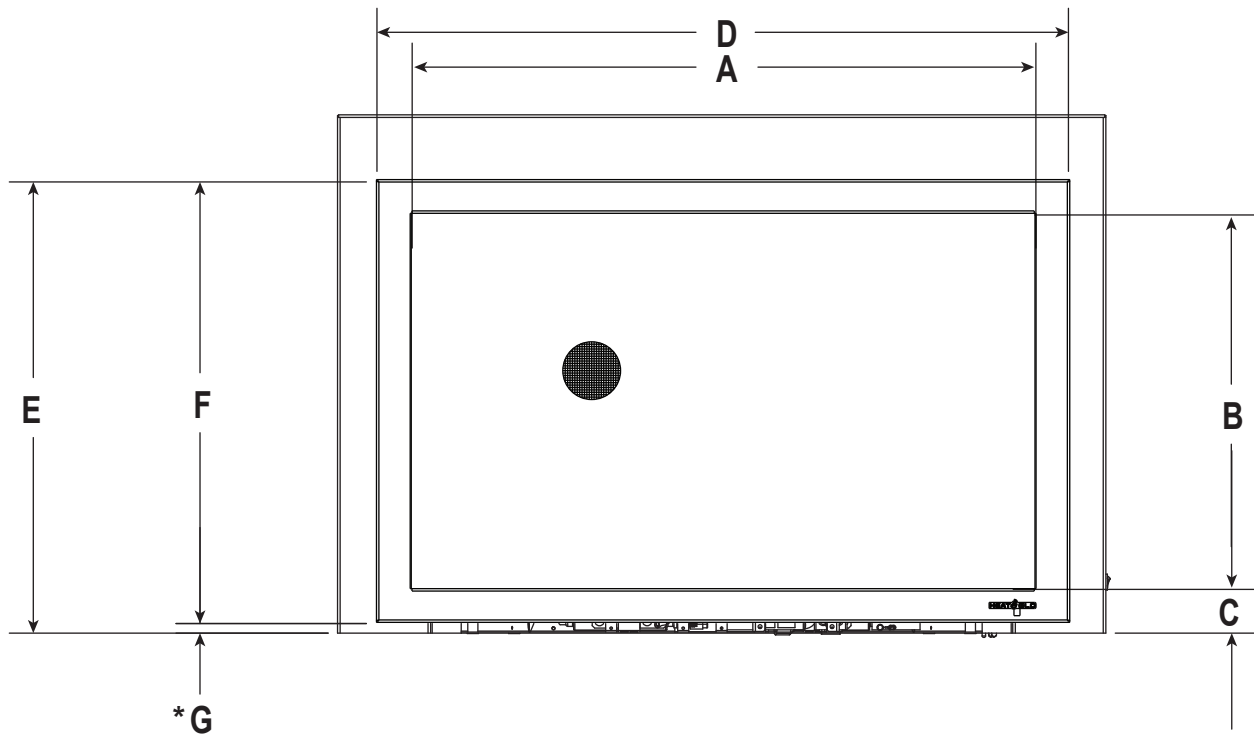


			A	B	C	D	E	F	*G
I30X-AU	DF-I30XAU-BK	in.	27-5/8	16-1/16	1-7/8	30-5/8	20-1/2	20	1/2
		mm	702	408	48	778	521	508	13

Figure 3.2 Decorative Front Dimensions - Inside Fit

# DECORATIVE FRONTS - FIRESCREEN

\* **NOTICE:** 1/2 inch gap must be maintained or components will overheat.



			A	B	C	D	E	F	*G
I30X-AU	FS-MI30	in.	32-5/16	19-1/2	2-1/4	36	23-1/2	23	1/2
		mm	821	495	57	914	597	584	13

Figure 3.3 Decorative Front Dimensions - Firescreen

## B. Minimum Fireplace Opening

Minimum fireplace opening requirements for a standard 3/4 inch deep surround and deep flush surround are shown in Figure 3.6. Unit opening size is the same for both standard surrounds.

**WARNING! Risk of Fire or Burns!** Provide adequate clearance around air openings and for service access. **Due to high temperatures, the appliance should be located out of traffic and away from furniture and draperies.**

**For Installation into a Zero Clearance Wood burning fireplace:**

- The brick (refractory), glass doors, screen rails, screen mesh and log grates can be removed from a factory built firebox in order to gain minimum gas insert opening requirements.
- Any smoke shelves, shields and baffles may be removed from the factory built firebox if attached with mechanical fasteners.

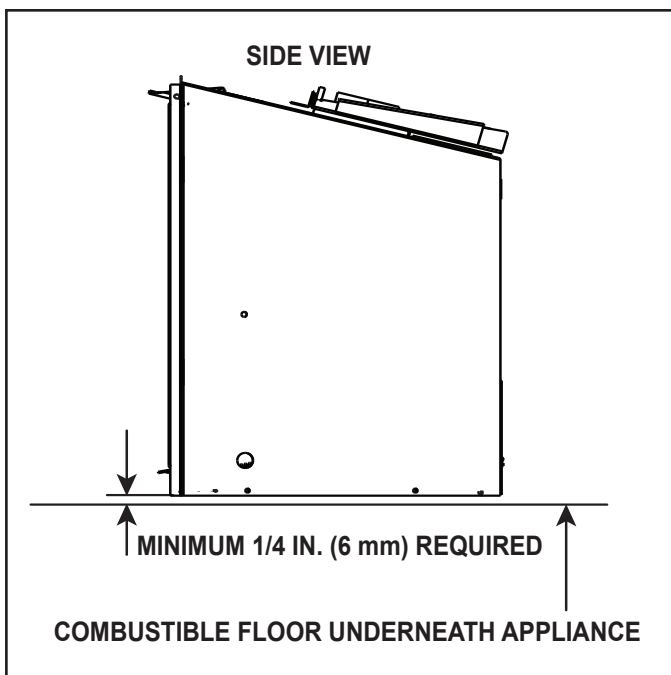


Figure 3.4 Solid Fuel Floor Clearance

- The appliance may not be placed directly on the base of the outer wrap, a 1/4 in. (6 mm) airspace **MUST** be provided between the insert and the floor of the outer wrap. Use the leveling legs to raise the insert a minimum of 1/4 in. (6 mm). The original fireplace may never be returned to solid fuel in this condition. The sidewalls and top structure of the firebox may not be altered with the exception of removable baffles and dampers.

- The metal floor of the solid fuel firebox may be removed to facilitate the installation of the insert.
- Cutting of any sheet metal parts of the fireplace in which the gas fireplace insert is to be installed is prohibited, except the floor as tested for and as noted above.
- A minimum 1/4 in. (6 mm) gap from the bottom of the appliance to the metal floor of the solid fuel firebox is **REQUIRED**. See side view in Figure 3.4.
- Manufactured gas inserts can be installed as a zero clearance appliance. See Section 3.C for detail.

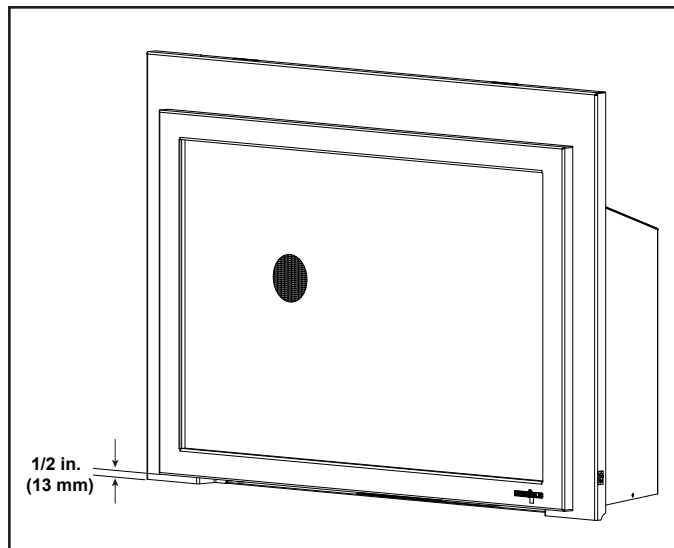


Figure 3.5 Minimum Required 1/2 in. (13 mm) Gap

**NOTICE:** 1/2 in. (13 mm) gap must be maintained or components will overheat.

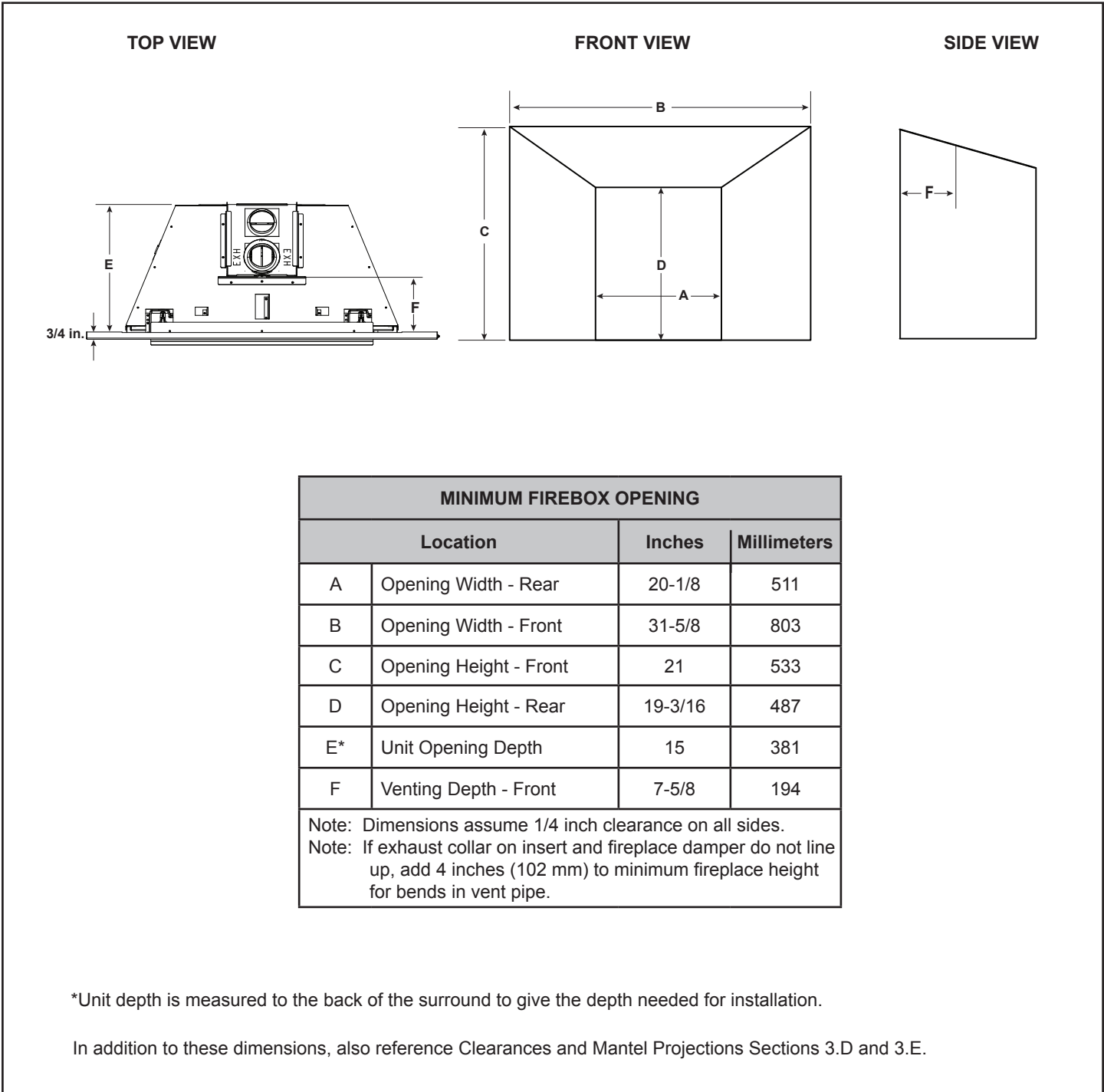


Figure 3.6 Firebox Opening - Standard Surround - 3/4 in.

## C. Wall Extension

Surrounds **MUST** overlap wall extension.

A non-combustible wall extension can be used to cover an existing masonry surface. Wall extensions are typically used to improve cosmetics.

**WARNING! Risk of Fire!** Comply with all minimum clearances to combustibles as specified. Framing or finishing material closer than the minimums listed must be constructed entirely of noncombustible materials (i.e., steel studs, concrete board, etc).

Combustible facings must not extend behind the insert surround. See Sections 1.E and 1.F.

### Non-Combustible Materials Specification

Material which will not ignite and burn. Such materials are those consisting entirely of steel, iron, brick, tile, concrete, slate, glass or plasters, or any combination thereof.

Materials that are reported as passing **ASTM E 136, Standard Test Method for Behavior of Materials in a Vertical Tube Furnace at 750 °C.**

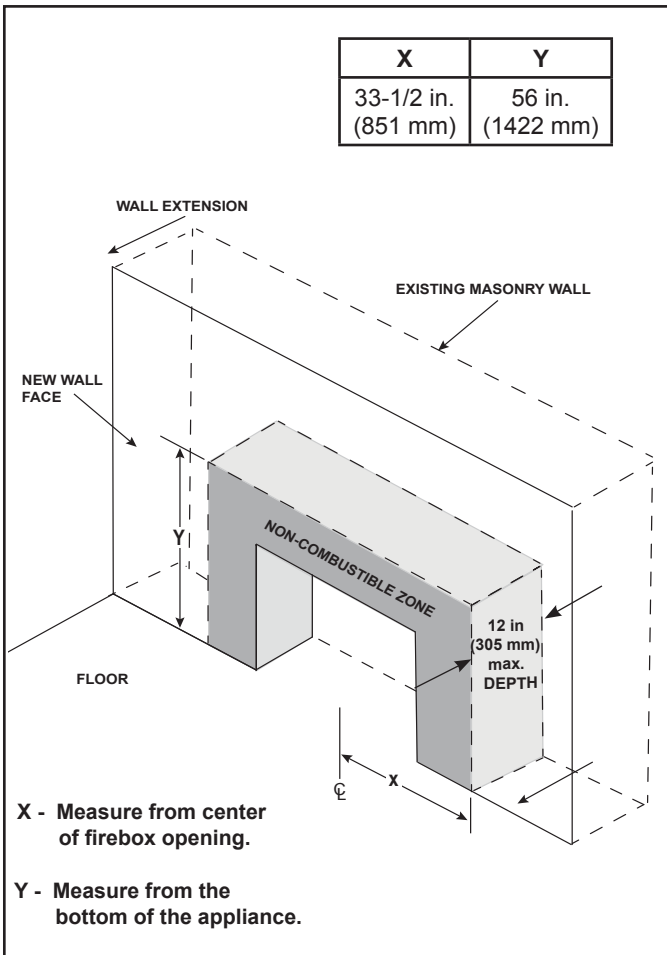


Figure 3.7 Minimum Non-Combustible Framing Requirement

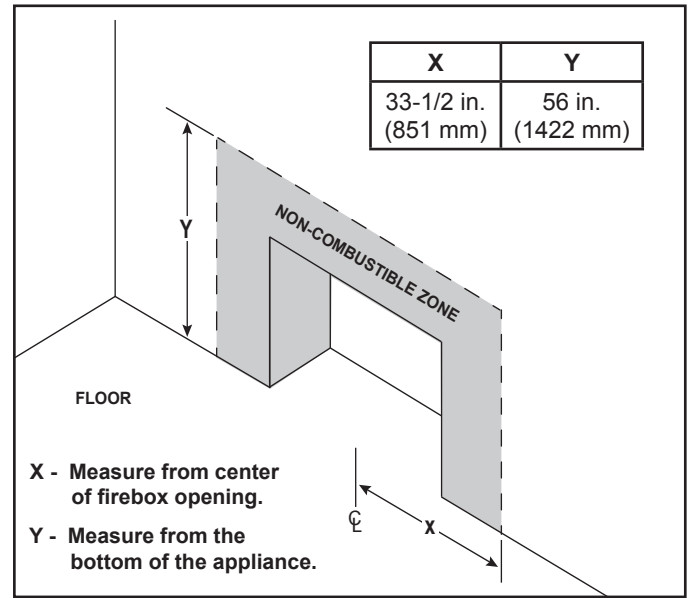


Figure 3.8 Non-Combustible Facing Requirement

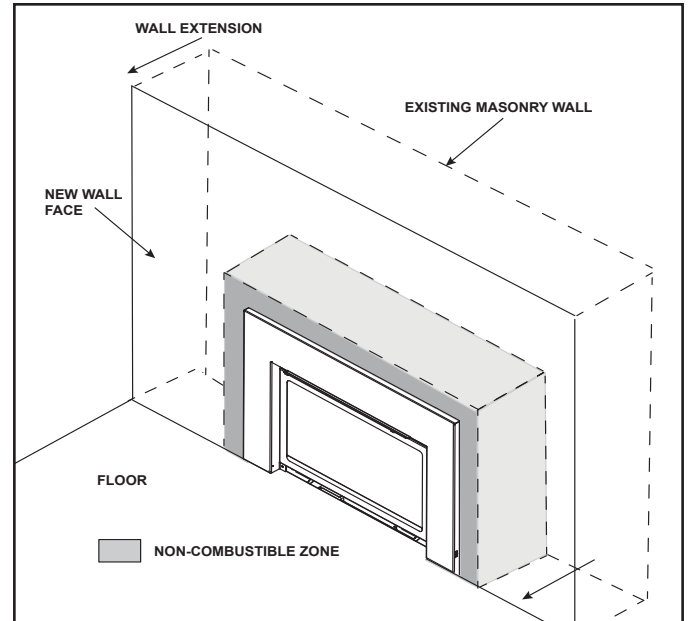


Figure 3.9 Non-Combustible Framing / Facing Requirement

- Facing and/or finishing materials must not interfere with air flow through decorative fronts.
- Facing and/or finishing materials must never overhang into the glass opening.
- Observe all clearances when applying combustible materials.
- Maximum depth of wall extension is 12 in. (305 mm). This may be limited by the flex pipe's ability to connect to the starting collar.
- Covering combustible materials with non-combustible materials does not qualify material as non-combustible.

**WARNING! Risk of Fire! DO NOT** apply combustible materials beyond the minimum clearances. Comply with all minimum clearances to combustibles as specified in this manual. Overlapping materials could ignite and will interfere with proper operation of decorative fronts.

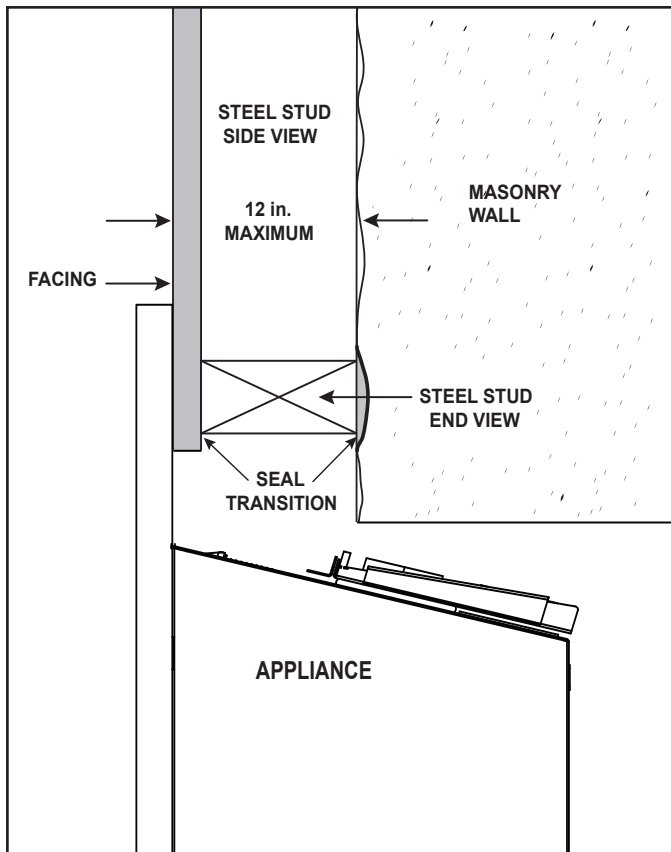


Figure 3.10 Transition Sealing Detail for Wall Extensions (Side View)

### Wall Extension

Wall extension must be sealed to existing masonry wall. See Figure 3.10. Framing studs may not sit flush against existing masonry wall. In order to keep heat from escaping behind the wall this transition must be sealed.

- Seal with a high temperature silicone 300 °F (149 °C).  
and / or
- Packing insulation into voids between the masonry wall and steel studs is acceptable.

**Note:** Combustible materials may be used to seal wall extension to existing masonry wall as long as it is outside the non-combustible zone.

### Painting

If desired finishing includes a painted wall, a high-quality 100% acrylic latex paint with a high-quality latex primer base coat are recommended around the appliance to limit discoloration. Oil-based or standard acrylic paints may be more prone to discoloration due to heat exposure.

### Drywall Joint-Crack Prevention and Repair

Drywall joints around the fireplace will be affected by exposure to elevated temperatures, along with other environmental, structural factors due to new construction, and methods used to install and finish the drywall. If a crack does emerge adjacent to the fireplace, it can be permanently repaired by filling it with a paintable latex caulk, followed by repainting.

Some movement of the screws used to secure the non-combustible board to the appliance/surround framing is expected. If a blemish begins to show over a screw head, sand the surface to remove the blemish and repaint.

**NOTE: Concealed sections of 3 in. flex pipe must be contained inside existing masonry fireplace flue vent or installed into an existing wood burning vent system.**

## D. Mantel, Wall Projections, & Hearth Extensions

**WARNING! Risk of Fire!** Comply with all minimum clearances to combustibles as specified. Framing or finishing material closer than the minimums listed must be constructed entirely of noncombustible materials (i.e., steel studs, concrete board, etc).

Clearance to combustible material under the insert is 1/4 inch (6 mm).

- Use leveling legs to raise insert minimum 1/4 inch (6 mm) above combustible material or outer wrap of factory built firebox.

Combustible facings must not extend behind the insert surround. For non-combustible material specifications refer to Section 1.E and 1.F.

### Mantel Legs or Wall Projections

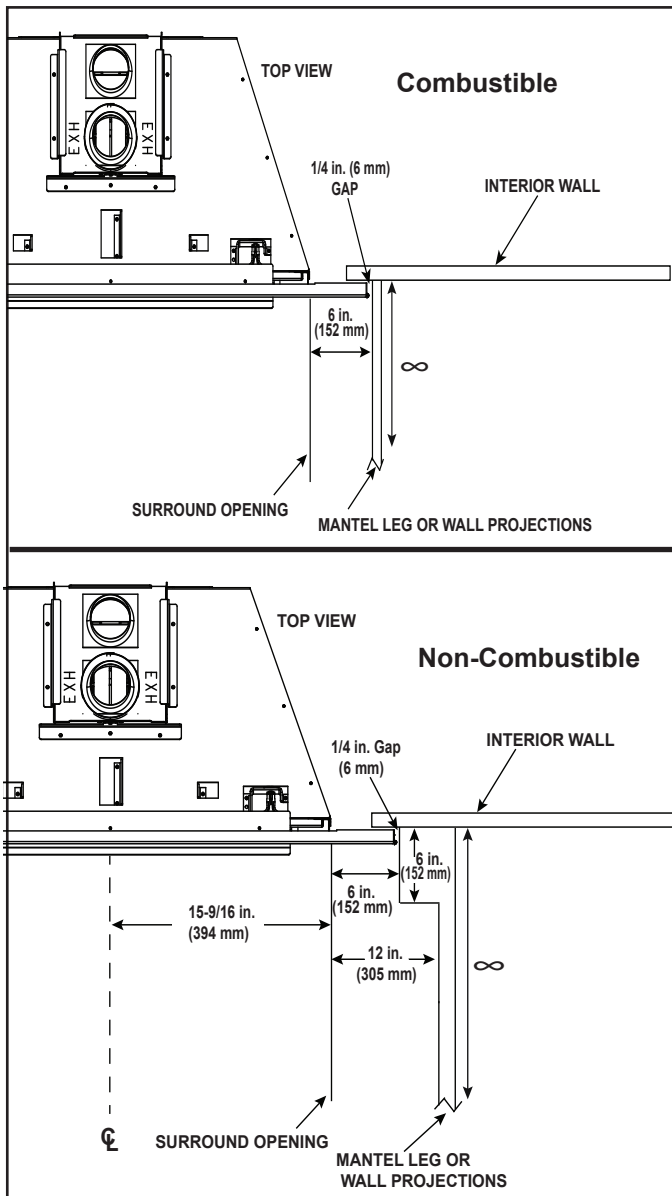


Figure 3.11 Clearances to Mantel Legs or Wall Projections (Acceptable on both sides of surround opening)

### Mantels or Wall Projections - Non-Combustible

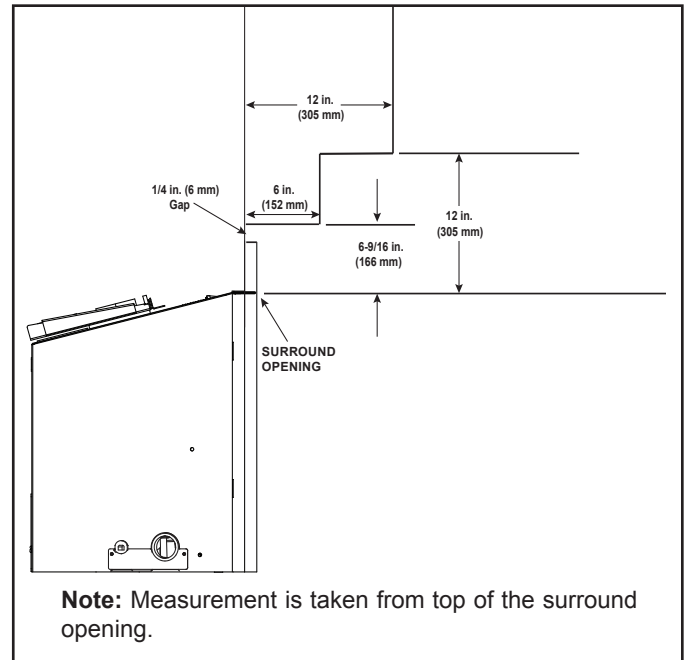


Figure 3.12 Minimum Vertical and Maximum Horizontal Dimensions - Non-Combustible

### Mantels - Combustible

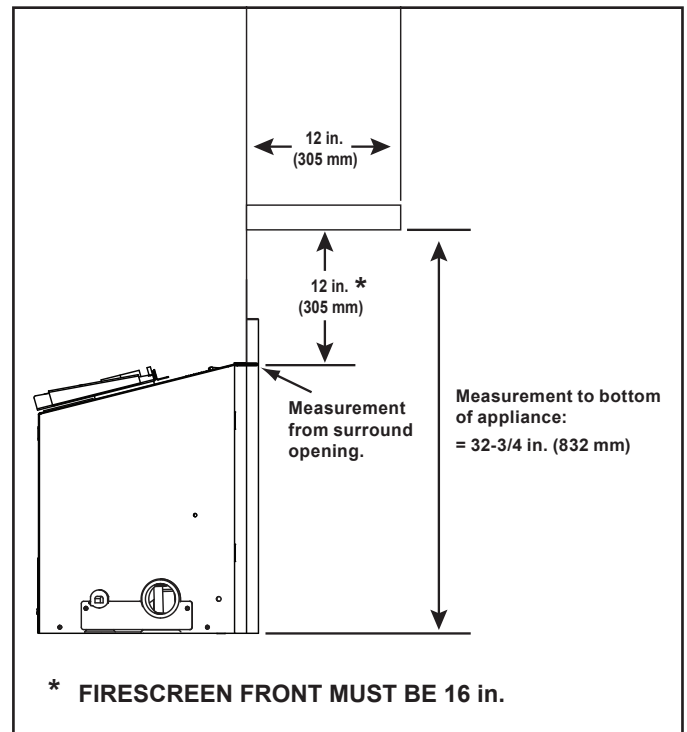


Figure 3.13 Minimum Vertical and Maximum Horizontal Dimensions - Combustible



## E. Hearth Extension

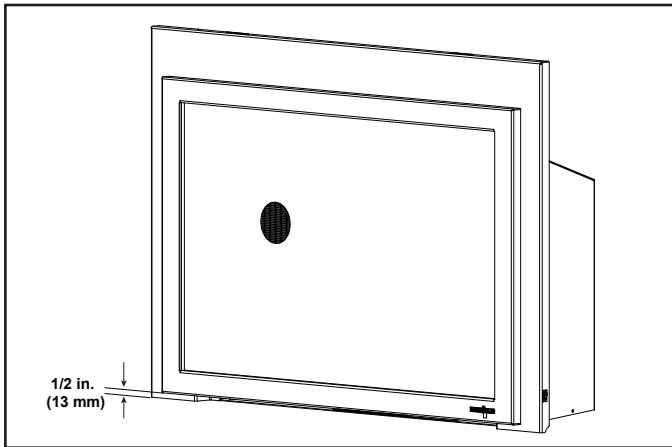


Figure 3.14 Minimum Required 1/2 in. (13 mm) Gap to Bottom of Front

- 1/2 in. (13 mm) gap under the bottom of the front must be maintained. See Figure 3.14.
- A minimum 1/4 in. (6 mm) gap from the bottom of the appliance to any floor surface is **REQUIRED**. See side view in Figure 3.17.
- Combustible flooring underneath the appliance is acceptable with a 1/4 inch gap. See Figure 3.17.
- Combustible flooring can NOT be installed directly in front of the appliance unless the appliance is raised 4 inches (102 mm) off of the floor.
- When the appliance is raised off the floor 4 inches (102 mm) or more, combustible flooring in front of the appliance is acceptable. Exception, no carpet, vinyl or adhesive flooring when appliance is between 4 inches (102 mm) - 7-1/2 inches (191 mm) off the floor. See Figure 3.16.

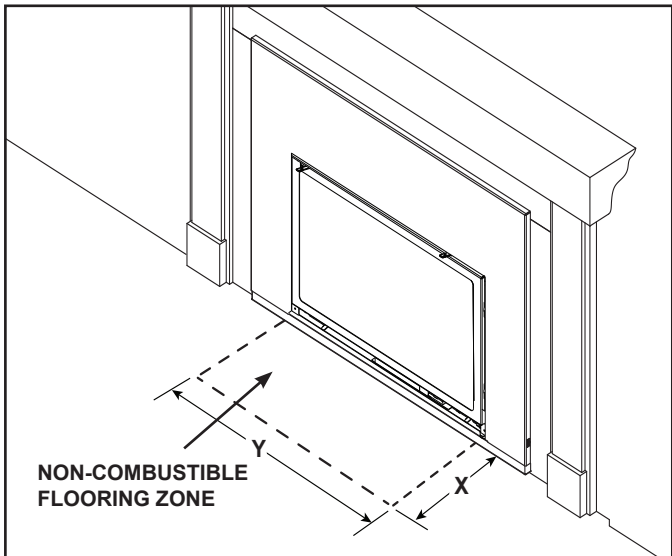


Figure 3.15 Hearth - Non-Combustible Flooring Zone

### Non-Combustible Flooring Zone

Depth (X)	Width (Y)
16 in. (406 mm)	30-3/4 in. (781 mm)

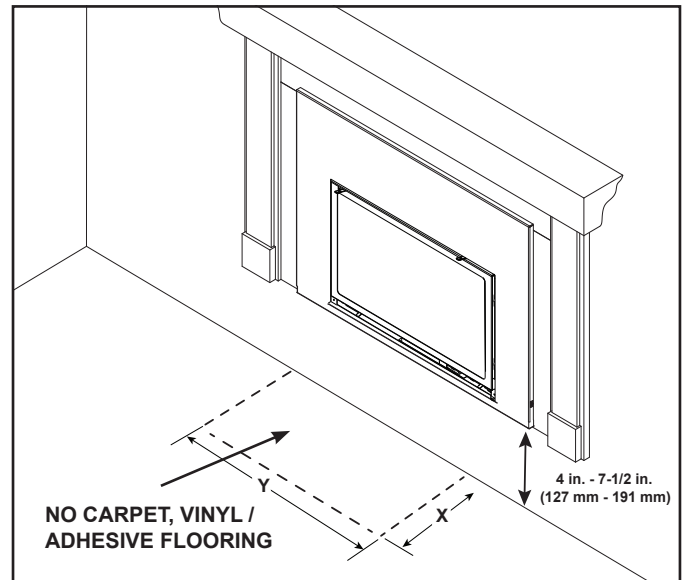


Figure 3.16 Hearth - Combustible Material Acceptable

### Carpet, Vinyl / Adhesive Flooring Minimums

Depth (X)	Width (Y)
16 in. (406 mm)	30-3/4 in. (781 mm)

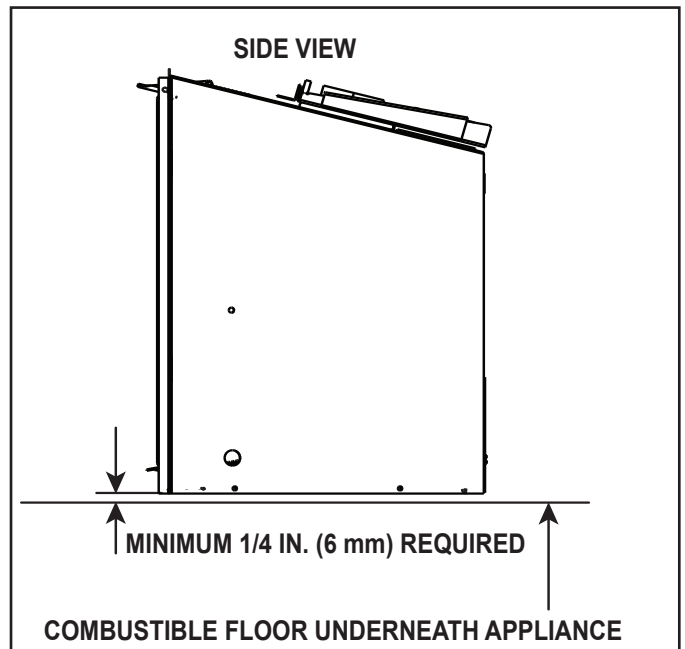


Figure 3.17 Solid Fuel Floor Clearance

# 4 Installation Preparation

Prepare the existing solid fuel masonry or factory built non-combustible firebox for installation.

## A. Cleaning

Prior to installing the gas insert:

- Ensure that the woodburning fireplace cavity is clean and free of ash, soot, and other debris.

## B. Flue Damper

Fully lock the solid fuel fireplace's flue damper in the open position, OR completely remove it.

## C. Gas Line

**Note:** If the factory built fireplace has no gas access hole provided, an access hole of 1 inch (25 mm) diameter or less may be drilled through the lower sides or bottom of the firebox in a proper workmanship - like manner. This access hole must be plugged with non-combustible insulation after the gas supply line has been installed.

- Install gas line to the factory provided flex line. See Figure 4.1.
- Check local codes and gas line sizing requirements following AS/NZS 5601. See Section 7.
- It is recommended that extra length of gas line be installed within the existing wood burner or masonry fireplace to allow removal of the insert for future servicing needs.



Figure 4.1

## D. Fireplace Conversion Notice

The fireplace conversion notice is included in the appliance manual bag. Permanently attach the label with the following warning to the inside lower back of the fireplace firebox into which the insert is being installed. Silicone or mechanical fasteners may be required to properly secure the label.

**WARNING! Risk of Fire!** This fireplace has been converted for use with a gas fireplace insert only and cannot be used for burning wood or solid fuels unless all original parts have been replaced, and the fireplace re-approved by the authority having jurisdiction.

## E. Electrical Outlet Box

An outlet box may be installed in a bottom back corner of the existing solid fuel masonry or factory built fireplace to power the appliance. Each unit ships standard with a cord assembly to permit blowers or other optional accessories to be used. The accessories plug into the new outlet box or may be routed out onto the hearth to a nearby outlet.

**NOTICE: DO NOT wire 220/240 VAC to wall switch.**

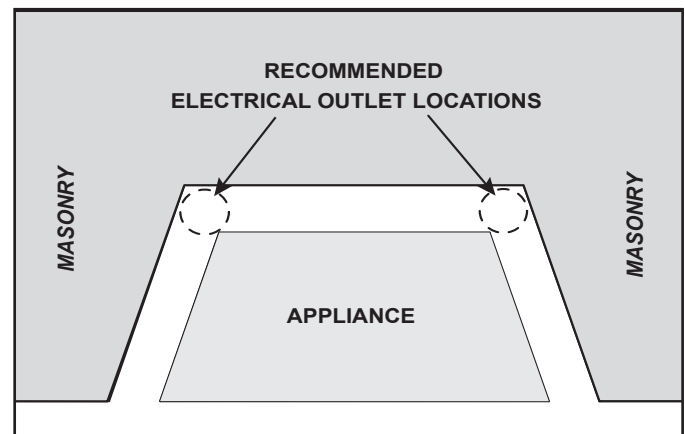


Figure 4.2 Electrical Outlet Detail

### Appliance Cord Length (approximate)

Left Side	Right Side
10 ft. 3 in. (3124 mm)	7 ft. 6 in. (2286 mm)

# 5 Installing Vent Pipe and Appliance

## A. Vent Limits

The abbreviations listed in this vent table key are used in the vent diagrams.

Description
Minimum Vertical Run Length 13 ft. (3962 mm)
Maximum Vertical Run Length 50 ft. (15.24 m)

**WARNING! Risk of Fire/Explosion/Asphyxiation! Do NOT connect this gas appliance to a chimney flue serving a separate solid fuel or gas burning appliance.**

- Could impair safe operation of this appliance or other appliances connected to the flue.
- Vent this appliance directly outside.
- Use separate vent system for this appliance.

**CAUTION! ALL vent specifications MUST be followed.** This product is tested and listed to these specifications. Appliance performance will suffer if specifications are not followed.

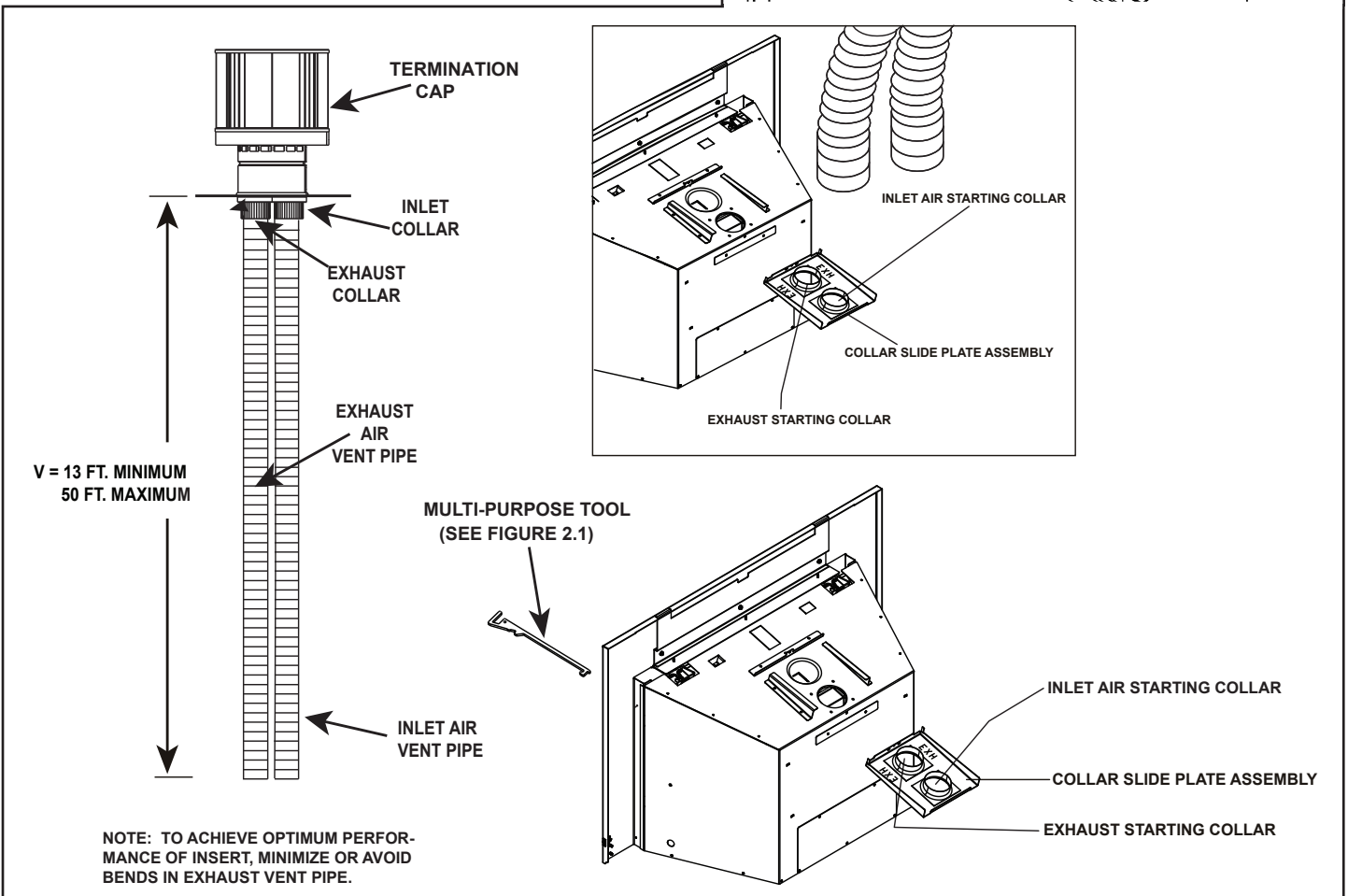
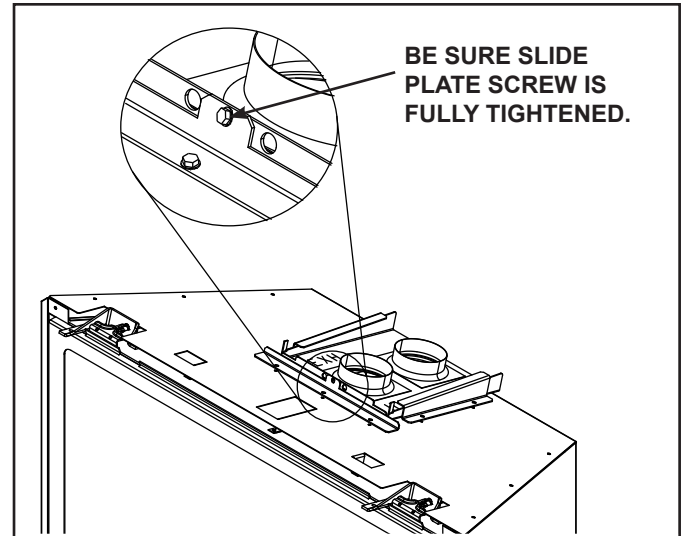


Figure 5.1

## B. Using Vertical Restrictor

When 26+ feet (7925+ mm) of vertical venting is used, vertical restrictors will need to be adjusted. See Figure 5.2 and 5.3.

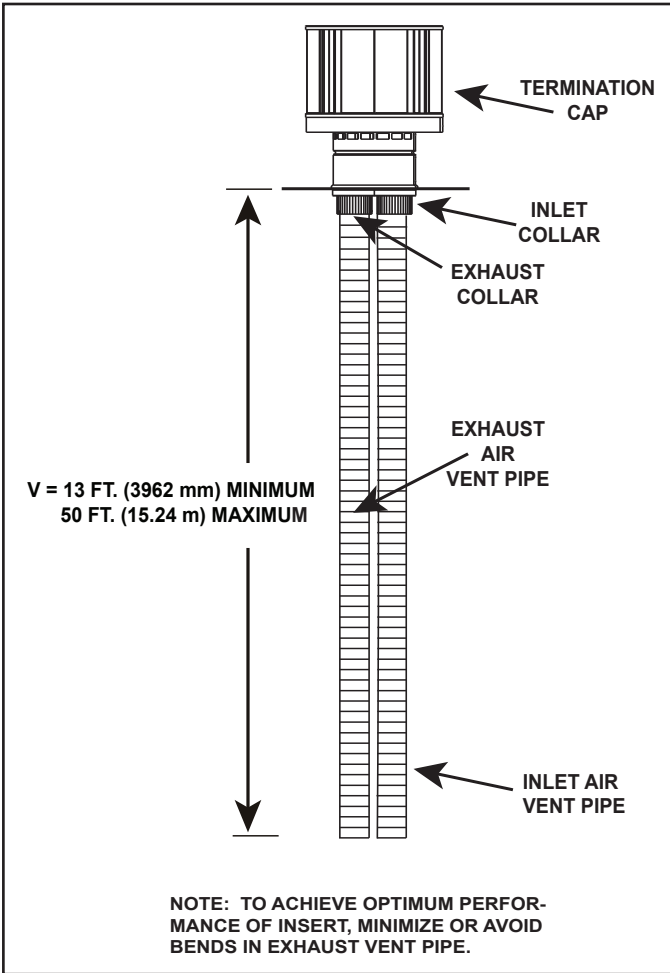


Figure 5.2 Min. / Max. Venting Requirement

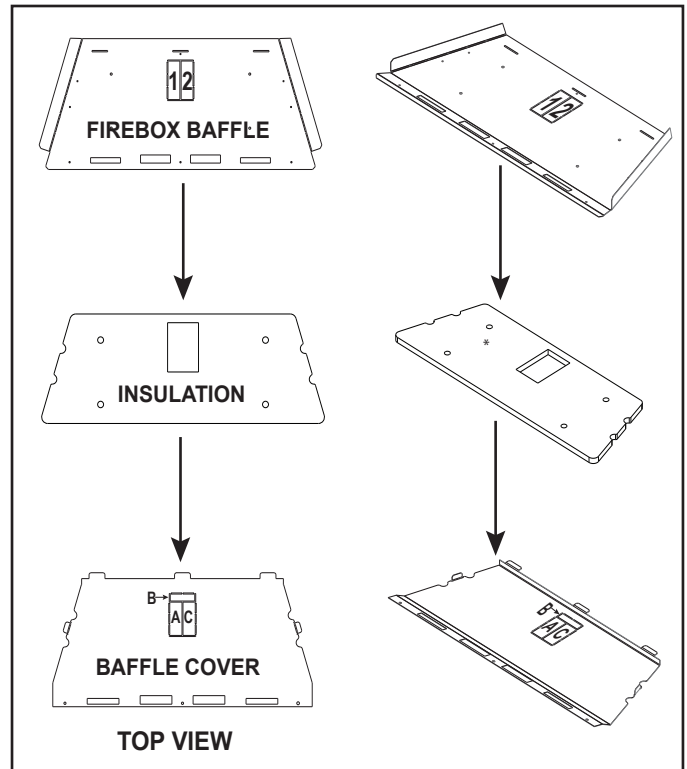


Figure 5.3 Firebox Baffle System

To open restrictors, push the restrictor doors upward. The restrictor doors should be bent at a 90°.

Opening restrictors will help reduce cold start issues (cycling).

V=	13 ft. - 25 ft. (3962 mm - 7620 mm)	No adjustment needs to be done.
	26 ft. - 35 ft. (7925 mm - 10.67 m)	Open 1 restrictor door on baffle and either A or C and B baffle cover. <b>Note:</b> If 1 is opened on baffle, A must be opened on baffle cover or vice-versa. See Figure 5.3 and 5.4.
	36 ft. - 50 ft. (10.97 m - 15.24 m)	Open both restrictor doors on baffle and A, B, & C on baffle cover. See Figure 5.5.



Figure 5.4 Baffle Half Open



Figure 5.5 Baffle Open

## Natural Gas Restrictor Plate Installation

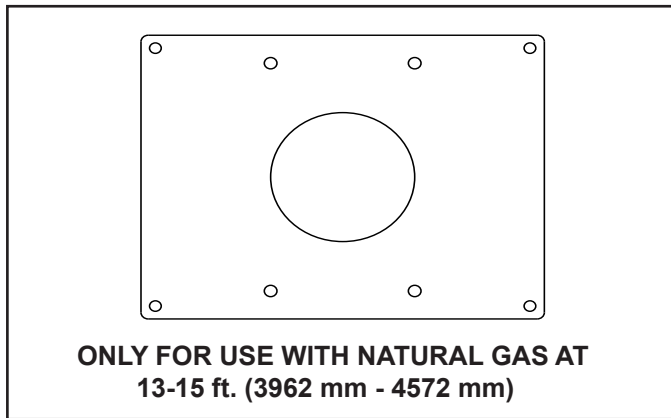


Figure 5.6 Natural Gas Restrictor Plate

**Note:** Restrictor plate is located in manual bag.

1. Remove three (3) screws from front edge of baffle cover. See Figure 5.7.

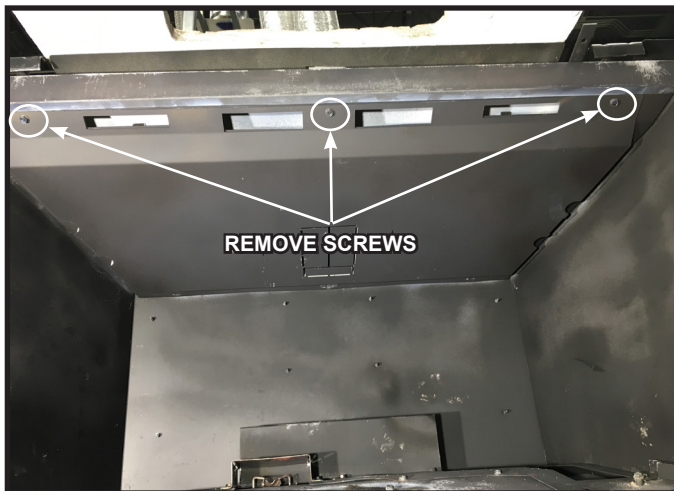


Figure 5.7 Remove Baffle Cover

2. Swing baffle cover and insulation down and slide out from three slots in baffle. See Figure 5.8.

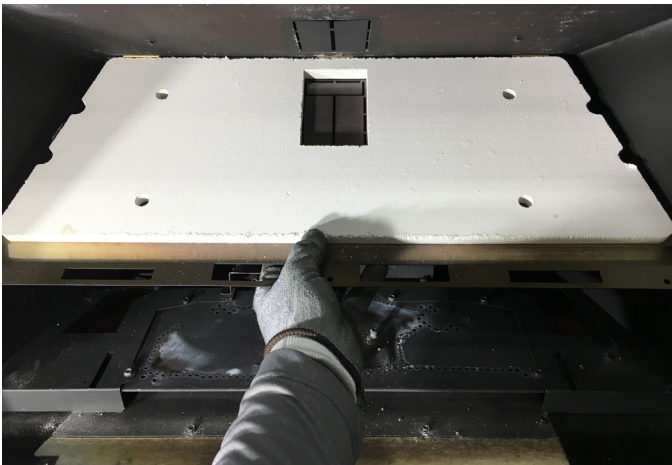


Figure 5.8 Insulation Removal

3. Remove four (4) screws holding baffle in place.
4. Locate natural gas restrictor plate on screws points coming through firebox top. Secure in place with four (4) self-tapping screws (located in manual bag). See Figure 5.9.

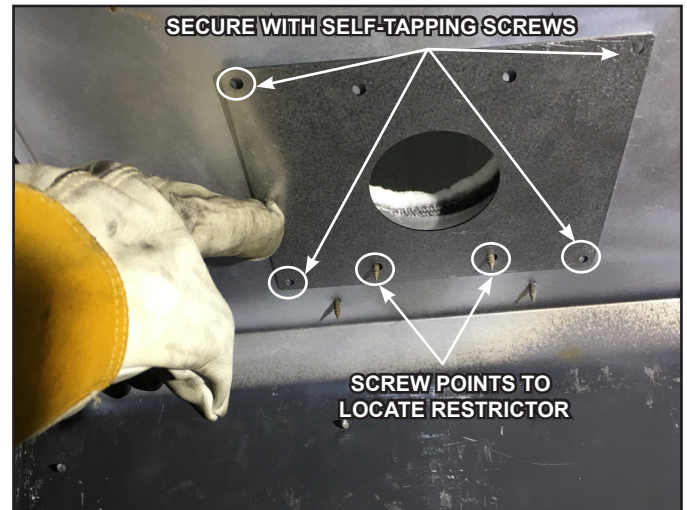


Figure 5.9 Natural Gas Restrictor Plate

## C. Venting Components

**CAUTION! Risk of Cuts/Abrasions/Flying Debris.**  
Wear protective gloves and safety glasses during installation. Sheet metal edges are sharp.

The vertical vent termination system installed on this model includes:

- One length of 3 in. (76 mm) flexible vent pipe for exhaust air (included with vent kit).
- One length of 3 in. (76 mm) flexible vent pipe for combustion air (included with vent kit).
- One vertical termination cap (included with vent kit).

To prevent odors and cold air drafts, it may be necessary to place non-combustible insulation or field fabricated metal plates around the vent pipe flues as they go through the damper.

**NOTE:** For extreme rain / wind conditions TVHW RAIN SHIELD can be added to the termination cap. See Figure 10.2.

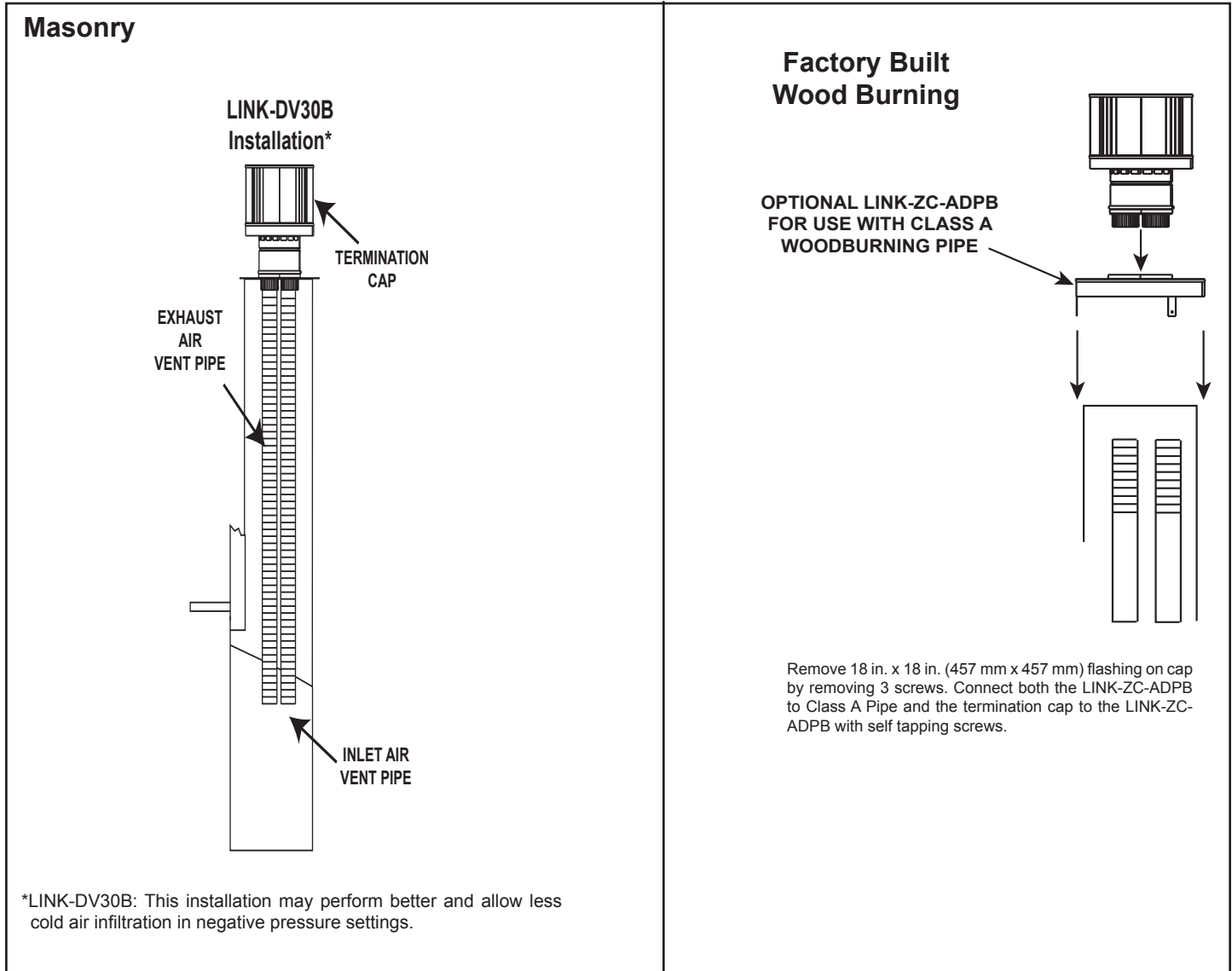


Figure 5.10

## D. Connecting to SLP

### Terminating horizontally is not allowed.

Vertical terminations are measured to top of chimney.

This appliance is listed for use with LINK-DV systems and components only. It is permissible to extend venting above existing chimney (within specified maximum vertical limits) using SLP series 6-5/8 in. (168 mm) gas direct-vent pipe. Connection is made using DV-46DVA-GK.

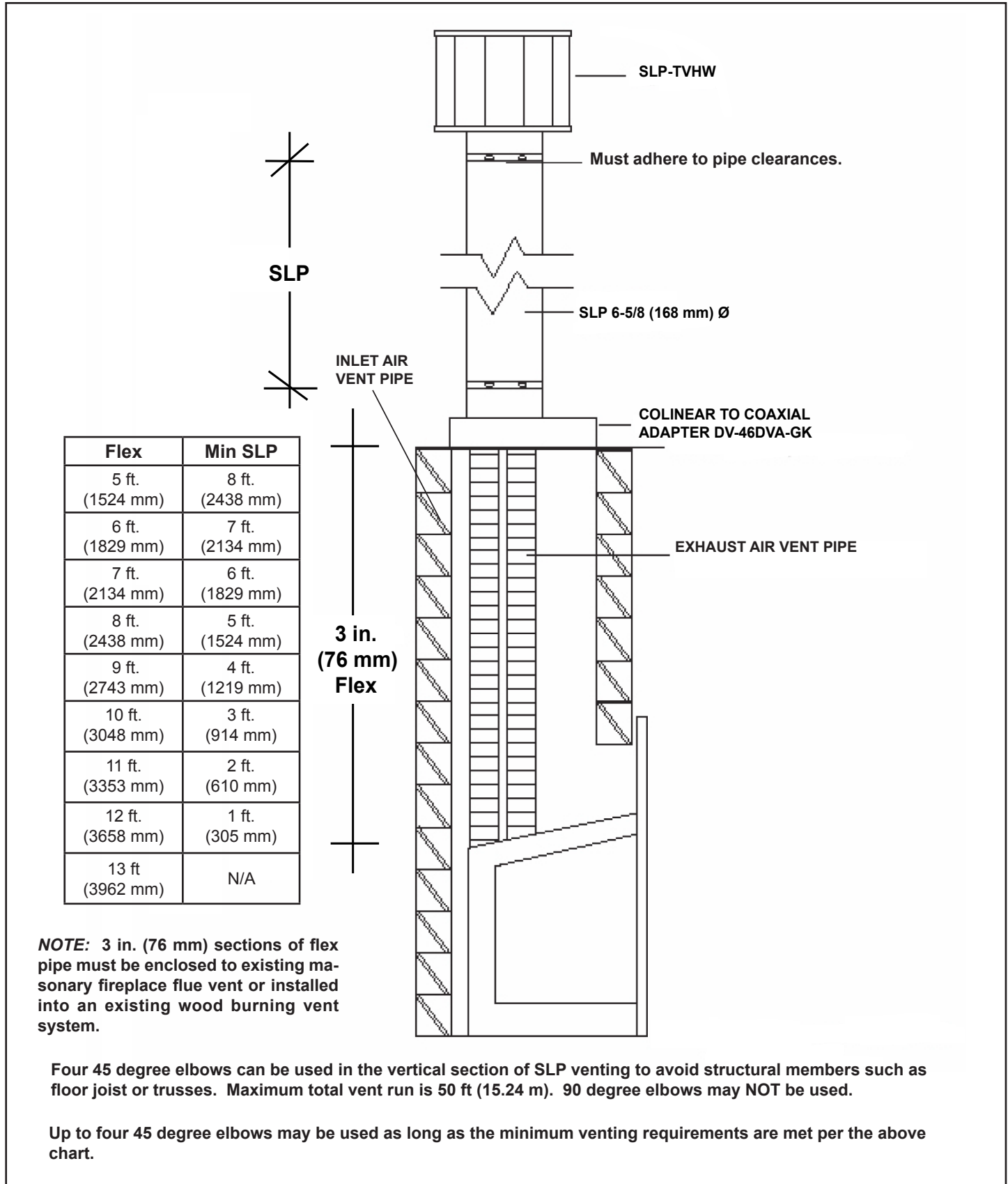


Figure 5.11 Optional SLP Venting Configuration - Vertical Termination

## E. Connecting Vent Pipe

Reference instructions in the termination kit.

- Install the 3 in. (76 mm) flexible vent pipe(s) down through the chimney.
- Secure the exhaust flexible vent pipe to the exhaust starting collar on top of the appliance with three screws. See Figure 5.1.
- Use 3 screws to attach the section of inlet air vent to the inlet collar on the collar slide plate. See Figure 5.1. NOTE: The collar slide plate may be removed from appliance to aid installation and service.

For best results in cold climate be sure 3 in. (76 mm) flex is flush and tight to the collar slide plate. Seal with stove cement or aluminum foil tape. Do not use silicone.

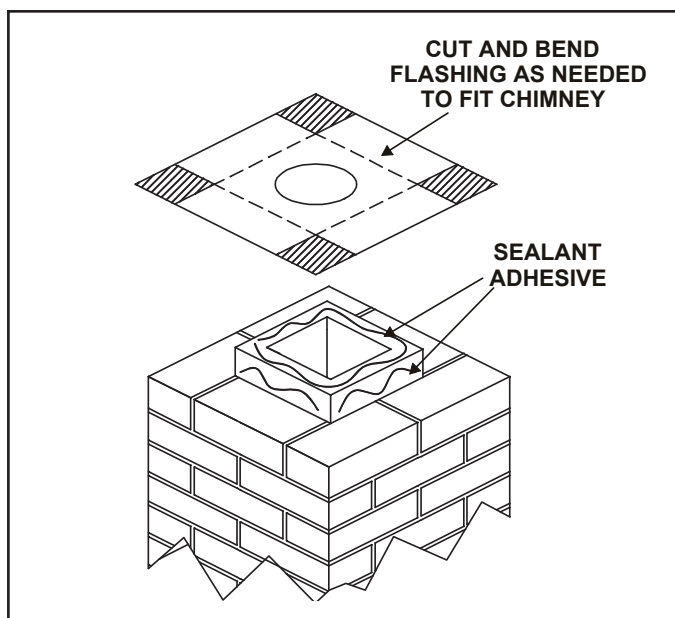


Figure 5.12

- Trim chimney top plate to minimize excess overhang or bend over flue tile. See Figure 5.12.
- Place 3/8 in. (10 mm) bead of **300 °F (149 °C minimum continuous exposure rating)** silicone on flue tile top.



## F. Placing, Securing and Leveling the Appliance

**WARNING! Risk of Explosion/Combustion Fumes!**  
Connect vent sections per installation instructions.

- Connect exhaust vent pipe **ONLY** to exhaust starting collar and termination cap center collar.
- Connect inlet air vent **ONLY** to inlet air collar on appliance and either the termination cap inlet air collar.
- **DO NOT** allow vent to sag below connection point to appliance.
- Install insert (without surround attached) into existing fireplace while pulling collar slide plate forward.
- Install gas line into hole provided on side. See Figure 5.13.
- Secure collar slide plate to appliance by securing with #8 screw. See Figure 5.1.
- Level the appliance from side to side and front to back. Adjust leveling bolts to desired vertical position so appliance is level. Use the leveling bolts included with the manual bag.
- Position any excess flexible vent pipe back up into chimney without sagging. Twist and push flex vent together to shorten.
- Attach surround. Follow instructions for surround installation included with the front.
- Push insert into the opening so that it tightly overlaps the fireplace opening.

**WARNING! Risk of Fire!** Only an approved Hearth & Home Technologies surround may be used to cover integral grills on solid fuel burning fireplaces. No other components such as shrouds, sheetmetal plates, etc., may be used to seal off vents.

**WARNING! Risk of Explosion!** Failure to position the parts in accordance with these diagrams or failure to use only parts specifically approved with this appliance may result in property damage or personal injury.

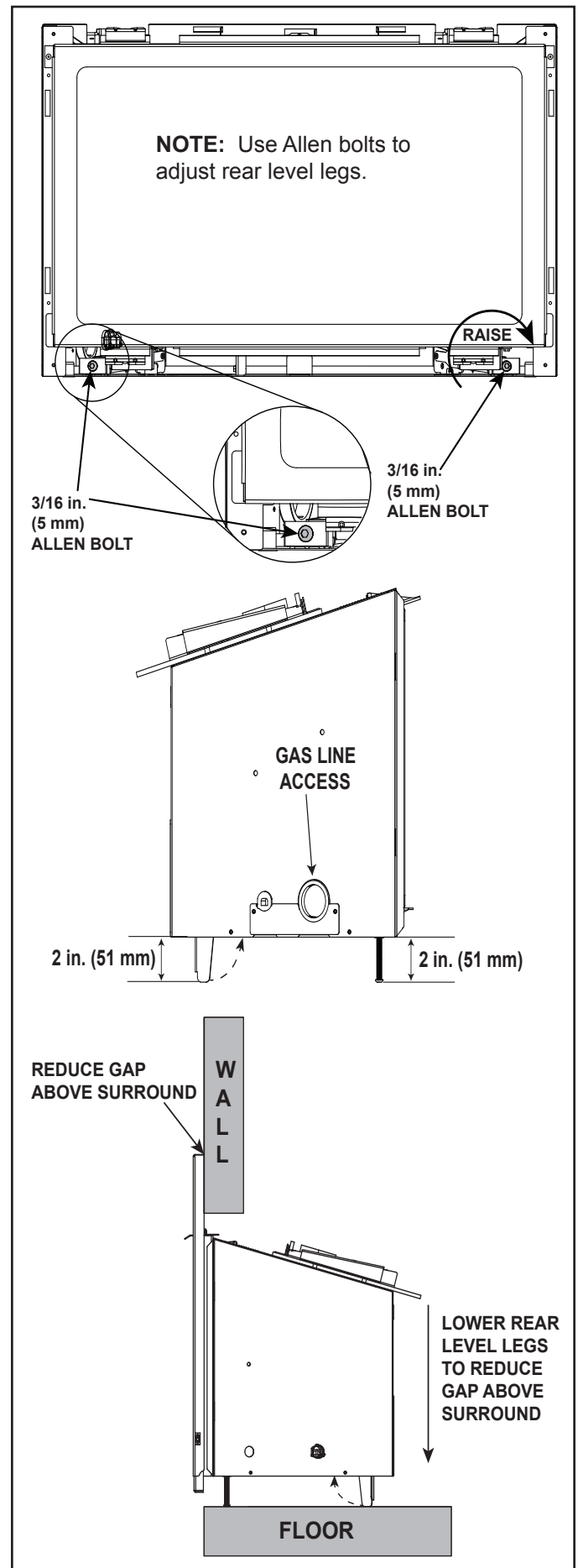


Figure 5.13 Leveling Leg Detail

## G. Installing Termination Cap

**WARNING**

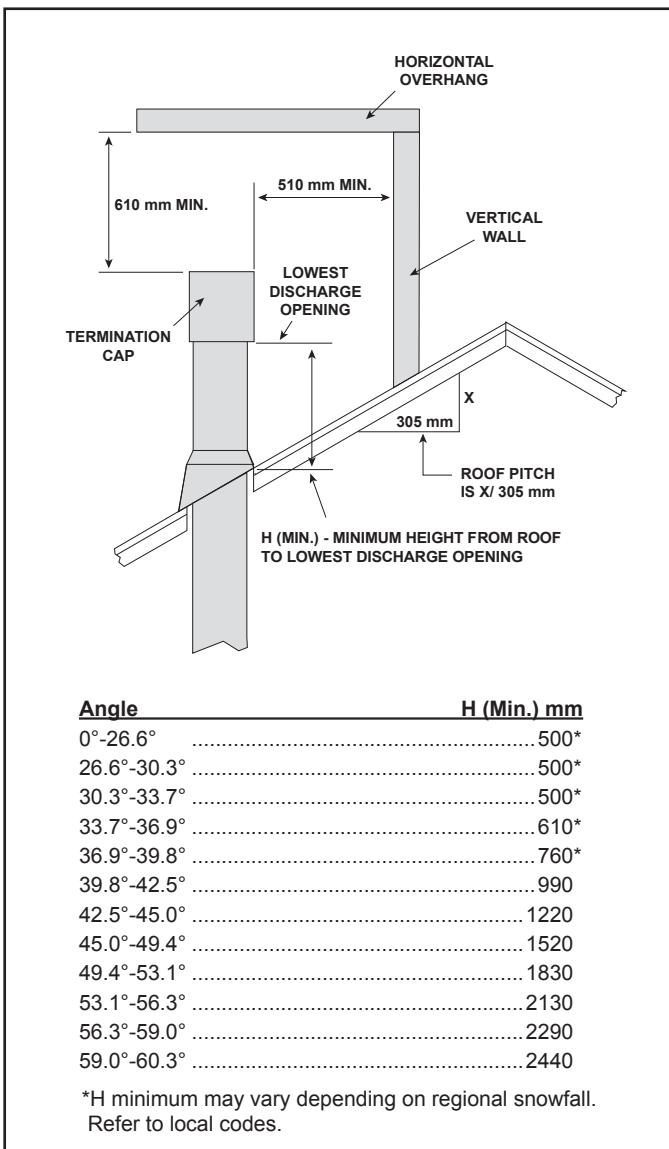
Fire Risk.  
Maintain vent clearance to combustibles as specified.

- **DO NOT** pack air space with insulation or other materials.

Failure to keep insulation or other materials away from vent pipe may cause overheating and fire.

**CAUTION! Risk of Cuts/Abrasions/Flying Debris.**  
Wear protective gloves and safety glasses during installation. Sheet metal edges are sharp.

For installation of termination cap see minimum vent heights for various pitched roofs. See Figure 5.14.



**Figure 5.14 Minimum Height from Roof to Lowest Discharge Opening**

# 6 Electrical Information

## A. General Information

**WARNING! Risk of Shock or Explosion! DO NOT wire 220/240 VAC to the valve or to the appliance wall switch. Incorrect wiring will damage controls.**

- This appliance comes with a 220/240 VAC cord assembly. An outlet box may be installed in a bottom back corner of the existing solid fuel masonry or factory built fireplace to plug in the cord assembly, or the supplied power cord may be routed out onto the hearth to a nearby outlet.
- A 220/240 VAC circuit for this product must be protected with ground-fault circuit-interrupter protection, in compliance with the applicable electrical codes, when it is installed in locations such as in bathrooms or near sinks.
- Low voltage and 220/240 VAC voltage cannot be shared within the same wall box.
- In some instances, the spark ignition of the fireplace may cause intermittent, non-damaging, interference during the lighting sequence with a TV plugged into the same circuit. It is recommended that the fireplace and TV use different circuits to mitigate the interference potential. If interference is occurring on the same circuit, the use of surge protectors may help alleviate the interference.

**NOTICE: DO NOT wire 220/240 VAC to wall switch.**

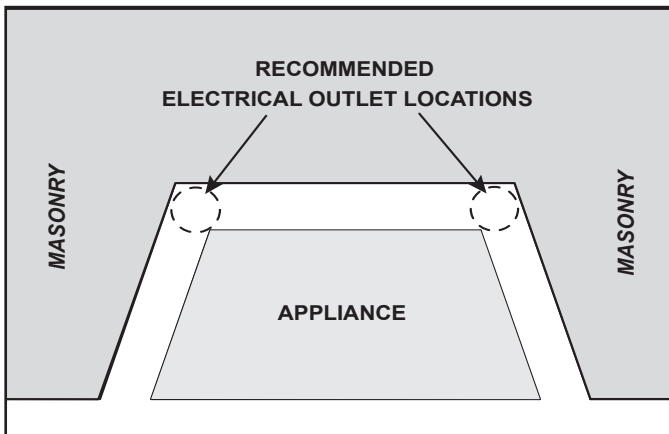


Figure 6.1 Electrical Outlet Detail

## Appliance Cord Length (approximate)

Left Side	Right Side
10 ft. 3 in. (3124 mm)	7 ft. 6 in. (2286 mm)

## Electrical Service and Repair

**WARNING! Risk of Shock! Label all wires prior to disconnection when servicing controls. Wiring errors can cause improper and dangerous operation. Verify proper operation after servicing.**

**WARNING! Risk of Shock! Replace damaged wire with type 105 °C rated wire. Wire must have high temperature insulation.**

- Refer to Service Parts section of appliance Owner's Manual for replacement part information.

## Reset Switch

- A reset switch is included with the appliance surround and should be attached to the side of the surround. See Installation instructions shipped with the appliance front.

## B. Wiring Requirements

### IntelliFire™ Plus Ignition System Wiring

**WARNING! Risk of Shock or Explosion! DO NOT** wire IPI controlled appliance junction cord to a switched circuit. Incorrect wiring will override IPI safety lockout.

- Refer to Figure 6.2, IPI Wiring Diagram.
- This appliance is equipped with an IntelliFire™ Plus control valve which operates on a 6 volt/1.5 AMP system.
- Ensure the 6 volt transformer is plugged into the appliance power cord to supply power to the unit OR install 4 AA cell batteries (not included) into the battery pack before use.
- This appliance is required to have a means of electrical isolation adjacent to appliance location and accessible with the appliance installed. See AS/NZS 5601 for acceptable options.
- Reset switch must be installed and in the “ON” position for appliance to operate.

## Accessories Requirements

- This appliance ships standard with a remote control.
- Wiring for optional Hearth & Home Technologies approved accessories should be done now to avoid reconstruction. Follow instructions that come with those accessories.

**CAUTION! Risk of Overheating! Component heat shield MUST** be installed before operating appliance. Electrical components will be damaged.

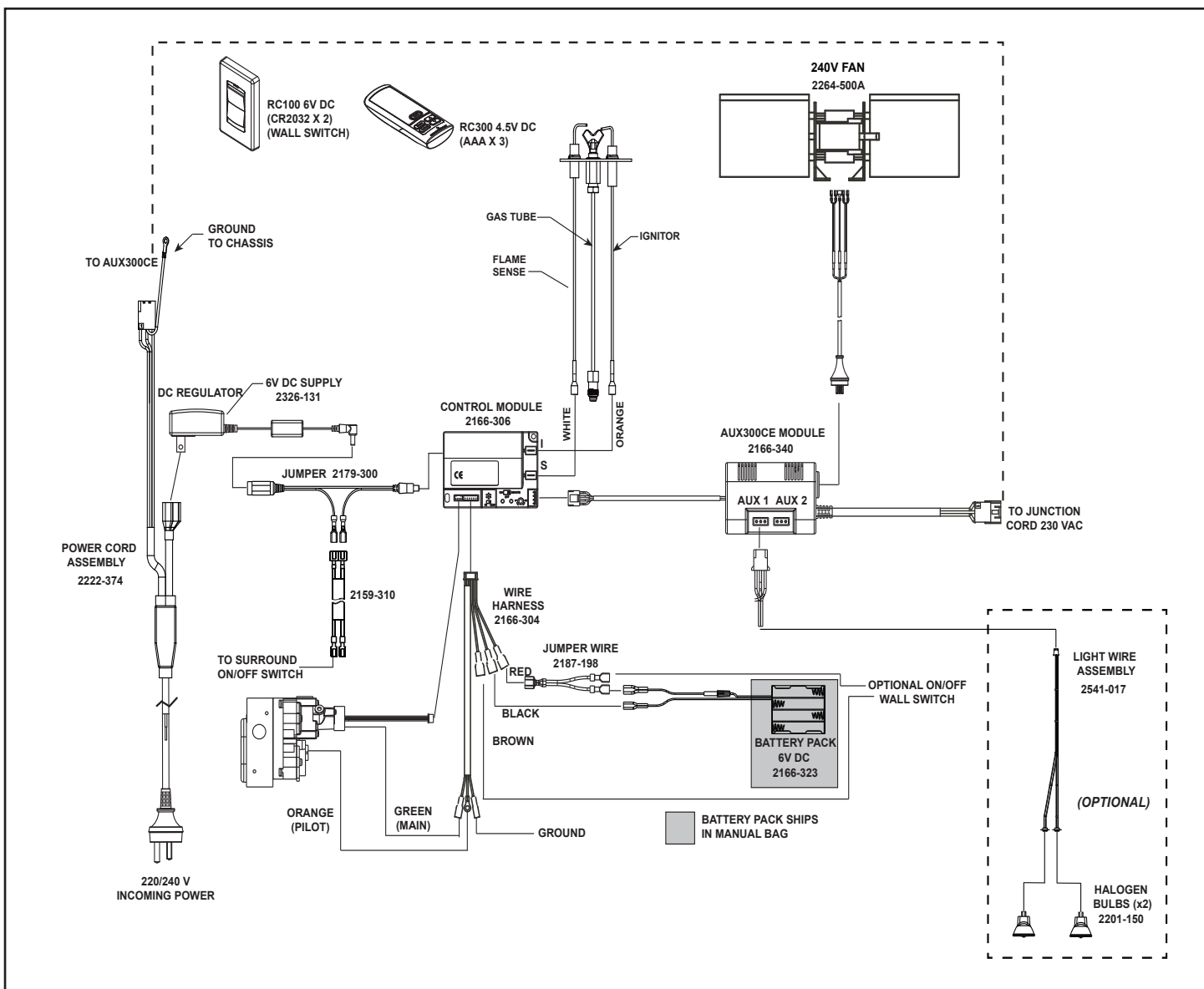


Figure 6.2 IntelliFire™ Plus Wiring Diagram with Remote

## Battery Pack

Battery pack is not factory installed in appliances. See appliance manual bag for battery pack. Battery pack should only be installed during power outages.

**NOTICE:** *Batteries should only be used as a power source in the event of an emergency power outage. Batteries should not be used as a primary long-term power source. Battery polarity must be correct when installing batteries.*

Do not store batteries in the battery pack when the appliance is powered by the 6 volt transformer connected to permanent electrical service. Store battery pack in appliance manual bag when not in use.

## Halogen Lights (Optional)

Halogen lights are Optional.

## C. Installation / Service for Fan

On units already installed, removal of decorative front and gas insert may be required.

### Option 1:

- Detach flexible liner from top of unit if insert is installed by removing the collar slide plate screw. See Figure 5.1.
- Remove the five screws on the rear cover plate. See Figure 6.3.
- Service / replace the fan. Figure 6.2 shows a wiring diagram.
- Reinstall the cover plate back on the unit.
- Reattach flexible liner and replace collar slide plate screw. See Figure 5.1.

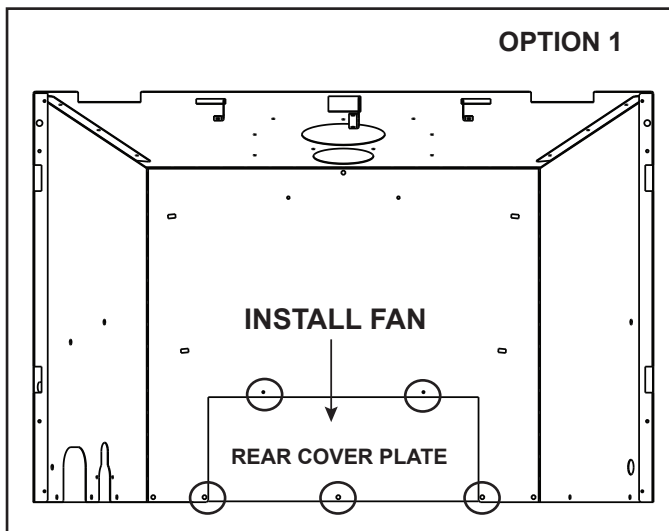


Figure 6.3 Cover Plate Removed (Option 1)

### Option 2:

- Remove appliance front, glass, logs, base pan assembly, burner assembly and valve plate assembly. See Figure 6.4.
- Service / replace the fan. Figure 6.2 shows a wiring diagram.
- Reinstall valve plate assembly, burner assembly, base pan assembly, logs and appliance glass and front.

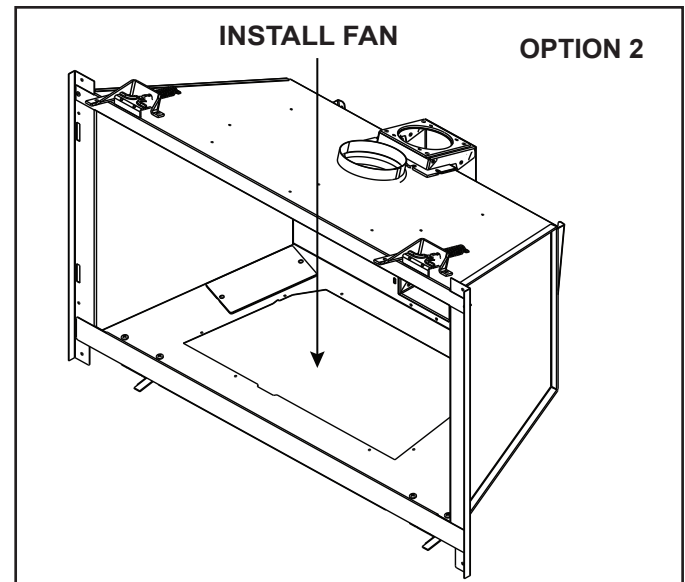


Figure 6.4 Through Valve Plate Opening (Option 2)

## D. Installation / Service for Halogens (Optional)

On units already installed, removal of decorative front and gas insert may be required.

### Option 1:

- Detach flexible liner from top of unit if insert is installed by removing the collar slide plate screw. See Figure 5.1.
- Remove the five screws on the rear cover plate. See Figure 6.5.
- Install and wire the halogens per instruction shipped with the halogens kit. Figure 6.2 also shows a wiring diagram.
- Reinstall the cover plate back on the unit.
- Reattach flexible liner and replace collar slide plate screw. See Figure 5.1.

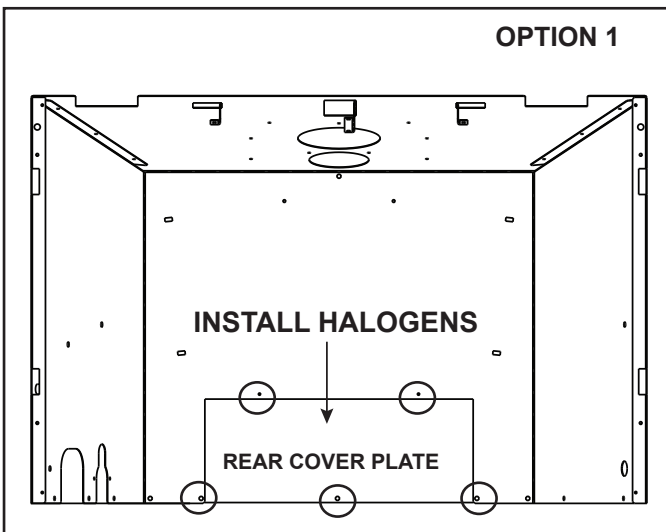


Figure 6.5 Cover Plate Removal (Option 1)

### Option 2:

- Remove appliance front, glass, logs, base pan assembly, burner assembly and valve plate assembly. See Figure 6.6.
- Install and wire the halogens per instruction shipped with the halogens kit. Figure 6.2 also shows a wiring diagram.
- Reinstall valve plate assembly, burner assembly, base pan assembly, logs and appliance glass and front.

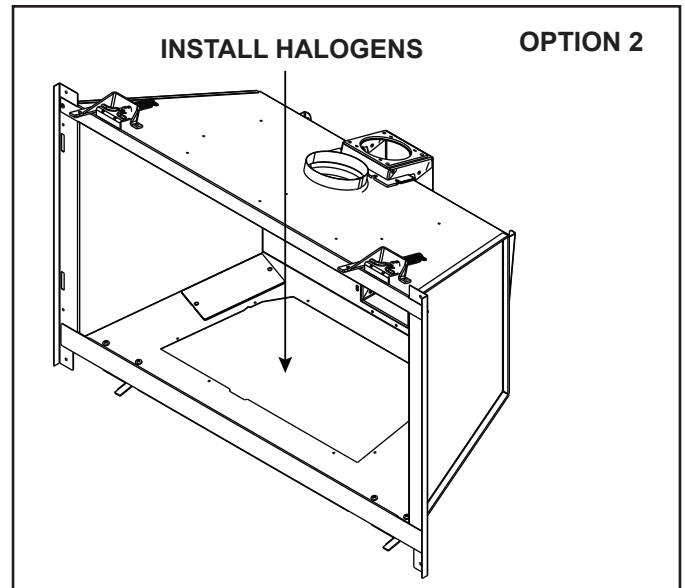


Figure 6.6 Through Valve Plate Opening (Option 2)

## E. Service / Replace Appliance Gas Valve

- See Figure 6.7.
- Remove appliance front, glass, logs, base pan assembly, burner assembly and valve plate assembly. See Figure 6.7.
- Service/Replace gas valve.
- Reinstall valve plate assembly, burner assembly, base pan assembly, logs and appliance glass and front.

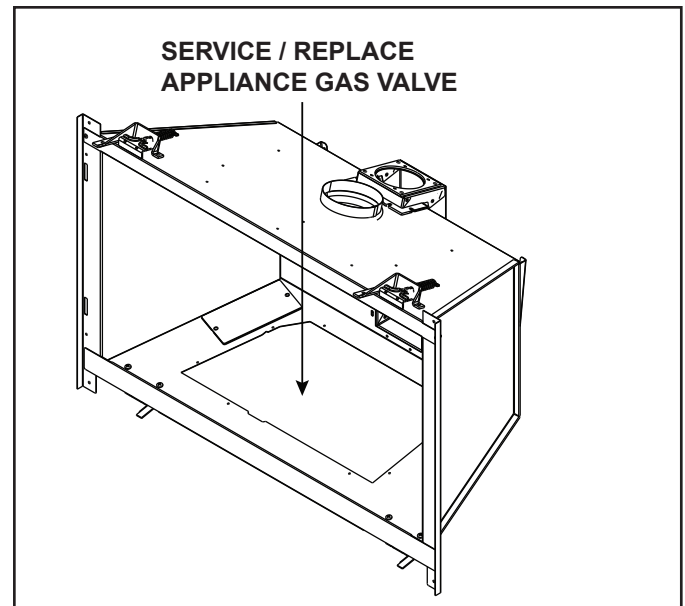


Figure 6.7 Gas Valve Detail

# 7 Gas Information

## A. Fuel Conversion

- Make sure the appliance is compatible with available gas types.
- Conversions must be made by a qualified service technician using Hearth & Home Technologies specified and approved parts.
- Reference the following diagrams for gas shut off detail and component access.

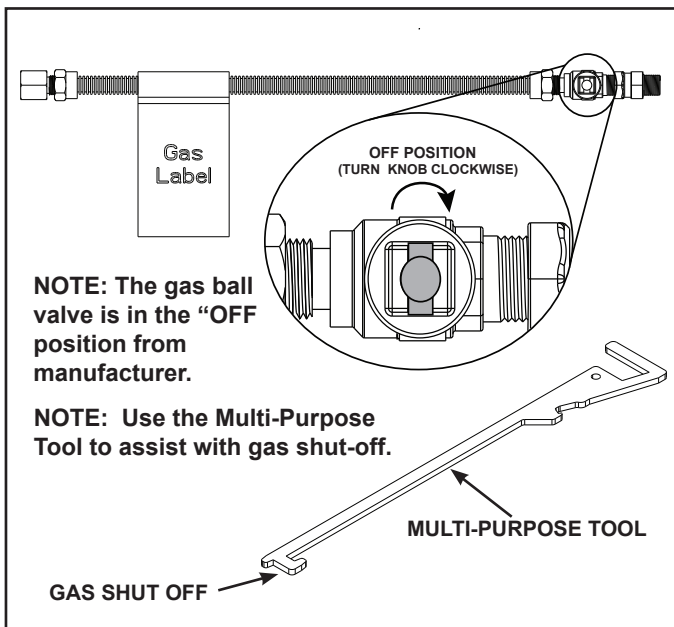


Figure 7.1 Gas Shut-off

- Use multi-purpose tool to assist with gas shutoff. See Figure 7.1. The gas ball valve is in the "OFF" position from manufacturer.
- Glass clip assemblies can be removed for additional component accessibility.

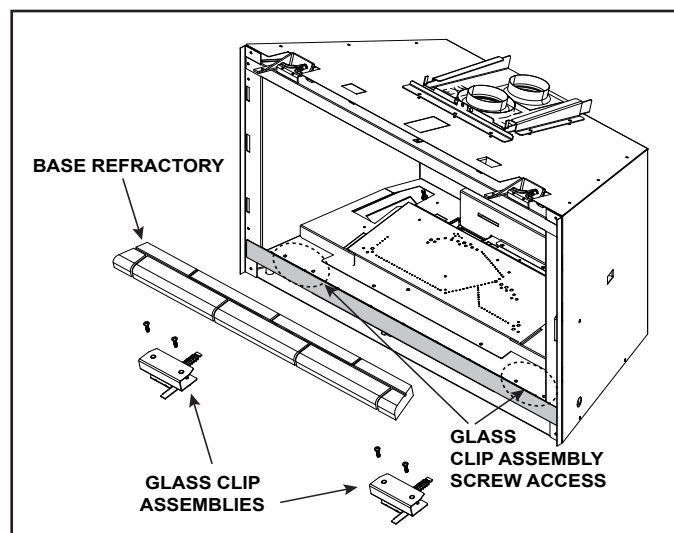


Figure 7.2 Glass Clip Assembly Removal

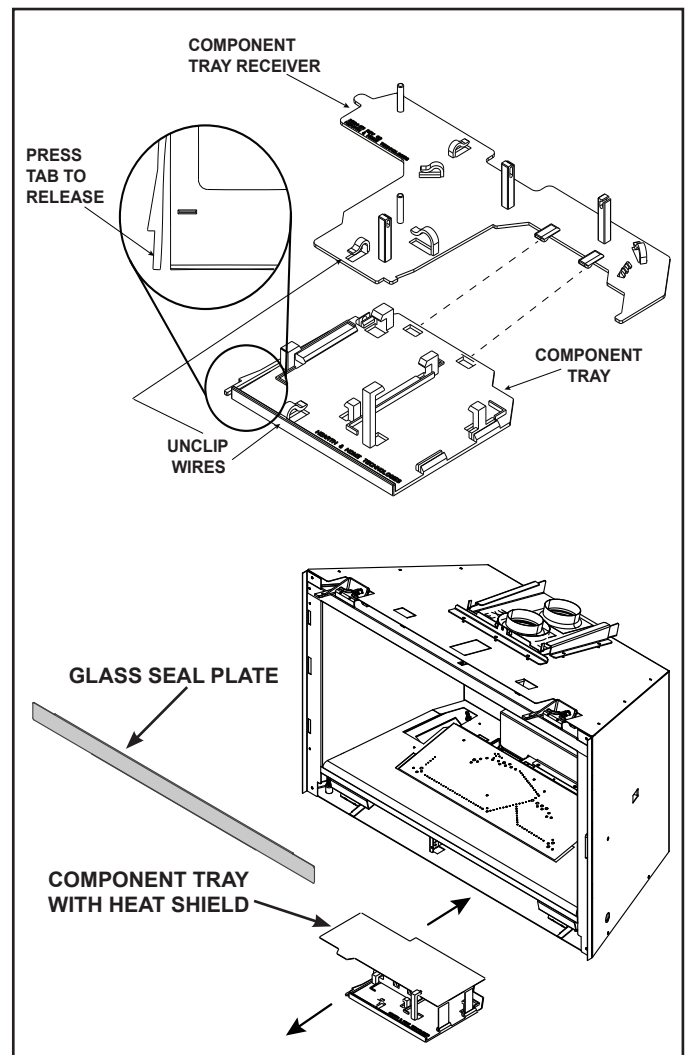


Figure 7.3 Component Tray

**WARNING!** Glass seal plate must be properly installed. Risk of elevated component temps and carbon monoxide exposure.

**CAUTION:** Be sure to reinstall the component heat shield before firing the appliance. Components will overheat.



## B. Gas Pressure

**WARNING! Risk of Explosion!** An in-line regulator **MUST** be installed if the gas pressure exceeds 3.4 kPa. Failure to install a regulator could damage valve.

Pressure requirements for I30X-AU fireplaces are shown in the table below.

Two taps are provided on the right hand side of the gas control for a test gauge connection to measure the inlet and outlet pressures.

The fireplace and its individual shut-off valve must be disconnected from the gas supply piping system during any pressure testing of the system at test pressures in excess of 6 kPa.



If the fireplace must be isolated from the gas supply piping system by closing an individual shut-off valve, it must be of the handle-less type.

- Optimum appliance performance requires proper input pressures.
- Pressure requirements are:

Gas Pressure	Natural Gas	Propane	ULPG
Minimum inlet pressure	1.13 KPa	2.75 KPa	2.75 KPa
Maximum inlet pressure	3.40 KPa	3.40 KPa	3.40 KPa
Manifold pressure	.87 KPa	2.49 KPa	2.49 KPa

**WARNING! Risk of Fire or Explosion!** High pressure will damage valve. Low pressure could cause explosion.

- Verify inlet pressures. Verify minimum pressures when other household gas appliances are operating.
- Install regulator upstream of valve if line pressure is greater than 3.40 KPa.

<b>⚠ WARNING</b>	
	<p>Fire Risk. Explosion Hazard. High pressure will damage valve.</p> <ul style="list-style-type: none"> <li>• Disconnect gas supply piping BEFORE pressure testing gas line at test pressures above 3.40 KPa (1/2 psig).</li> <li>• Close the manual shutoff valve BEFORE pressure testing gas line at test pressures equal to or less than 3.40 KPa (1/2 psig).</li> </ul>
	

## C. Gas Service Access

**Note:** This appliance does include a manual gas shutoff valve that is located in the valve compartment. This manual gas shutoff valve is accessible for service by removing the decorative front. The valve is most accessible if it is located forward in the control cavity of the appliance.

Depending upon local code, an additional manual gas shutoff, in a readily accessible area may be required and located upstream from the appliance.

## D. Gas Connection

- Refer to Reference Section 3 for location of gas line.
- The gap between supply piping and gas access hole may be caulked with caulk with a minimum of 300 °F (149 °C) continuous exposure rating or stuffed with non-combustible, unfaced insulation to prevent cold air infiltration.
- Ensure that gas line does not come in contact with outer wrap of the appliance. Follow local codes.
- Pipe incoming gas line to the factory supplied flex line. See Figure 7.4.
- Connect incoming gas line to the 1/2 in. (13 mm) connection on manual shutoff valve.

**WARNING! Risk of Fire or Explosion!** Support control when attaching pipe to prevent bending gas line.

- A small amount of air will be in the gas supply lines.

**WARNING! Risk of Fire or Explosion!** Gas build-up during line purge could ignite.

- Purge should be performed by qualified service technician.
- Ensure adequate ventilation.
- Ensure there are no ignition sources such as sparks or open flames.

Light the appliance. It will take a short time for air to purge from lines. When purging is complete the appliance will light and operate normally.

**WARNING! Risk of Fire, Explosion or Asphyxiation!** Check all fittings and connections with a non-corrosive commercially available leak-check solution. **DO NOT** use open flame. Fittings and connections could have loosened during shipping and handling.

**WARNING! Risk of Fire! DO NOT** change valve settings. This valve has been preset at the factory.



Figure 7.4

## E. High Altitude Installations

**NOTICE:** If the heating value of the gas has been reduced, these rules do not apply. Check with your local gas utility or authorities having jurisdiction.

When installing above 2000 ft. (610 m) elevation:

Reduce input rate 4% for each 1000 ft. (305 m) above 2000 ft. (610 m).

## F. Air Shutter Setting

Air shutter settings should be adjusted by a qualified service technician at the time of installation. The air shutter is set at the factory for minimum vertical vent run. Adjusting air shutter may be desired for longer vent runs. See Figure 7.5.

**NOTICE:** If sooting occurs, provide more air by opening the air shutter.

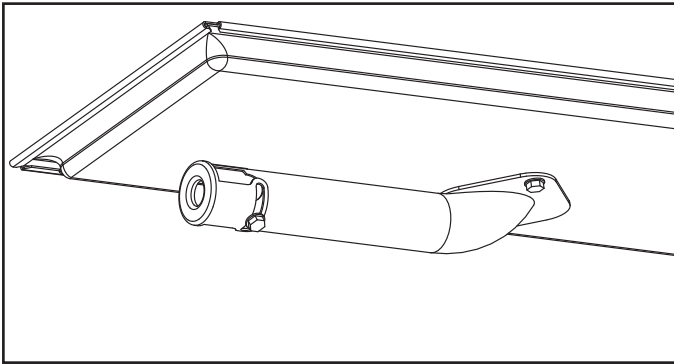


Figure 7.5 Air Shutter

### Air Shutter Settings

	NG	LP	ULPG
I30X-AU	3/8 in. (10 mm)	1/2 in. (13 mm)	3/8 in. (10 mm)

# 8 Finishing

## A. Mantel, Wall Projections & Hearth Extensions

**WARNING! Risk of Fire!** Comply with all minimum clearances to combustibles as specified. Framing or finishing material closer than the minimums listed must be constructed entirely of noncombustible materials (i.e., steel studs, concrete board, etc).

Clearance to combustible material under the insert is 1/4 inch (6 mm).

- Use leveling legs to raise insert minimum 1/4 inch (6 mm) above combustible material or outer wrap of factory built firebox.

Combustible facings must not extend behind the insert surround. For non-combustible material specifications refer to Section 1.E and 1.F.

### Mantel Legs or Wall Projections

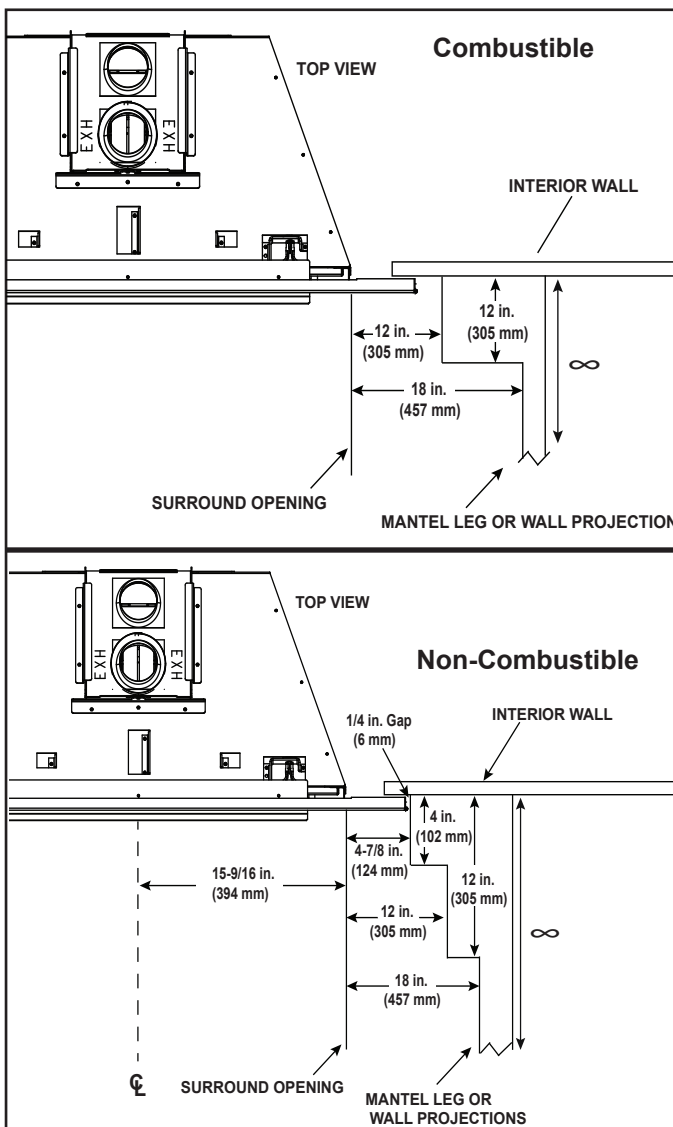
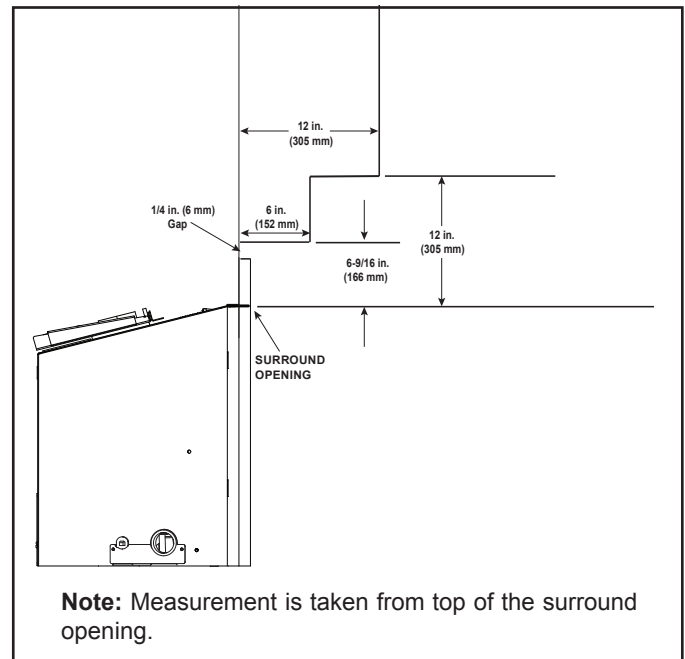


Figure 8.1 Clearances to Mantel Legs or Wall Projections (Acceptable on both sides of surround opening)

## Mantels or Wall Projections - Non-Combustible



**Note:** Measurement is taken from top of the surround opening.

Figure 8.2 Minimum Vertical and Maximum Horizontal Dimensions - Non-Combustible

## Mantels - Combustible

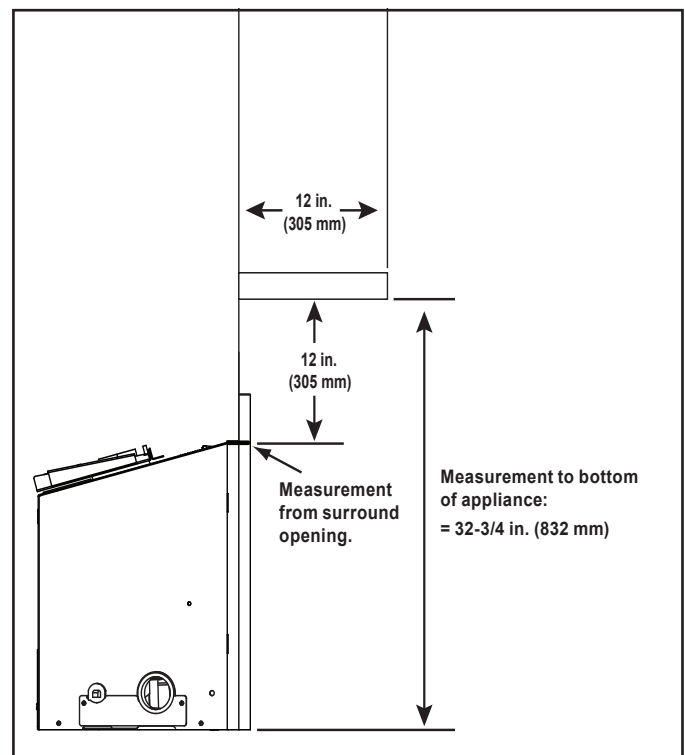


Figure 8.3 Minimum Vertical and Maximum Horizontal Dimensions - Combustible

## B. Hearth Extension

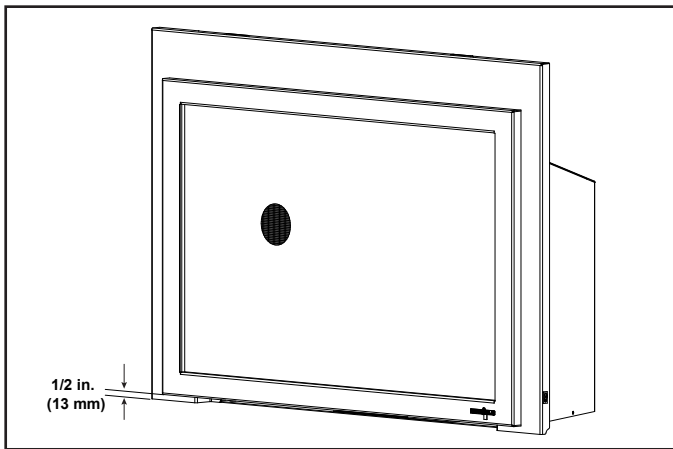


Figure 8.4 Minimum Required 1/2 in. (13 mm) Gap to Bottom of Front

- 1/2 in. (13 mm) gap under the bottom of the front must be maintained. See Figure 8.4.
- A minimum 1/4 in. (6 mm) gap from the bottom of the appliance to any floor surface is **REQUIRED**. See side view in Figure 8.7.
- Combustible flooring underneath the appliance is acceptable.
- Combustible flooring can NOT be installed directly in front of the appliance unless the appliance is raised 4 inches (102 mm) off of the floor.
- When the appliance is raised off the floor 4 inches (102 mm) or more, combustible flooring in front of the appliance is acceptable. Exception, no carpet, vinyl or adhesive flooring when appliance is between 4 inches (102 mm) - 7-1/2 inches (191 mm) off the floor. See Figure 8.6.

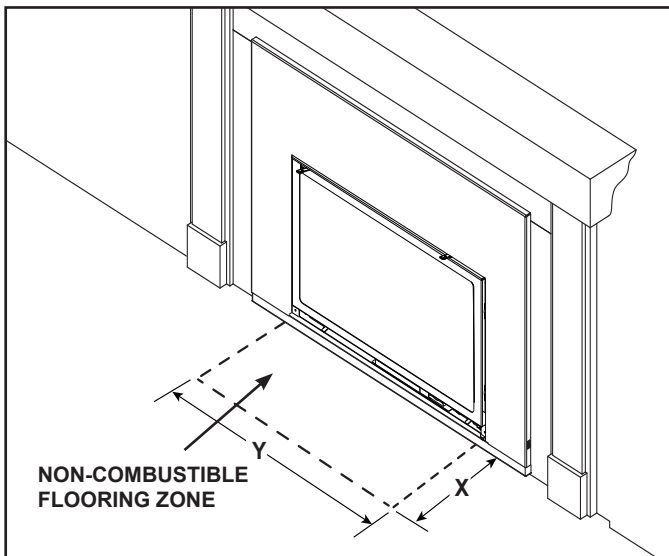


Figure 8.5 Hearth - Non-Combustible Flooring Zone

### Non-Combustible Flooring Zone

Depth	Width
16 in. (406 mm)	30-3/4 in. (781 mm)

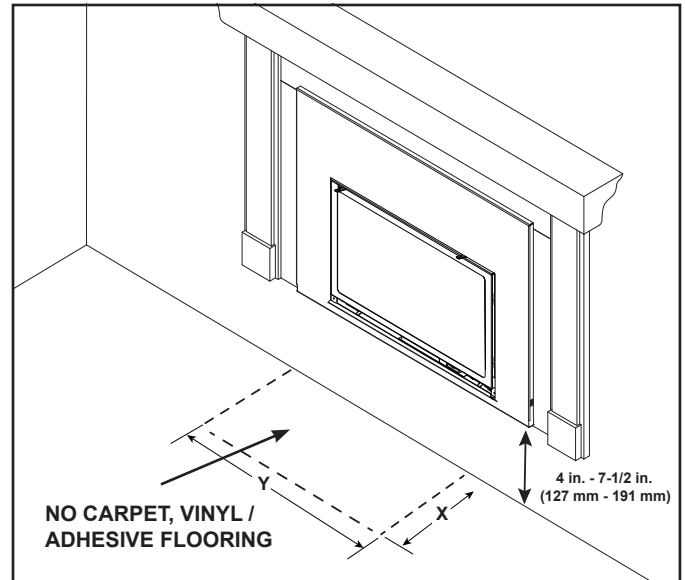


Figure 8.6 Hearth - Combustible Material Acceptable

### Carpet, Vinyl / Adhesive Flooring Minimums

Depth (X)	Width (Y)
16 in. (406 mm)	30-3/4 in. (781 mm)

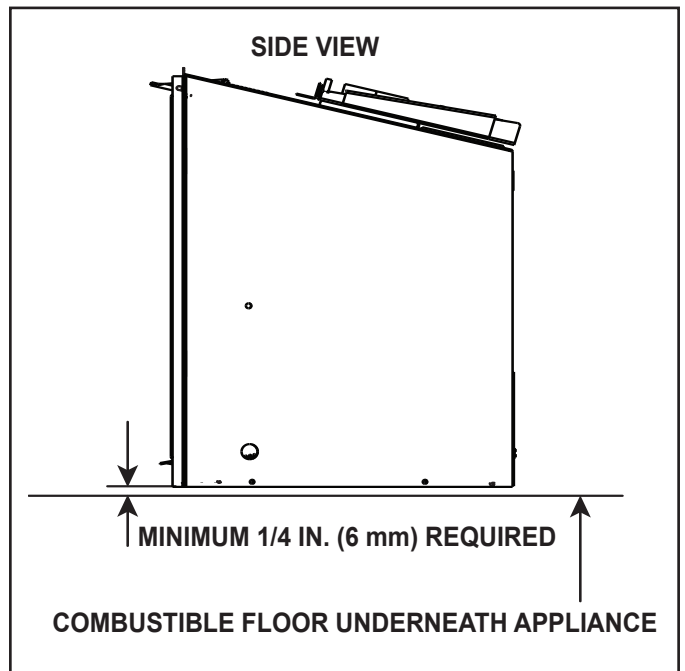


Figure 8.7 Solid Fuel Floor Clearance

# 9 Appliance Setup

## A. Fixed Glass Assembly

**WARNING! Risk of Asphyxiation!** Handle fixed glass assembly with care. Inspect the gasket to ensure it is undamaged and inspect the glass for cracks, chips or scratches.

- **DO NOT** strike, slam or scratch glass.
- **DO NOT** operate fireplace with glass removed, cracked, broken or scratched.
- Replace as a complete assembly.

**CAUTION! Handle fixed glass assembly with care.** Glass is breakable.

- Avoid striking, scratching or slamming glass
- Avoid abrasive cleaners
- **DO NOT** clean glass while it is hot
- The glass assembly fastens to the fireplace in four places. Four of the fastening mechanisms are spring-loaded glass latches. An example of the glass latch is shown in Figure 9.2.
- To release glass assembly, use the supplied multi-purpose tool to pull the two bottom spring-loaded latches forward and allow them to retract away from the glass assembly. Tilt the bottom of the glass assembly outward until the top latches disengage.

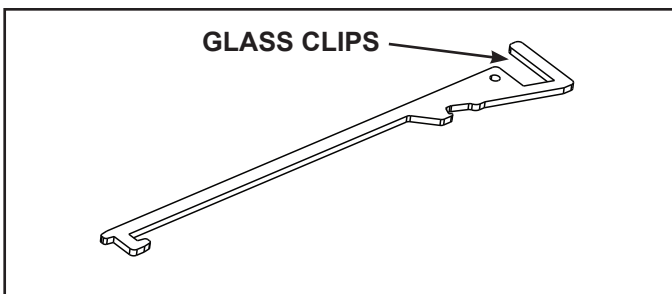


Figure 9.1 Multi-Purpose Tool

### Replacing Fixed Glass Assembly

- Tilt the top of the glass assembly toward fireplace and slide glass assembly upward to engage top latches. Verify top latches are fully engaged and then fasten the two bottom latches using the supplied multi-purpose tool.
- Reinstall door or decorative front.

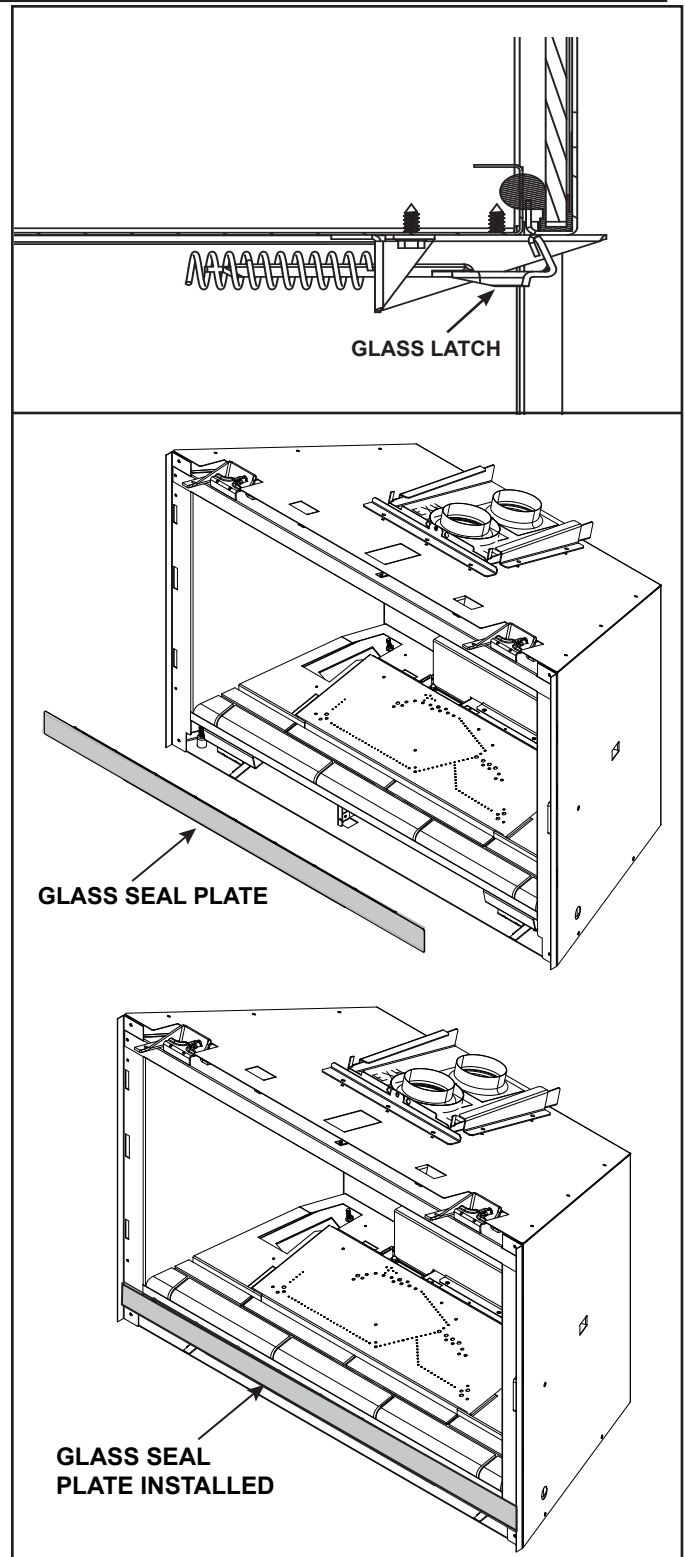


Figure 9.2 Glass Seal Plate and Glass Latch

**WARNING!** Glass seal plate must be properly installed. Risk of elevated component temps and carbon monoxide exposure.

## **B. Remove the Shipping Materials**

Remove shipping materials from inside or underneath the firebox.

**Note:** Remove the zip ties from the appliance that hold the electrical cord, gas flexline and multi-purpose tool in place for shipping.

## **C. Clean the Appliance**

Clean/vacuum any sawdust that may have accumulated inside the firebox or underneath in the control cavity.

## **D. Accessories**

Install approved accessories per instructions included with accessories. Contact your dealer for a list of approved accessories.

***WARNING! Risk of Fire and Electric Shock! Use ONLY Hearth & Home Technologies-approved optional accessories with this appliance. Using non-listed accessories could result in a safety hazard and will void the warranty.***

## E. Mystic Embers Placement

**WARNING! Risk of Explosion!** Follow mystic ember placement instructions. **DO NOT** place mystic embers on burner. Improperly placed mystic embers interferes with proper burner operation.

Mystic embers is shipped with this gas appliance. To place the embers:

- Embers **CANNOT** be placed on the burner.
- Place embers in front of and to the sides of the burner.

## F. Ember Placement

**WARNING! Risk of Explosion!** Follow ember placement instructions in manual. Replace ember material annually. Improperly placed embers interfere with proper burner operation.

Ember material is shipped with this gas appliance. To place the ember material:

- Embers **CANNOT** be placed directly over burner ports that are indicated in Figure 9.3 or in pilot area as indicated in Figure 9.3.
- Embers may be placed on the ports in areas indicated in Figure 9.3. These embers must be placed loosely over the port holes, not pressed down on or into the holes. Create a single layer, no more than 1/4 inch thick.
- Failure to follow this procedure will likely cause lighting and sooting problems.
- Save the remaining ember materials for use during appliance servicing. The embers provided should be enough for 3 to 5 applications.

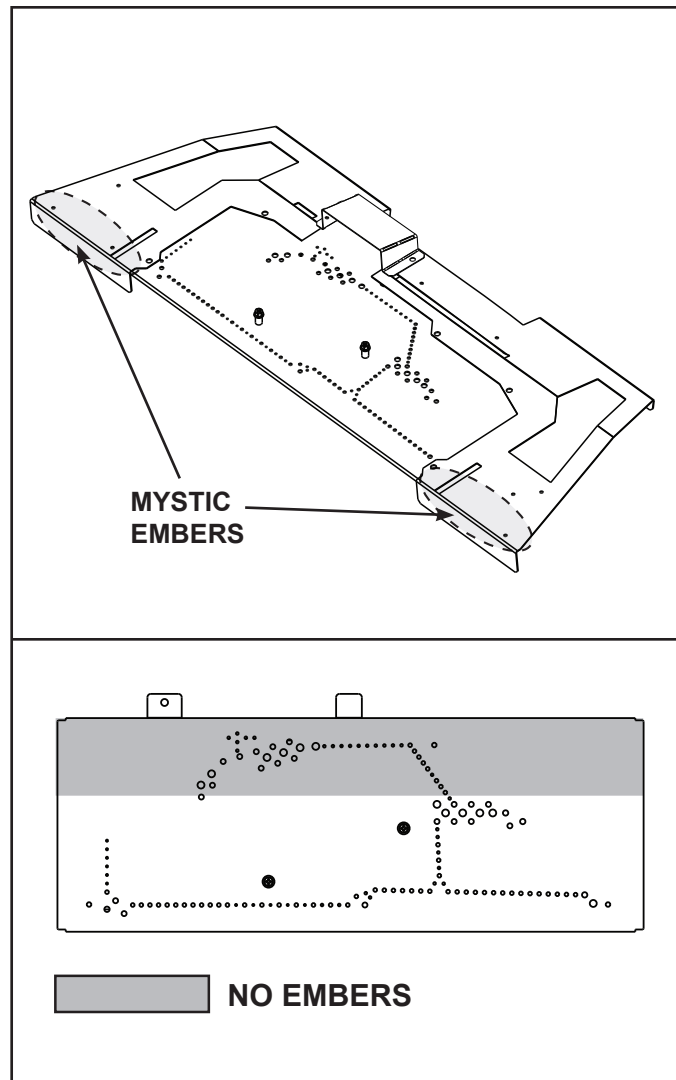


Figure 9.3 Placement of Embers

## G. Reverse Drafting

If the appliance is operated with the glass assembly removed during setup, reverse drafting may occur. If reverse drafting continues with the glass assembly installed, turn off appliance and allow appliance to cool with glass off.

## H. Install the Log Assembly

### Log Set Assembly: LOGS-2532

### Model: I30X-AU

## LOG PLACEMENT INSTRUCTIONS



Leave this manual with party responsible for use and operation.

**CAUTION! Risk of Cuts or Abrasions.** Wear protective gloves and safety glasses during installation.

**CAUTION: Logs are fragile, handle with care.**

**NOTICE: To simplify the installation process, use Figure 1 to positively identify each individual log before beginning installation.**

### MODELS: I30X-AU

I30X-AU SRV LOGS		
LOG ID	SRV PART #	MOLDED LOG #
1	SRV2532-711	32-1
2	SRV2532-712	32-2
3	SRV2532-713	32-3
4	SRV2532-714	32-4
5	SRV2532-715	32-5



Figure 1. Log Identification

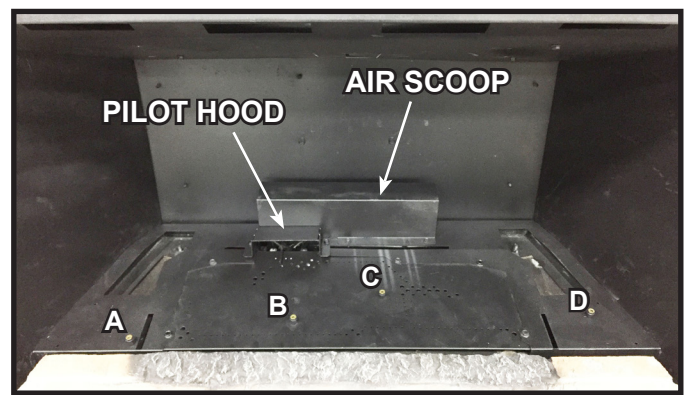


Figure 2. Empty Firebox with Front Hearth Installed

**LOG #1:** Locate the cutout on the end of log 1 and place over the pilot hood and air scoop. The other end of Log #1 will sit against log pin A. See Figure 3.

**LOG #2:** With the bark end of Log #2 towards the back of the firebox, set the log onto the burner behind log pins B and C as shown in Figure 4. Rotate the log counter clockwise so that it contacts the air scoop, along with pins B and C.

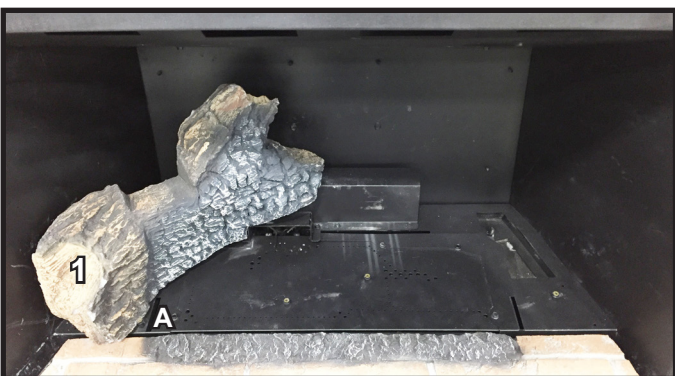


Figure 3. Log #1 Installed

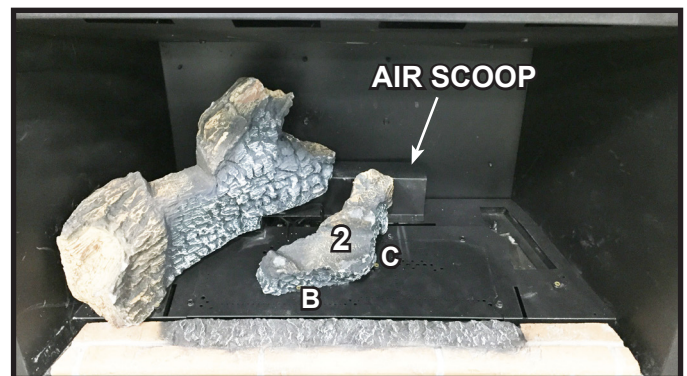


Figure 4. Log #2 Installed



**LOG #3:** With the burnout of Log #3 facing left, set the large end against log pin D, place the small end on the flat spot of Log #1. See Figure 5.

**LOG #4:** Set the non-Y end of Log #4 on the flat spot of Log #1. The end of the log #4 will sit flush with the back of Log #1. The Y-end of log #4 will sit on the flat spot of Log #2. See Figure 6.



Figure 5. Log #3 Installed



Figure 6. Log #4 Installed

➔ **LOG #5:** The non-burnout end of log 5 will sit on the flat spot of log 3. The corner of the other end will sit on the base refractory grout line. See Figure 7.



Figure 7. Log #5 Installed

2532-935

## I. Install Decorative Front and Surround

A decorative front and surround is required to complete this installation. Installation instructions are included with the decorative front and surround. Consult your dealer for a list of decorative front and surround options.

**WARNING! Risk of Fire!** Install *ONLY* doors or fronts approved by Hearth & Home Technologies. Unapproved doors or fronts may cause fireplace to overheat.

**This fireplace has been supplied with an integral barrier to prevent direct contact with the fixed glass panel. DO NOT operate the fireplace with the barrier removed.**

Contact your dealer or Hearth & Home Technologies if the barrier is not present or help is needed to properly install one.

For more information refer to the instructions supplied with your decorative front.

See Figure 9.4 for Reset Switch Detail. The Reset Switch included with the surround needs to be wired to the appliance. Reference front/surround instructions (included with the decorative front) and wiring diagram in Figure 6.2.

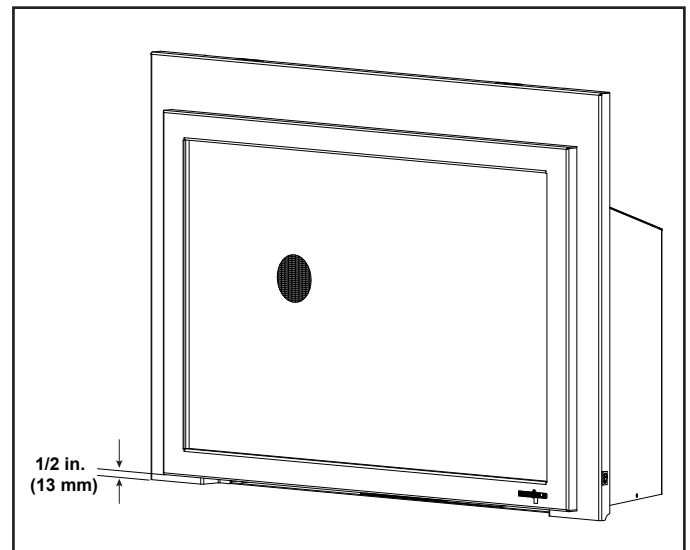


Figure 9.5 Required 1/2 in. (13 mm) Gap

**NOTICE:** 1/2 in. (13 mm) gap must be maintained or components will overheat.

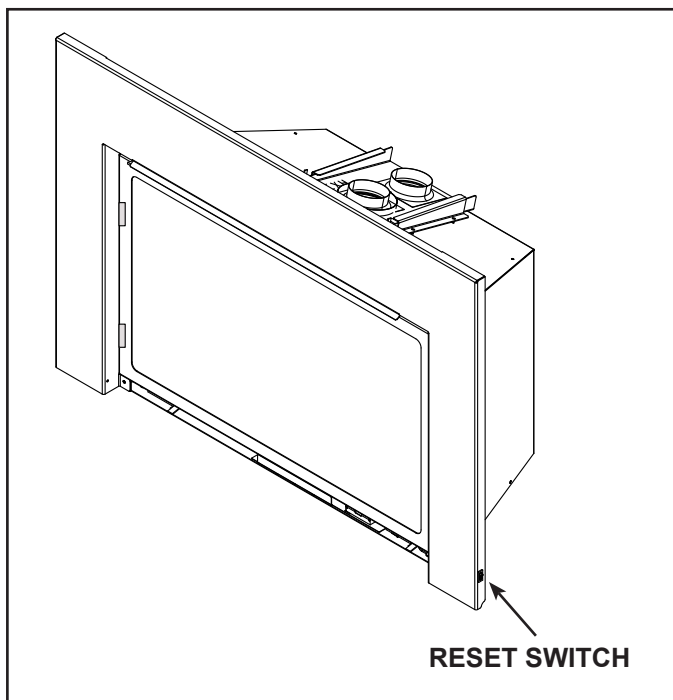


Figure 9.4 Surround Reset Switch

## J. Appliance Break-In

Follow the initial break-in procedure below to cure the materials used to manufacture the fireplace and the finishing materials around it.

- The fireplace should be run three to four hours continuously on high flame and high fan.
- Turn the fireplace off and allow it to cool completely.
- Remove fixed glass assembly. See Section 9.A.
- Clean fixed glass assembly.
- Replace the fixed glass assembly and run continuously on high an additional 12 hours.

**NOTICE!** *This product comes equipped with a fan that provides remote control of heat output. See Section K. Set the fan speed to high on the RC300AU remote control during the first three to four hours of break-in operation. This break-in will ensure optimum speed control of the fan during subsequent use.*

**Note:** The IntelliFire™ Plus system has a safety feature that automatically shuts down the fireplace after 9 hours of continuous operation without receiving a command from the remote control. If this occurs, restart the appliance.

**NOTICE! Open windows for air circulation during fireplace break-in.**

- Some people may be sensitive to smoke and odors.
- Smoke detectors may activate.

## K. Heat Management

### Heat Output

Heat Output is managed through the RC300AU remote control that comes standard with the fireplace.

- Turn the appliance on and off.
- Adjust the height of the flame by varying the input using the remote control.
- Adjust the fan speed.

For more information, see the instructions that accompany the remote control.

**NOTICE!** *Set the fan speed to high on the RC300AU remote control during the first three to four hours of break-in operation. See Section J. This break-in will ensure optimum speed control of the fan during subsequent use.*

# 10 Reference Materials

## A. Vent Components

Direct Vent Flex Liner Kits (see Figure 10.1)

LINK-DV30B: Masonry 3 inch flex liner kit. Expands to 30 feet. Includes: two liners, termination cap and flashing.

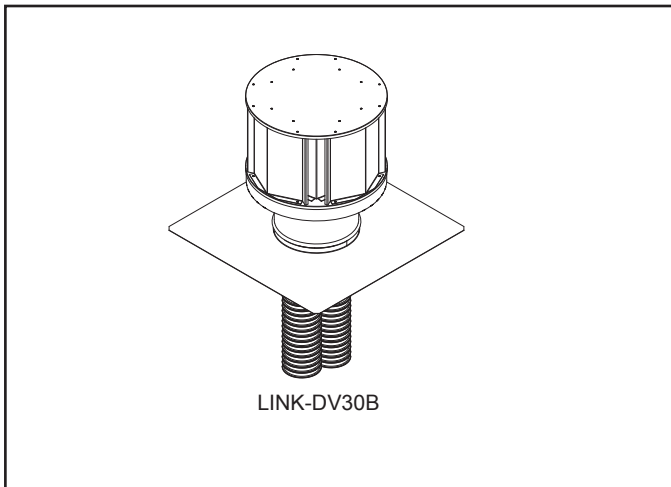


Figure 10.1 Direct Vent Flex Liner Kit

Direct Vent Flex Liner Accessory Kits. See Figure 10.2.

LINK-ZC-ADPB: Zero clearance chimney adapter

DV-46DVA-GK: Adapter kit - It is permissible to use DV-46DVA-GK to connect colinear flex vent to SLP vent pipe to extend the run.

FLEX3-30: One 3 inch flexible liner expands to 30 feet.

FLEX-CNCT: Connector kit - 3 inch liner to 3 inch liner, one connector per kit.

**Reference price book for SLP components.**

**Note: No Horizontal Termination allowed.**

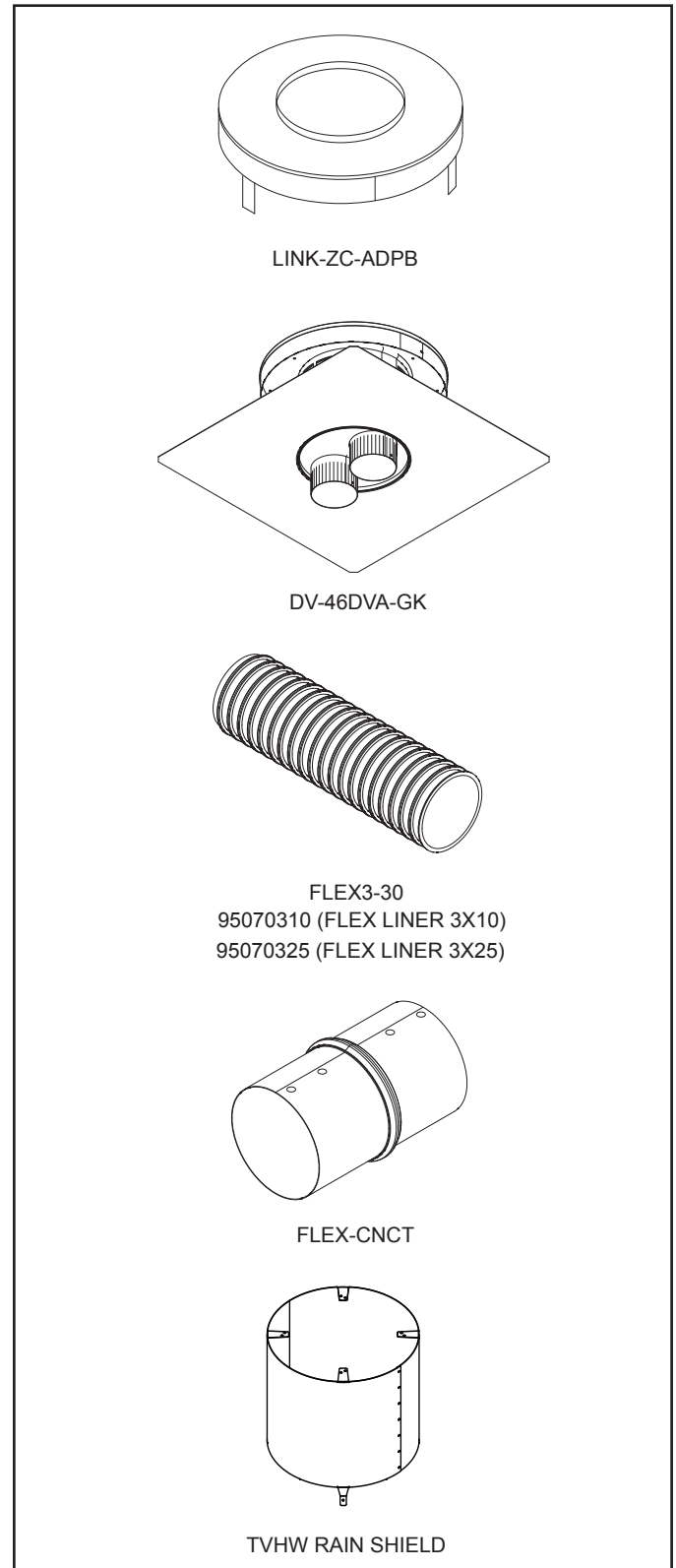


Figure 10.2 Direct Vent Flex Liner Accessory Kits

**NOTE:** For extreme rain / wind conditions TVHW RAIN SHIELD can be added to the termination cap. See Figure 10.2.

## B. Accessories

Install approved accessories per instructions included with accessories. Contact your dealer for a list of approved accessories.

**WARNING! Risk of Fire and Electric Shock!** Use *ONLY* Hearth & Home Technologies-approved optional accessories with this appliance. Using non-listed accessories could result in a safety hazard and will void the warranty.

### Remote Controls, Wall Controls and Wall Switches

Follow the instructions supplied with the control installed to operate your fireplace:

For safety:

- Install a switch lock or a wall/remote control with child protection lockout feature.
- Keep remote controls out of reach of children.

See your dealer if you have questions.

## Optional Halogen Lights

If desired, a halogen light kit may be added. Contact your dealer to order the correct halogen light kit. Follow the instructions supplied with the halogen light kit to install and operate your halogen lights. See your dealer if you have questions.

## Fan

Fan is factory installed. No additional set up is required.

## Optional Refractory

If desired, a refractory kit may be added. Contact your dealer to order the correct refractory kit. Follow instructions supplied with the refractory kit to install your refractory. See your dealer if you have questions.

Heat & Glo, a brand of Hearth & Home Technologies  
7571 215<sup>th</sup> Street West, Lakeville, MN 55044  
[www.heatnglo.com](http://www.heatnglo.com)

Please contact your Heat & Glo dealer with any questions or concerns.  
For the location of your nearest Heat & Glo dealer,  
please visit [www.heatnglo.com](http://www.heatnglo.com).

*Printed in U.S.A. - Copyright 2018*