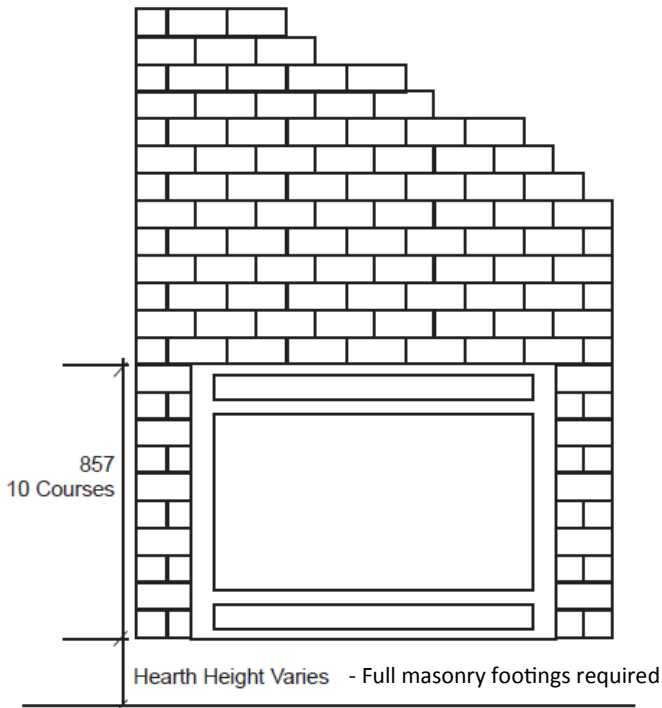
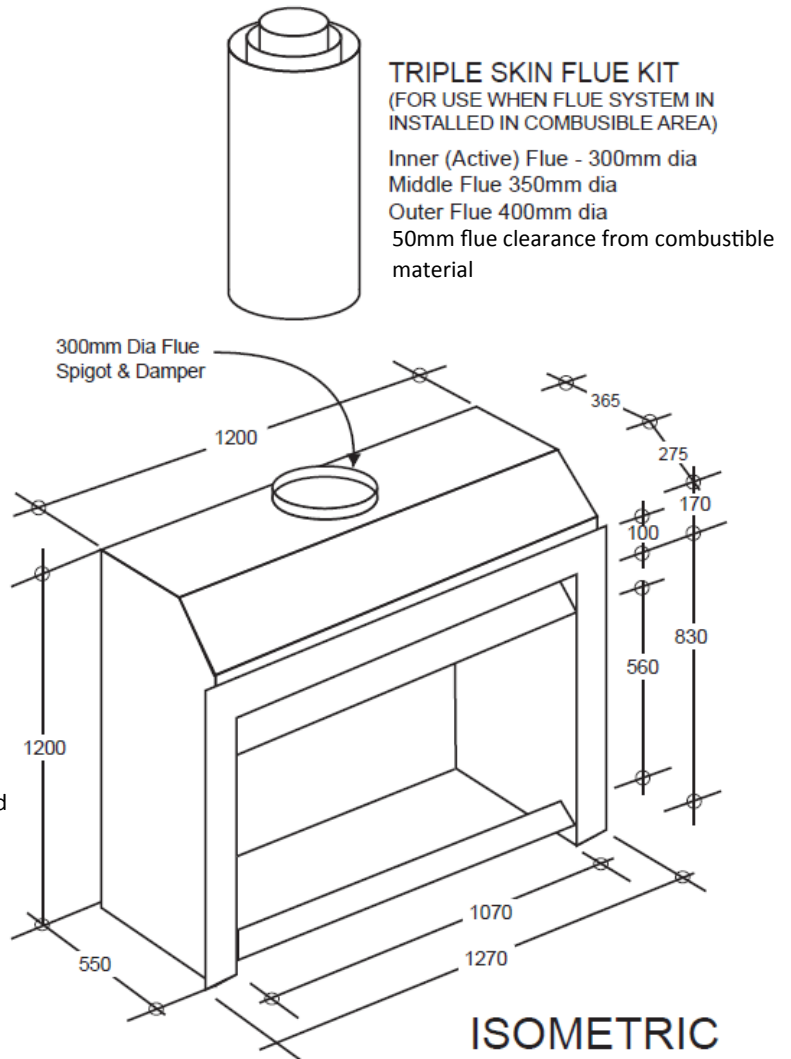


## HEATMASTER Z1200

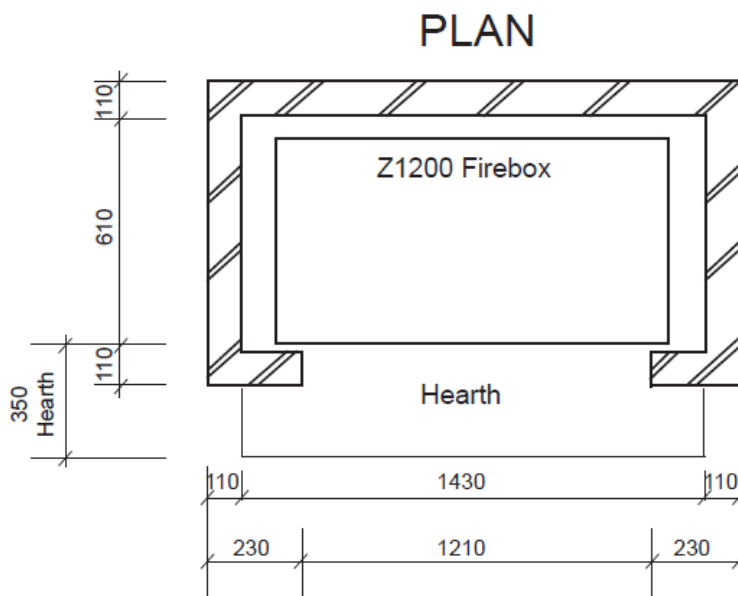
Brick set-up and Dimensions



ELEVATION



ISOMETRIC



Measurements shown above to be used for reference only, some variations may apply and are subject to change at any time.

Installation to be in accordance with Australian Standards AS/NZ 2918:2001

Heatmaster Pty Ltd

Email: [sales@heatmaster.com.au](mailto:sales@heatmaster.com.au)

Website: [www.heatmaster.com.au](http://www.heatmaster.com.au)

ACN 006 442 717 ABN 64 641 709 587