

# 564 SS Clean Face Fireplace GSR2 with Screen (AU)



GMK10022  
IAPMO-R&T OCEANA

- Built-In Direct Vent Fireplace
- Natural Gas or Propane
- Residential or Mobile Home

**WARNING:** If the information in these instructions is not followed exactly, a fire or explosion may result causing property damage, personal injury or loss of life.

- DO NOT PLACE ARTICLES ON OR AGAINST THIS APPLIANCE.
- DO NOT USE OR STORE FLAMMABLE MATERIALS NEAR THIS APPLIANCE.
- DO NOT SPRAY AEROSOLS IN THE VICINITY OF THIS APPLIANCE WHILE IT IS IN OPERATION.
- DO NOT MODIFY THIS APPLIANCE.
- Do not store or use gasoline or other flammable vapors and liquids in the vicinity of this or any other appliance.

#### WHAT TO DO IF YOU SMELL GAS

- Do not try to light any appliance.
- Do not touch any electrical switch; do not use any phone in your building.
- Immediately call gas supplier from a neighbor's phone. Follow the gas supplier's instructions.
- If you cannot reach your gas supplier, call the fire department.
- Installation and service must be performed by a qualified installer, service agency or the gas supplier.

This appliance is only for use with the type of gas indicated on the rating plate. A conversion kit is supplied with the appliance.

**INSTALLER:** Leave this manual with the appliance.

**CONSUMER:** Retain this manual for future reference.

## Installation Manual

Dragon Wholesaling Pty. Ltd.  
Unit 4, 16 Lexington Drive  
Bella Vista NSW  
Australia 2153

**Overview**

This manual details the installation requirements for the 564 Cleanface GSR2 fireplace. For operating and maintenance instructions, refer to the 564 Cleanface GSR2 Owner's Manual (part # 100-01420).



Tested to the combustion performance and construction requirements of AS 4553-2008 Gas Space Heating Appliances. This appliance must be installed in accordance with all local codes.

This 564 SS GSR2 appliance is equipped from the factory only for use with Natural Gas and is only for use with the type of gas indicated on the rating plate. For conversion to LP (Propane) use a certified kit supplied by the manufacturer. See owner's manual for information on making these changes.

This appliance may be installed in an aftermarket, permanently located, manufactured (mobile) home where not prohibited by local codes.

This vented gas fireplace heater is not for use with air filters. This appliance must be properly connected to a venting system in accordance with the manufacturer's installation instructions. Use only approved coaxial direct vent systems to vent this appliance to the exterior. See owner's manual for approved brands of venting.

**WARNING:** Improper installation, adjustment, alteration, service or maintenance can cause injury or property damage. Refer to the owner's information manual provided with this appliance. For assistance or additional information consult a qualified installer, service agency or the gas supplier.

**This appliance is a Vented Gas Fireplace Heater. Not for use with Solid Fuel.**

Young children should be carefully supervised at all times when they are in the same room as the appliance.

**Minimum Clearances to Combustibles**

Fireplace to adjacent wall	25 mm	Top to enclosure	0 mm
Side to enclosure	13 mm	Combustible floor under fireplace	0 mm
Back to enclosure	13 mm	Base of fireplace to a mantel	See Owner's Manual

**FAN TYPE VENTED CIRCULATOR**

Blower Electrical Rating: 240V, 1.5 Amps, 50 Hz, 150 Watts

Input Rate on "HI" (MJ/h)	L.P.	N.G.	L.P.	N.G.
Input Rate on "LO" (MJ/h)	21.6	21.6	2.74	1.13
Orifice Size - Front (DMS)	4.4	5.4	3.24	1.74
Orifice Size - Rear (DMS)	#67	#56	2.74	.87
	1.1 mm	#50		

This appliance is equipped for installation 0-610 m. For altitudes above 600m, the vent configuration, orifice, or combination of both may need to be changed. See owner's manual for information on making these changes.

**MANUFACTURE DATE:**

<input type="checkbox"/> 2014	<input type="checkbox"/> Jan.	<input type="checkbox"/> Apr.	<input type="checkbox"/> Jul.	<input type="checkbox"/> Oct.
<input type="checkbox"/> 2015	<input type="checkbox"/> Feb.	<input type="checkbox"/> May	<input type="checkbox"/> Aug.	<input type="checkbox"/> Nov.
<input type="checkbox"/> 2016	<input type="checkbox"/> Mar.	<input type="checkbox"/> Jun.	<input type="checkbox"/> Sep.	<input type="checkbox"/> Dec.

Manufactured by:



Certificate Holder:

Dragon Wholesaling Pty. Ltd.  
Unit 4, 16 Lexington Drive  
Bella Vista NSW 2153  
Australia

www.lopi.com.au

## Table of Contents

<b>Overview</b> .....	<b>2</b>	<b>Rear Vent Configuration with Horizontal Termination (no vertical rise)</b> .....	<b>25</b>
<b>Installation Options</b> .....	<b>6</b>	<b>Rear Vent Configuration with Horizontal Termination (with vertical rise)</b> .....	<b>26</b>
<b>Heating Specifications</b> .....	<b>6</b>	<b>Rear Vent Configuration with Vertical Termination</b> .....	<b>27</b>
<b>Dimensions</b> .....	<b>6</b>	<b>Top Vent Configuration with Horizontal Termination</b> .....	<b>28</b>
<b>Packing List</b> .....	<b>7</b>	<b>Top Vent Configuration with Vertical Termination</b> .....	<b>29</b>
<b>Additional Items Required</b> .....	<b>7</b>	<b>Termination Requirements</b> .....	<b>30</b>
<b>Recommended Installation Procedure</b> .....	<b>7</b>	<b>Hearth Requirements</b> .....	<b>31</b>
<b>Top Vent or Rear Vent Configuration</b> .....	<b>8</b>	<b>Optional Tile Stop Removal</b> .....	<b>32</b>
<b>Standoff and Drywall Support Preparation</b> .....	<b>10</b>	<b>Facing Requirements</b> .....	<b>33</b>
<b>Fireplace Placement Requirements</b> .....	<b>11</b>	<b>Mantel Requirements</b> .....	<b>34</b>
Clearances .....	11	<b>Steps for Finalizing the Installation</b> .....	<b>34</b>
Raised Fireplaces .....	11	Air Shutter Adjustment.....	36
Minimum Framing Dimensions.....	12	<b>Barrier Removal</b> .....	<b>37</b>
Nailing Brackets .....	13	<b>Glass Frame Removal</b> .....	<b>38</b>
Corner Installations - Rear Vent Configuration .....	14	<b>Log Set Installation</b> .....	<b>39</b>
Corner Installations - Top Vent Configuration .....	15	Log Set Overview .....	39
<b>Gas Line Requirements</b> .....	<b>16</b>	Rear Log Installation.....	40
Fuel .....	16	Right Log Installation .....	41
Gas Line Connection.....	16	Left Log Installation.....	42
Gas Inlet Pressure .....	16	Left Twig Installation.....	43
Gas Line Location .....	17	Right Twig Installation.....	44
Converting Gas Line to the Left Side .....	17	Ember Installation .....	45
<b>Electrical Connection (required)</b> .....	<b>18</b>	Rock Wool Placement .....	45
<b>Accessing the Area Under the Burner</b> .....	<b>19</b>	<b>LP Conversion Instructions</b> .....	<b>46</b>
<b>Vent Requirements</b> .....	<b>20</b>	<b>Fireback Installation (Optional)</b> .....	<b>49</b>
Vent Clearances.....	20	<b>Wiring Diagram</b> .....	<b>50</b>
Altitude Considerations .....	20	<b>Index</b> .....	<b>52</b>
Approved Vent .....	21		
Vent Installation.....	21		
<b>Approved Vent Configurations</b> .....	<b>22</b>		
Restrictor Position .....	22		
Exhaust Restrictor Adjustment.....	22		
Intake Restrictor Adjustment.....	23		
Diffuser Plate Adjustment.....	24		

## Safety Warnings

- Failure to follow all of the requirements may result in property damage, bodily injury, or even death.

**Young children should be carefully supervised when they are in the same room as the appliance. Toddlers, young children and others may be susceptible to accidental contact burns. A physical barrier is recommended if there are at risk individuals in the house. To restrict access to a fireplace or stove, install an adjustable safety gate to keep toddlers, young children and other at risk individuals out of the room and away from hot surfaces.**

**Children and adults should be alerted to the hazards of high surface temperature and should stay away to avoid burns or clothing ignition. Do not touch the hot surfaces of the heater. Educate all children of the danger of a high-temperature heater.**

**Due to the high temperature, the heater should be located out of traffic and away from furniture and draperies.**

- This unit must be installed by a qualified installer to prevent the possibility of an explosion.
- This appliance must be installed in accordance with all local codes, if any; if not, in U.S.A. follow ANSI Z223.1 and NFPA 54(88), in Canada follow CSA B149.1. In Australia follow AS/NZS 5601.1.
- A manufactured home (USA only) or mobile home OEM installation must conform with the Manufactured Home Construction and Safety Standard, Title 24 CFR, Part 3280, or, when such a standard is not applicable, the Standard for Manufactured Home Installations, ANSI/NCSCBS A225.1, or Standard for Gas Equipped Recreational Vehicles and Mobile Housing, CSA Z240.4. This appliance may be installed in Manufactured Housing only after the home is site located.
- All exhaust gases must be vented outside the structure of the living-area. Combustion air is drawn from outside the living-area structure. The venting must not be connected to a chimney flue serving a separate solid-fuel burning appliance.
- Notify your insurance company before hooking up this fireplace.
- The instructions in this manual must be strictly adhered to. Do not use makeshift methods or compromise in the installation. Improper installation will void the warranty and safety listing.
- This heater is approved for use with natural gas (NG) or propane (LP). Burning the incorrect fuel will void the warranty and safety listing and may cause an extreme safety hazard. Direct questions about the type of fuel used to your dealer.
- Contact your local building officials to obtain a permit and information on any installation restrictions or inspection requirements in your area.
- If the flame becomes sooty, dark orange in color, or extremely tall, do not operate the heater. Call your dealer and arrange for proper servicing.
- It is imperative that control compartments, screens, or circulating air passageways of the heater be kept clean and free of obstructions. These areas provide the air necessary for safe operation.
- Do not operate the heater if it is not operating properly in any fashion or if you are uncertain. Call your dealer for a full explanation of your heater and what to expect.
- Do not store or use gasoline or other flammable liquids in the vicinity of this heater.
- Do not operate if any portion of the heater was submerged in water or if any corrosion occurs. Immediately call a qualified service technician to inspect the appliance and to replace any part of the control system and any gas control which has been under water.
- Because this heater can be controlled by a thermostat there is a possibility of the heater turning on and igniting any items placed on or near the appliance.
- Light the heater using the built-in igniter. Do not use matches or any other external device to light your heater.

## ***Safety Warnings (continued)***

- Never remove, replace, modify or substitute any part of the heater unless instructions are given in this manual. All other work must be done by a trained technician. Don't modify or replace orifices.
- The viewing glass should be opened only for conducting service.
- Allow the heater to cool before carrying out any maintenance or cleaning.
- Operate the heater according to the instructions included in this manual.
- If the main burners do not start correctly turn the gas off and call your dealer for service.
- This unit is not for use with solid fuel.
- Do not place anything inside the firebox (except the optional artwork).
- **Warning:** Do not operate appliance with the glass front removed, cracked or broken. Replacement of the glass should be done by a licensed or qualified service person.
- Do not throw this manual away. This manual has important operating and maintenance instructions that you will need at a later time. Always follow the instructions in this manual.
- Instruct everyone in the house how to shut gas off to the appliance and at the gas main shutoff valve. The gas main shutoff valve is usually next to the gas meter or propane tank and requires a wrench to shut off.
- A barrier designed to reduce the risk of burns from the hot viewing glass is provided with this appliance and shall be installed for the protection of children and other at-risk individuals.
- If the barrier becomes damaged, the barrier shall be replaced with the manufacturer's barrier for this appliance.
- Clothing or other flammable material should not be placed on or near the appliance.
- Any safety screen, guard, or barrier removed for servicing an appliance must be replaced prior to operating the appliance.
- Installation and repair should be done by a qualified service person. The appliance should be inspected before use and at least annually by a professional service person. More frequent cleaning might be required due to excessive lint from carpeting, bedding material, et cetera. It is imperative that control compartments, burners, and circulating air passageways of the appliance be kept clean.
- **Travis Industries, Inc. grants no warranty, implied or stated, for the installation or maintenance of your heater, and assumes no responsibility of any consequential damage(s).**

**Proposition 65 Warning:** Fuels used in gas, woodburning or oil fired appliances, and the products of combustion of such fuels, contain chemicals known to the State of California to cause cancer, birth defects and other reproductive harm.  
California Health & Safety Code Sec. 25249.6

### **SAFETY WARNINGS:**

- **DO NOT PLACE ARTICLES ON OR AGAINST THIS APPLIANCE.**
  - **DO NOT USE OR STORE FLAMMABLE MATERIALS NEAR THIS APPLIANCE.**
  - **DO NOT SPRAY AEROSOLS IN THE VICINITY OF THIS APPLIANCE WHILE IT IS IN OPERATION.**
  - **DO NOT MODIFY THIS APPLIANCE.**
  - **THIS INSTALLATION MUST CONFORM WITH THE FOLLOWING:**
    - Manufacturer's Installation instructions
    - Local Gas Fitting Regulations
    - Municipal Building Codes,
    - Refer to AS/NZS 5601.1 for Gas Installations.
    - S.A.A. Wiring Code
    - Local Electrical Regulations
    - Any other statutory regulations
  - **NOT SUITABLE FOR MARINE USE.**
  - **NOT INTENDED FOR FIREPLACE INSERT.**
- APPLIANCES INCORPORATING A LIVE FUEL EFFECT, AND DESIGNED TO OPERATE**

## Installation Options

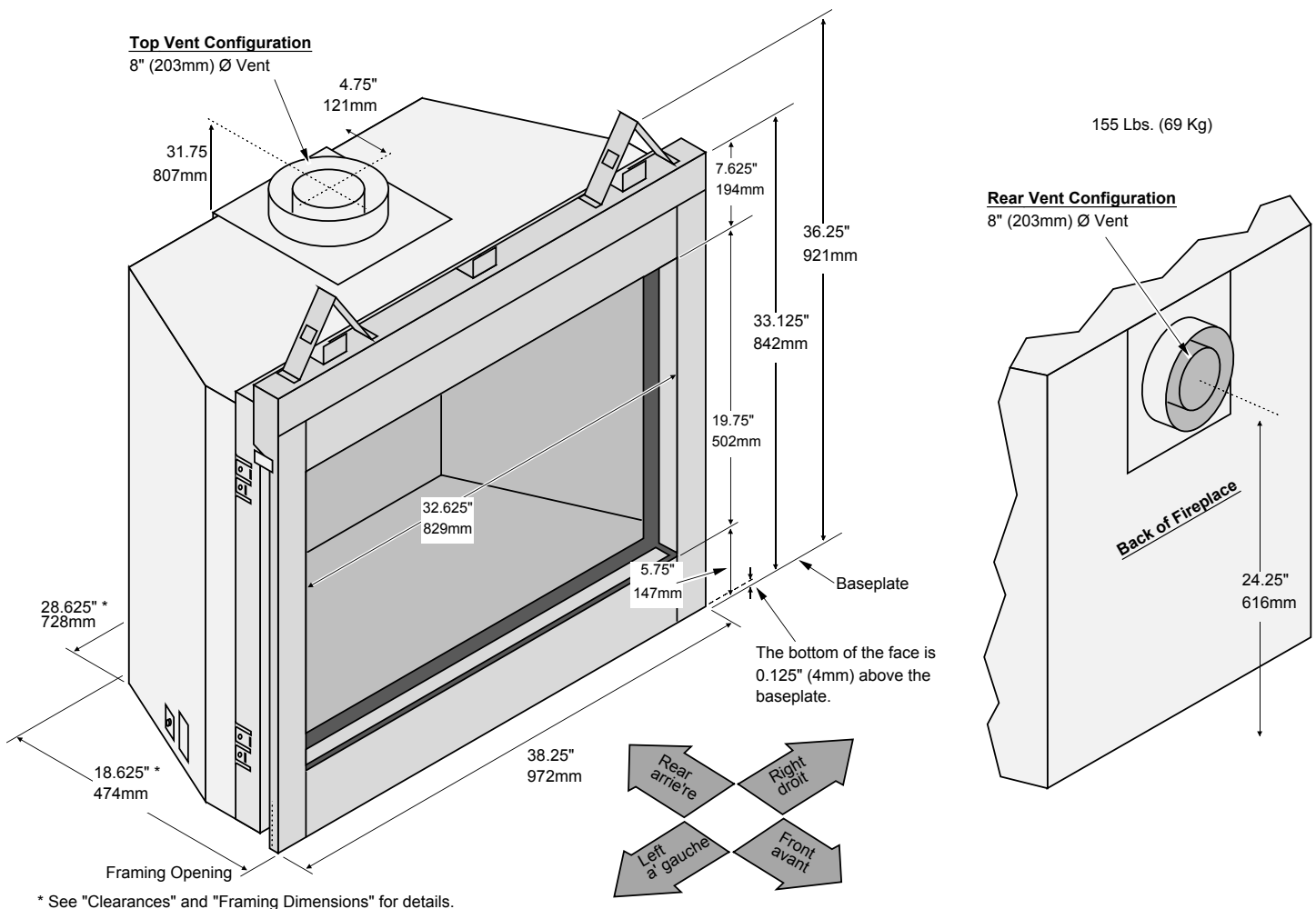
- Residential or Mobile Home
- Straight or Corner Placement
- Raised or Floor Placement
- Internal or External Chase
- Horizontal or Vertical Vent
- Bedroom Approved

## Heating Specifications

	Natural Gas	Propane
Approximate Heating Capacity (in square feet)*	950	950
Approximate Heating Capacity (in square meters)*	88	88
Maximum BTU Input Per Hour	20,500	20,500
Maximum Megajoules (MJ) Input Per Hour	21.6	21.6

\* Heating capacity will vary with floor plan, insulation, and outside temperature.

## Dimensions



## ***Packing List***

---

- Propane Conversion Kit
- Log Set
- Glass Latch Tool
- Firestop (sku 250-00747)
- Remote Control

## ***Additional Items Required***

---

- Direct Vent
- Gas Line Equipment (shutoff valve, pipe, etc.)
- Electrical Equipment (min. 14 gauge, grounded line)

## ***Recommended Installation Procedure***

---

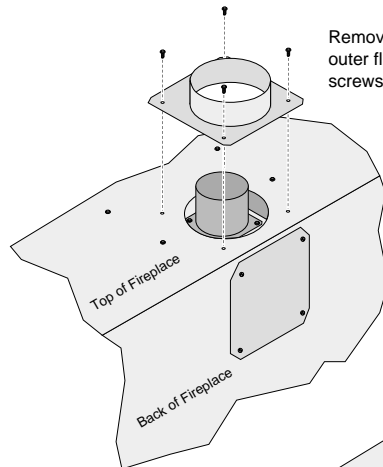
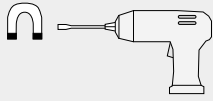
- Frame the opening for the fireplace. Make sure to allow for vent installation.
- This fireplace is designed to accommodate 1/2" (13mm) drywall (see "Nailing Brackets" on page 13 for details). Secure the fireplace to the framing.
- Install the vent, gas line and electrical hook-up.
- Install the drywall.
- Install the hearth (if applicable).
- Install the facing (if applicable).
- Install the mantel (if applicable).
- Finalize the installation (see page 34) and install the grill or face.

### Top Vent or Rear Vent Configuration

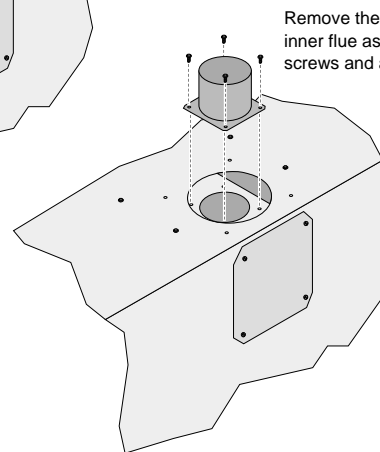
This appliance is shipped in the top vent configuration. To change to the rear vent configuration, follow the directions below.

**NOTE:** the vent configuration affects several aspects of installation (framing, maximum vent rise, maximum vent run). Make sure the vent configuration is correct prior to installation. You may wish to configure the diffuser when changing the vent configuration.

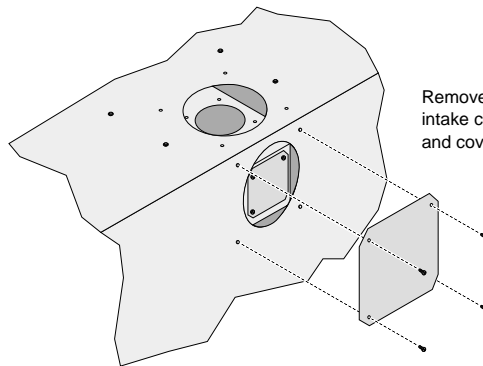
**NOTE:** Use a magnetic-tipped nutdriver on these screws - take care to prevent the screws from falling into the fireplace.



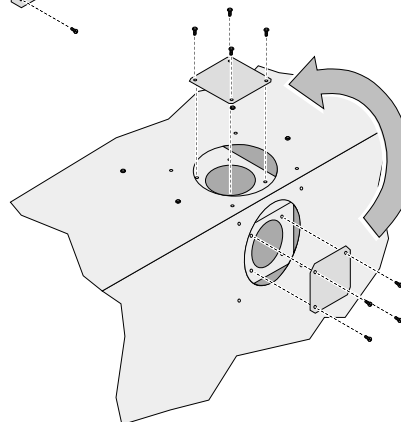
Remove the 4 screws securing the outer flue assembly. Place the screws and assembly aside.



Remove the 4 screws securing the inner flue assembly. Place the screws and assembly aside.



Remove the 4 screws securing the intake cover plate. Place the screws and cover plate aside.

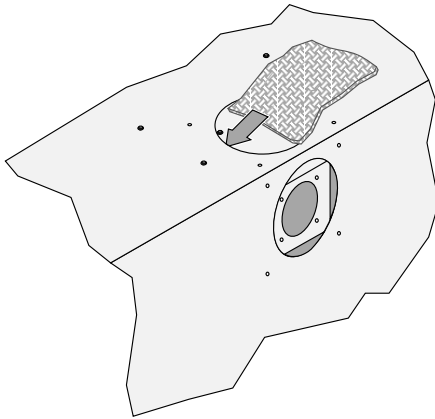


Remove the 4 screws securing the exhaust cover plate. Verify the gasket on the cover plate is in place, then attach it to the upper exhaust port with the same screws.

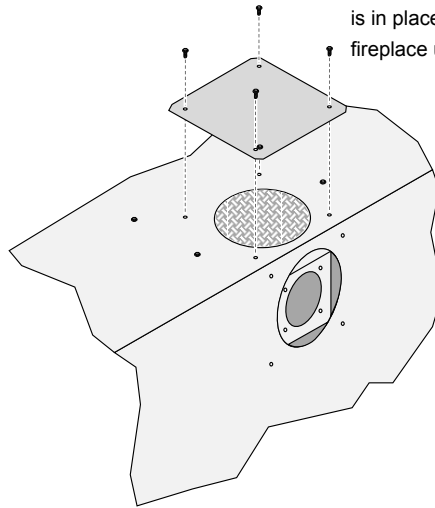


## Converting the Fireplace to Rear Vent Configuration (continued)

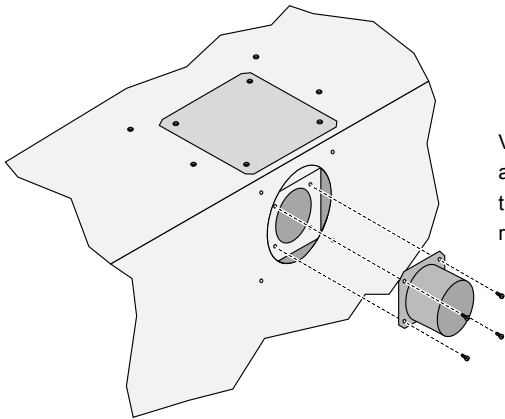
**Tuck the insulation (included in the rear vent conversion kit) into the area above the exhaust manifold. NOTE: The longer edge goes side to side. The insulation must be placed so it covers the entire area over the exhaust manifold.**



Verify the gasket on the intake cover plate is in place, then attach it to the top of the fireplace using the screws removed earlier.

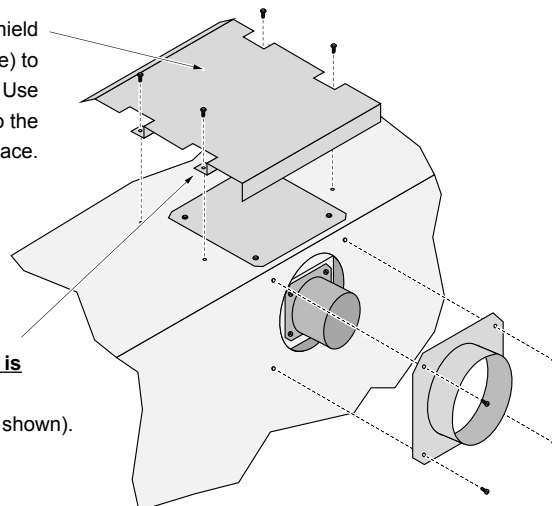


Verify the gasket on the inner flue assembly is in place, then attach it to the exhaust port using the screws removed earlier.



Attach the heat shield (included with the fireplace) to the top of the fireplace. Use the screws pre-attached to the top of the fireplace.

**Make sure the heat shield is properly formed** (bend the mounting legs as shown).



Verify the gasket on the outer flue assembly is in place, then attach it to the fireplace using the screws removed earlier.

# 10

# Installation (for qualified installers only)

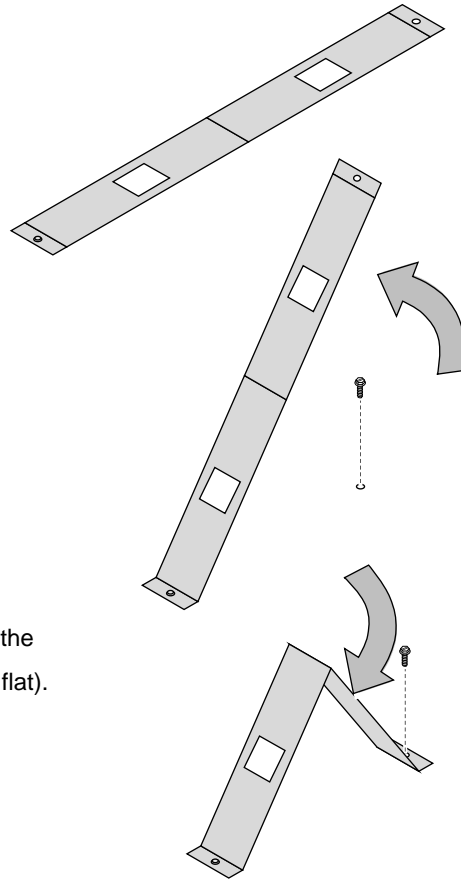
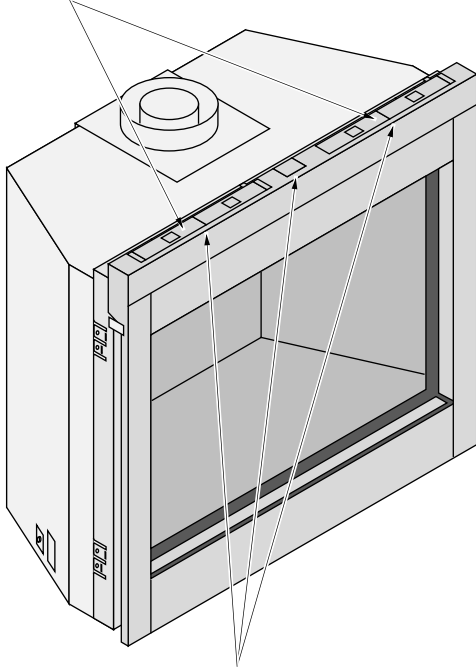
## Standoff and Drywall Support Preparation

- The two standoffs and three drywall supports are shipped in the flat position. Make sure to bend (and secure) the standoffs and drywall supports as shown below.

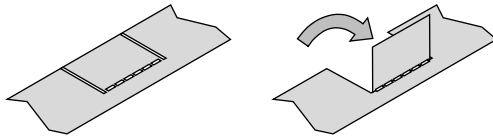
Bend both standoffs as shown below.

Remove the screw from the top of the fireplace and secure the standoff as shown.

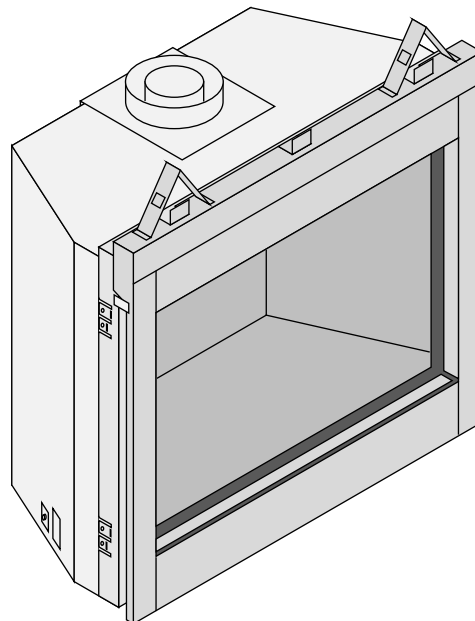
The two standoffs are shipped flat.



Bend the three drywall supports up 90 degrees (the outer two are concealed when the standoffs are flat).



When in place, the standoffs and drywall supports should look as shown to the right.



## ***Fireplace Placement Requirements***

---

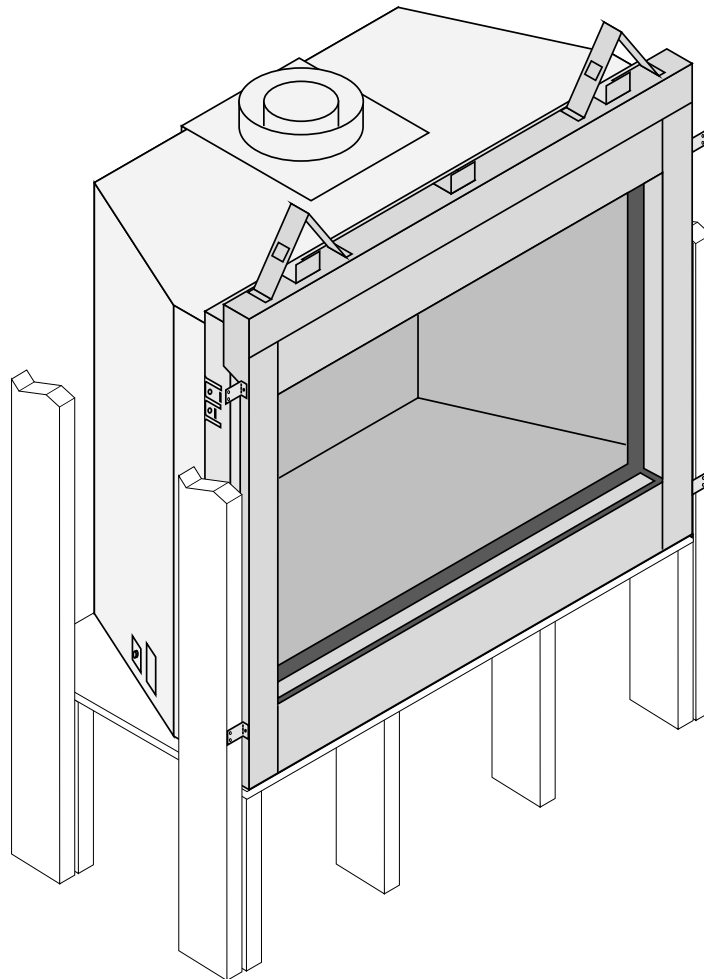
- Fireplace must be installed on a level surface capable of supporting the fireplace and vent
- Fireplace must be placed directly on wood or non-combustible surface (not on linoleum or carpet)
- This heater may be placed in a bedroom. Please be aware of the large amount of heat this appliance produces when determining a location.
- Due to the high temperature, the heater should be located out of traffic and away from furniture and draperies.
- Fireplace must be placed so the vents below and above the glass do not become blocked.

## **Clearances**

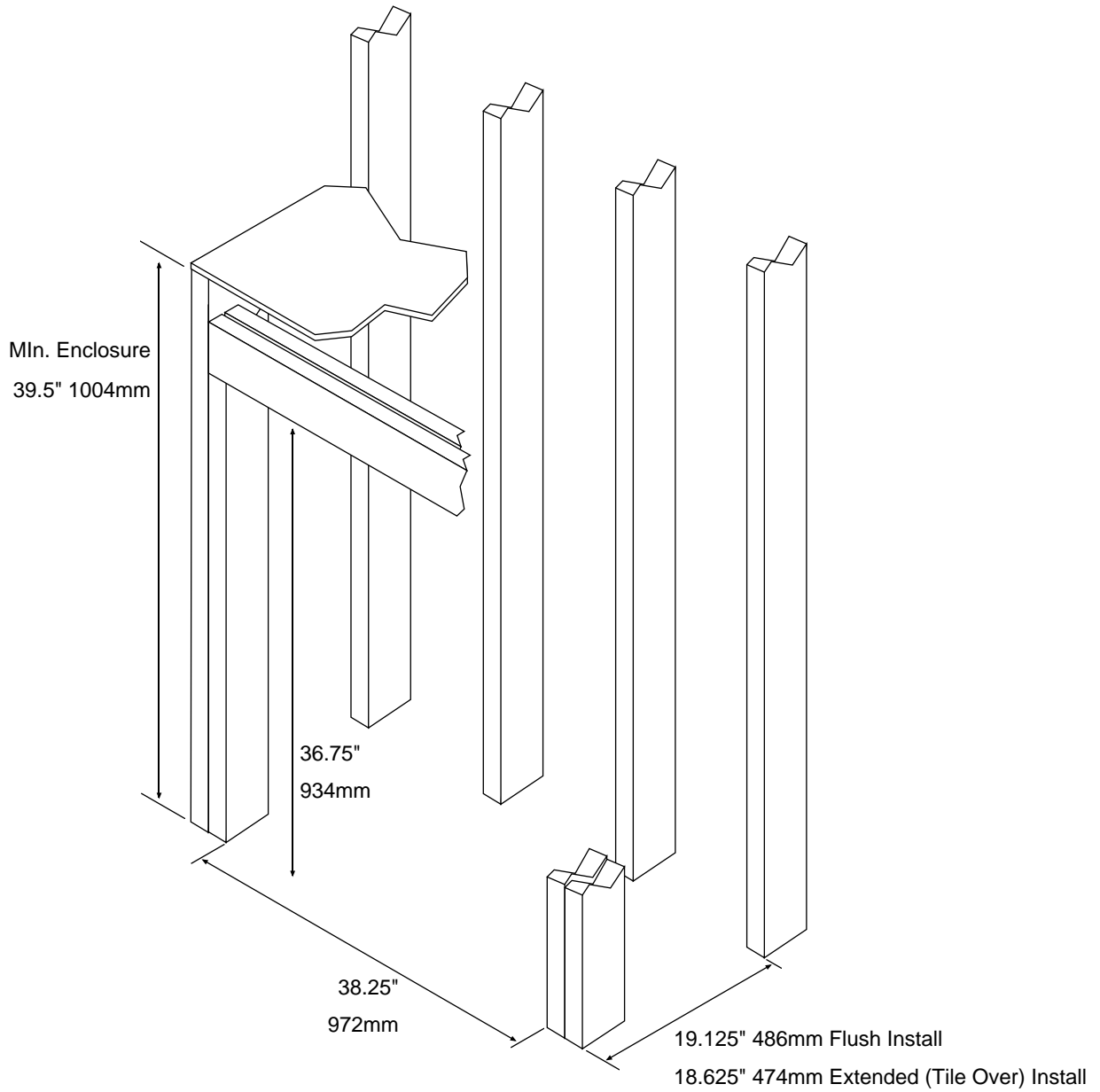
- The fireplace requires a 1/2" (13mm) clearance from the angled sides and back of the fireplace to the framing members. No material (insulation, framing, etc.) may be placed into this area.
- When installed, walls in front of the fireplace must be a minimum 1" (25mm) to the side of the fireplace.

## **Raised Fireplaces**

- The fireplace (and hearth, if desired) may be placed on a platform designed to support the fireplace (155 Lbs. 69 Kg) and vent.
- The base of the fireplace must be a minimum 70" (1778mm) below the room ceiling.



Minimum Framing Dimensions



## Nailing Brackets

The fireplace has nailing brackets on both sides. Once in place, secure the fireplace to the framing.

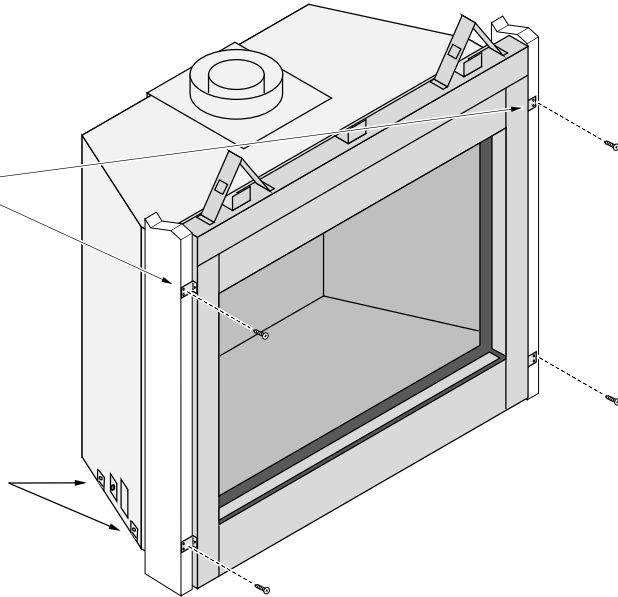
**NOTE:** Make sure the fireplace is square and plumb when securing the fireplace.

### **SPECIAL NOTE WHEN USING "SUBMERGED FACING" OPTION**

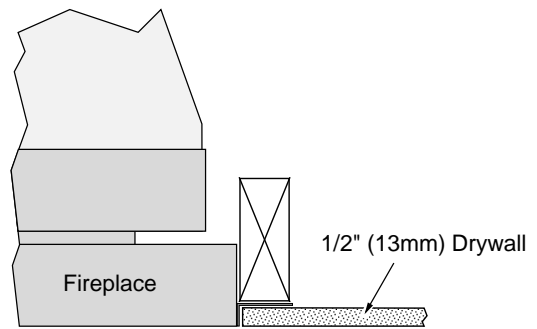
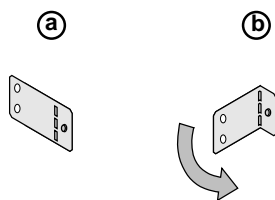
Most installations use the "Standard Facing" position for the nailing brackets. When using the "Submerged Facing" option, the fireplace is positioned  $\frac{1}{2}$ " to the rear. Make sure to accommodate this dimension when configuring framing and determining the vent position, gas line position, etc.

**Bend the nailing brackets out and secure to the side framing.**

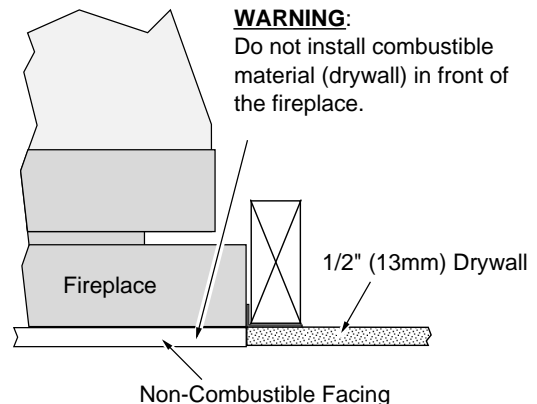
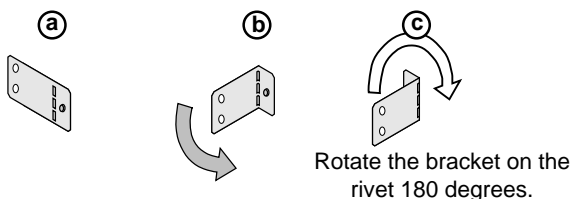
Additional nailing brackets are provided along the base of the fireplace. Use these brackets if not using the front brackets.



### **Standard Facing (drywall contacts side of fireplace)**

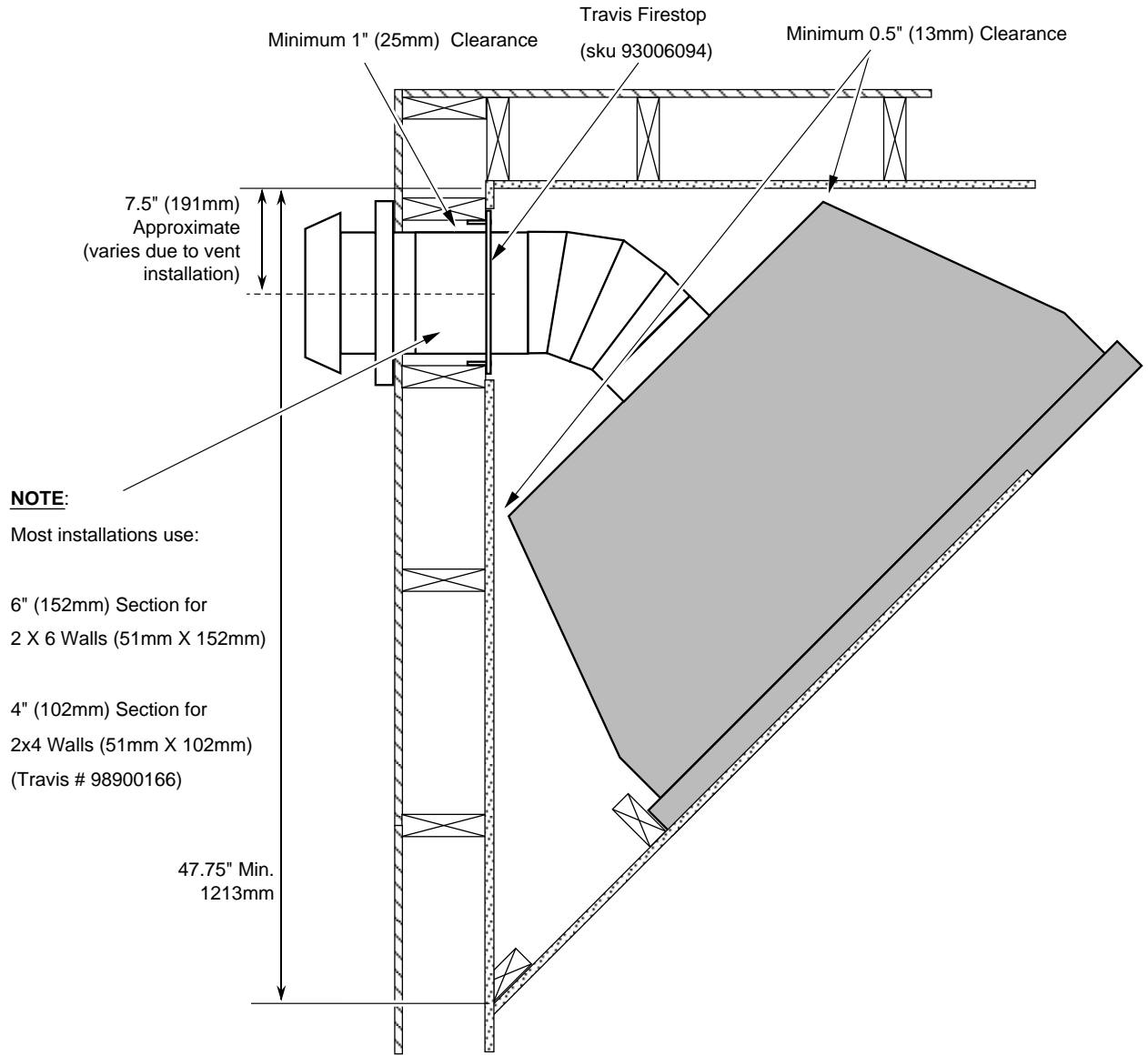


### **Submerged Facing (Drywall butts against non-combustible facing)**



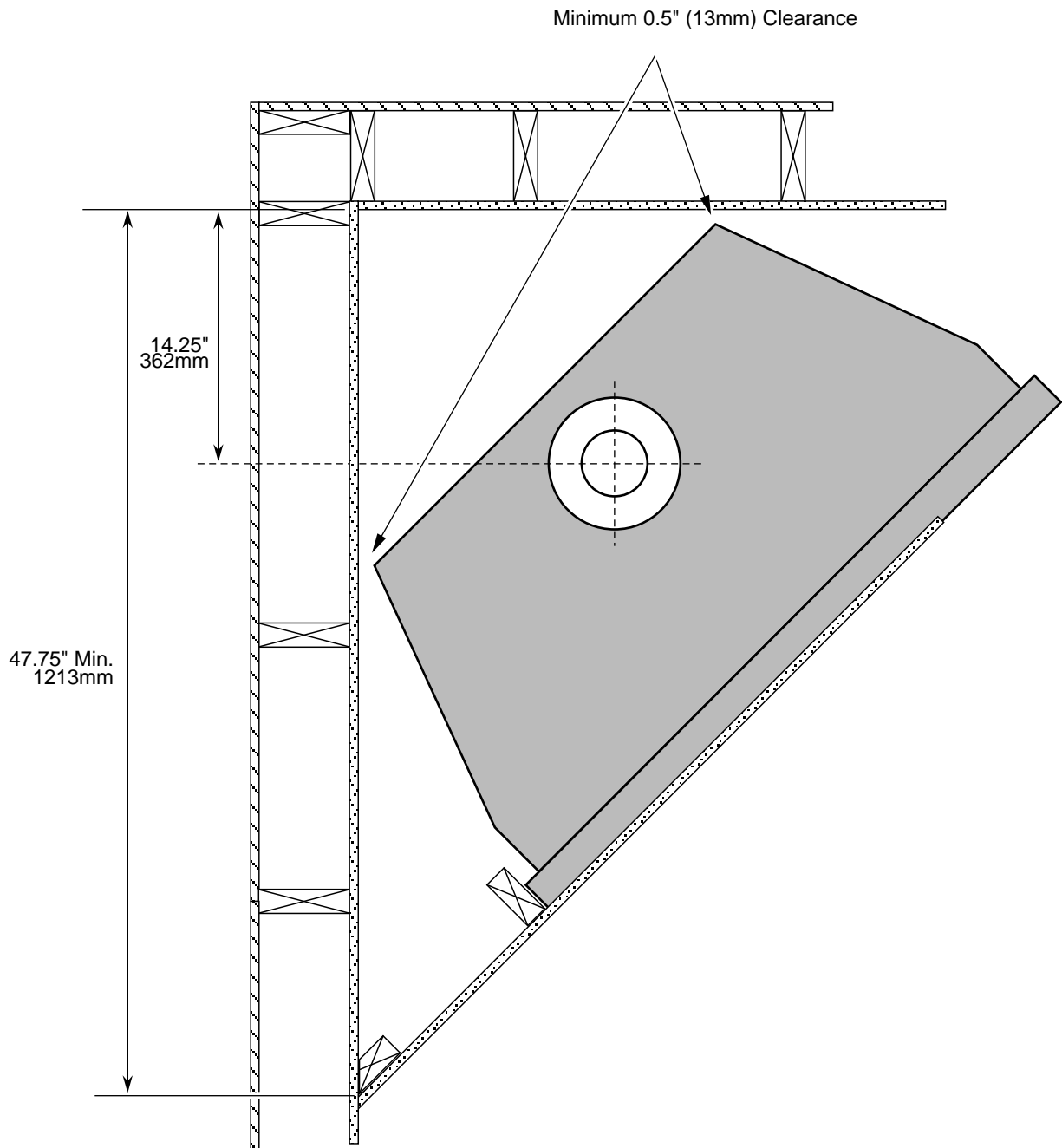
**Corner Installations - Rear Vent Configuration**

A typical 45° installation uses the framing dimensions shown in the illustration below (NOTE: all clearances still apply).



## Corner Installations - Top Vent Configuration

A typical 45° installation uses the framing dimensions shown in the illustration below (NOTE: all clearances still apply).



**Gas Line Requirements**

- The gas line must be installed in accordance with all local codes and the requirements listed below. In the absence of local codes, follow ANSI 223.1 in US/Canada or AS/NZS 5601.1 in Australia.
- The fireplace and gas control valve must be disconnected from the gas supply piping during any pressure testing of that system at test pressures in excess of 1/2 psig (3.5 kPa). For pressures under 1/2 psig (kPa), isolate the gas supply piping by closing the manual shutoff valve.
- Leak test all gas line joints and the gas control valve prior to and after starting the fireplace.

**Fuel**

- This fireplace is designed either for natural gas or for propane (but not for both). Check the sticker on the top of the gas control valve to make sure the correct fuel is used.

**Gas Line Connection**

- Installation must be performed by a qualified installer, service agency or the gas supplier (In Massachusetts a licensed plumber/gasfitter).

**Gas Inlet Pressure**

	Standard Input Pressure
Natural Gas	1.74 kPa (Min. 1.13 kPa)
Propane	2.74 kPa

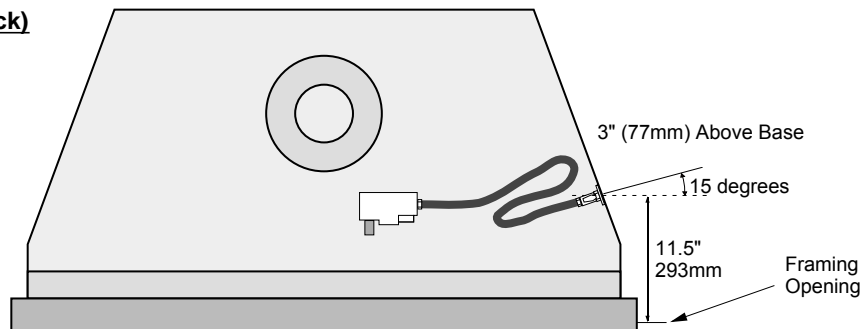
- If the pressure is not sufficient, make sure the piping used is large enough, the supply regulator is adequately adjusted, and the total gas load for the residence does not exceed the amount supplied.
- The supply regulator (the regulator that attaches directly to the residence inlet or to the propane tank) should supply gas at the suggested input pressure listed above. Contact the local gas supplier if the regulator is at an improper pressure.



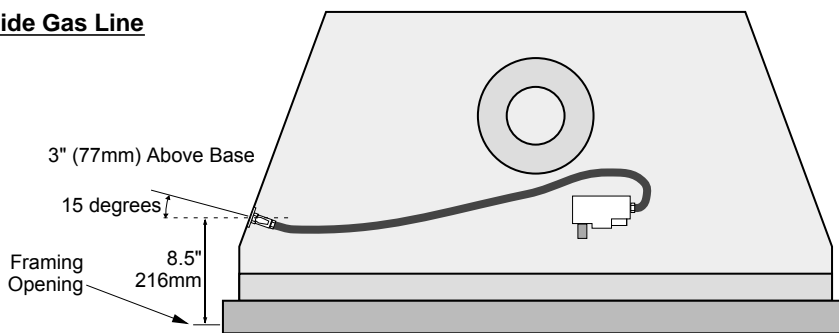
## Gas Line Location

**NOTE:** The shutoff valve is attached to the side of the fireplace. If using rigid pipe, the shutoff valve may be removed from the cover plate and attached to the shutoff valve inside the fireplace.

### Right Side Gas Line (Stock)



### Left Side Gas Line

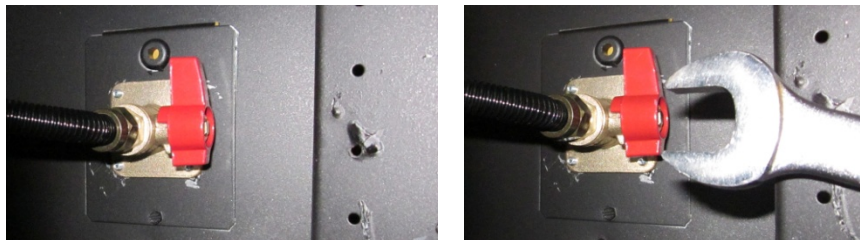


## Converting Gas Line to the Left Side

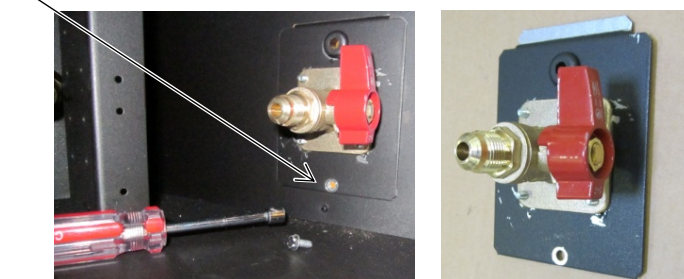
### ACCESSING THE AREA UNDER THE BURNER

If switching the gas line to the left side, see page 19 for accessing the area under the burner.

1. Disconnect the gas line from the shutoff valve (3/4" wrench). Gas line is located inside the fireplace on the right side.



2. Remove the screw that holds the shutoff valve plate in place (1/4" nutdriver). Remove the shutoff valve plate.



3. Remove the cover plate from the left side of the fireplace (it is held in place in the same fashion as the shutoff valve plate). Attach it to the right side of the fireplace.
4. Attach the shutoff valve plate to the left side of the fireplace. Route the gas line to the left side and re-attach the gas line to the shutoff valve. Make sure to leak test the entire gas line.

***Electrical Connection (required)***

---

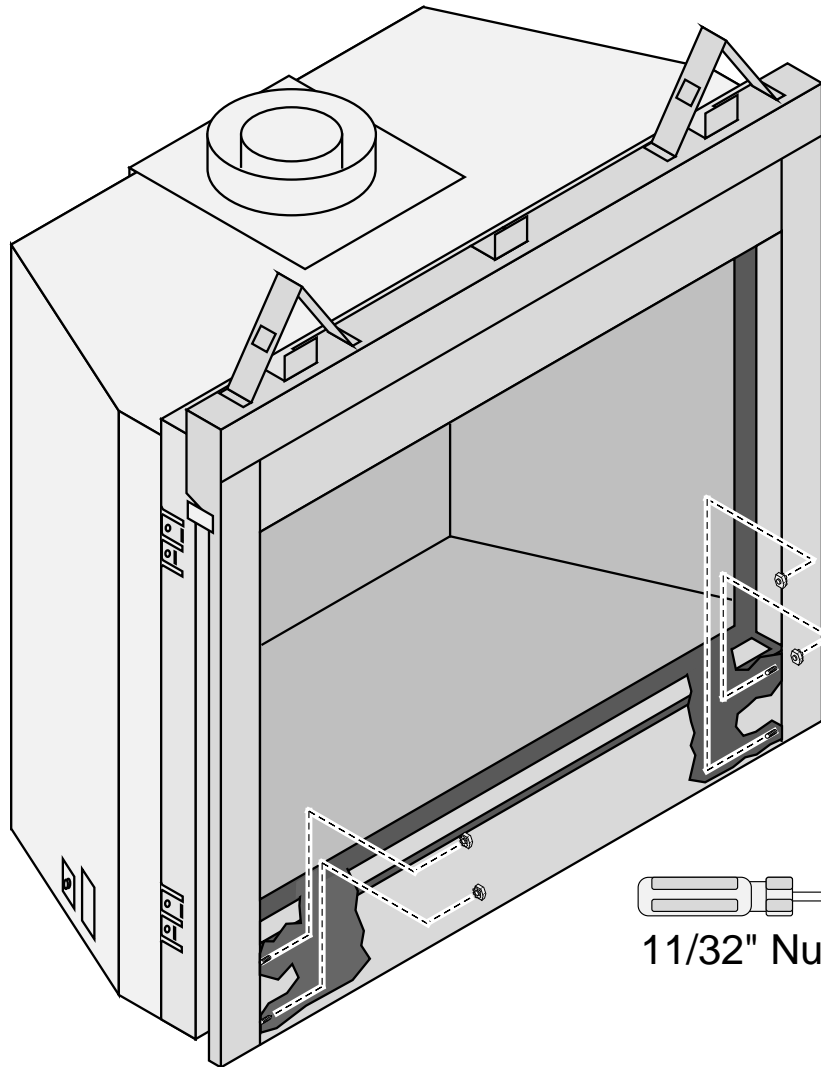
- The electrical line to the grounded receptacle inside the fireplace must be installed by a qualified installer and must meet all local codes.
- Make sure the household breaker is shut off prior to working on any electrical lines.
- The appliance, when installed, must be electrically grounded in accordance with local codes or, in the absence of local codes, with the National Electrical Code, ANSI/NFPA 70, or the Canadian Electrical Code, CSA C22.1.
- The electrical line must supply 240 Volts at 60 Hz (2 Amps).


**Caution:** Label all wires prior to disconnection when servicing controls. Wiring errors can cause improper and dangerous operation.

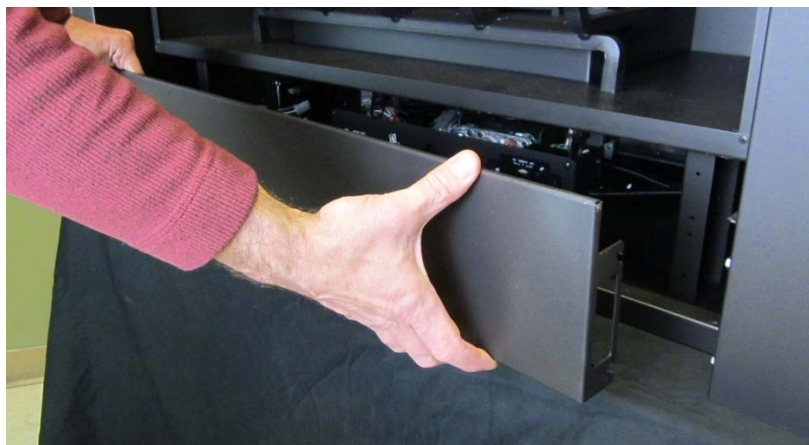
## Accessing the Area Under the Burner

The lower panel may be removed to access components. This is required when relocating the electrical or gas inlet location or installing the LP regulator.

- (a) **Loosen** the four nuts.
- (b) Lift the panel up, rotate it forward and remove.



  
11/32" Nutdriver



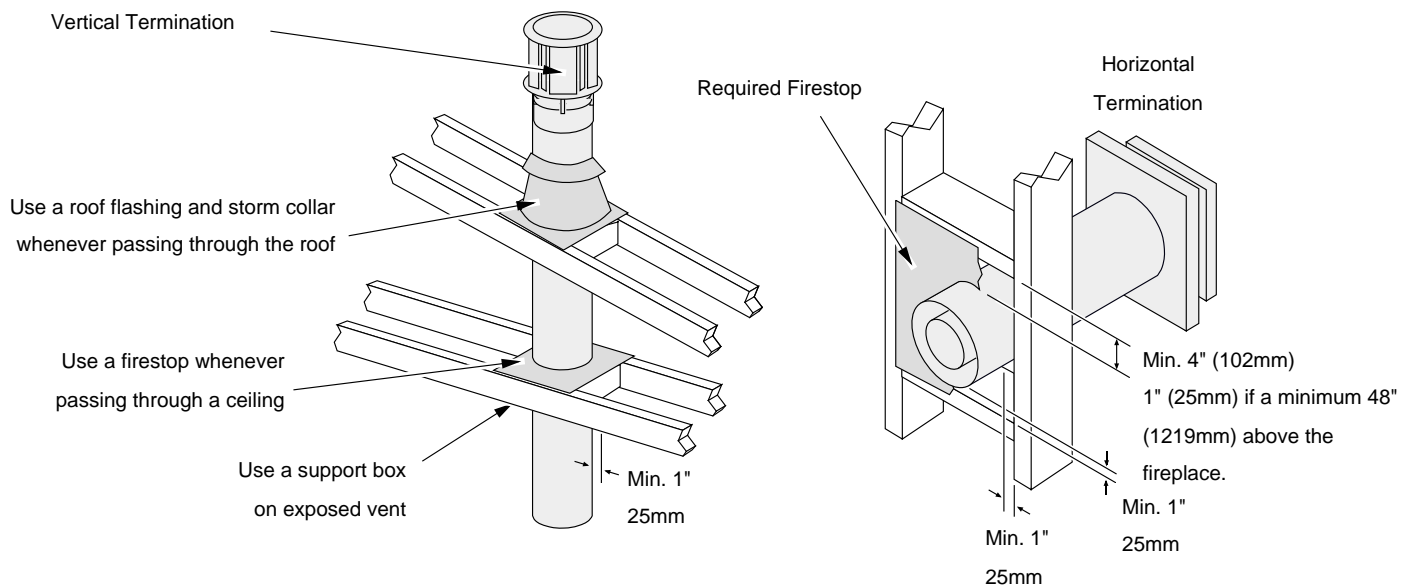
## Vent Requirements

- The gas appliance and vent system must be vented directly to the outside of the building, and never be attached to a chimney serving a separate solid fuel or gas-burning appliance. Each direct vent gas appliance must use its own separate vent system.
- In addition to the requirements listed here, follow the requirements provided with the vent.
- A firestop is required whenever the vent penetrates a wall, floor, or ceiling (passes through framing members). Horizontal vent less than 48" (1219mm) above the fireplace must use the Travis Firestop (sku 250-00747 - it incorporates a 4" (102mm) clearance above, 1" (25mm) clearance below and to the sides of the vent). Other penetrations only require a 1" (25mm) clearance and may use a standard firestop (make sure the required 1" (25mm) clearance is met).

## Vent Clearances

- The vent must maintain the required clearance to combustibles to prevent a fire. Do not fill air spaces with insulation.

	Before 48" (1219mm) Rise	After 48" (1219mm) Rise
Sides	1" (25mm)	1" (25mm)
Above	4" (102mm)	1" (25mm)
Below Horizontal or 45° Section	1" (25mm)	1" (25mm)



## Altitude Considerations

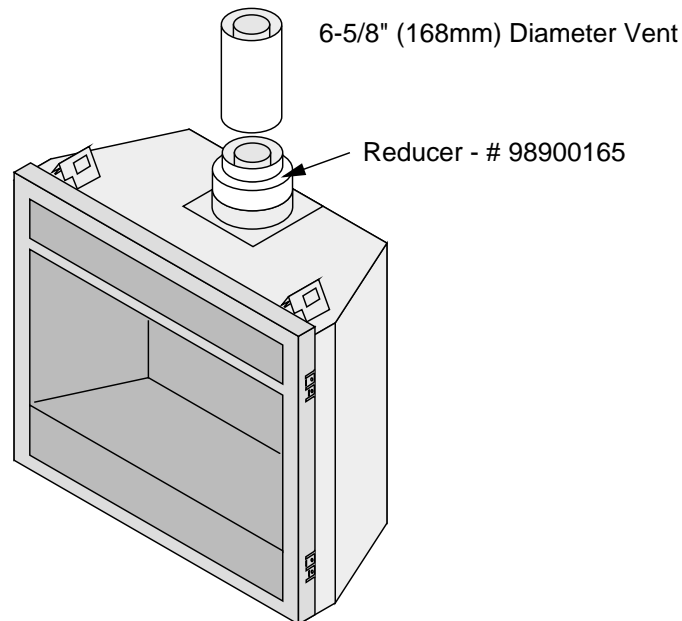
- This heater has been tested at altitudes ranging from sea level to 6,000 feet (1800 M). In this testing we have found that the heater, with its standard orifice, burns correctly with just an air shutter adjustment.
- Failure to adjust the air shutter properly may lead to improper combustion which can create a safety hazard. Consult your dealer or installer if you suspect an improperly adjusted air shutter.

## Approved Vent

- Rear vent configurations use 8" (203mm) diameter Simpson Dura-Vent Model Direct-Vent Pro (or GS)\*.
- \* Other vent may be approved with this fireplace. Check with the vent manufacturer for details.
- Top vent configurations use 8" (203mm) or 6-5/8" (168mm) diameter Simpson Dura-Vent Direct-Vent Pro (or GS)\*. If using 6-5/8" (168mm) diameter vent, attach the 8" (203mm) to 6-5/8" (168mm) reducer (Travis part # 98900165) to the fireplace.

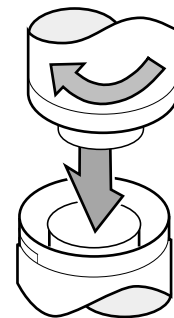
**NOTE:** When using 6-5/8" (168mm) diameter vent, make sure to accommodate the 4" (102mm) clearance above the vent for the first 48" (1219mm) of rise (see vent clearances on page 20). Standard firestops do not include this clearance.

- Always use the high-wind cap (or high-wind sconce cap, part # 58DVA-HSCH or 46DVA-HSCH).
- Installation instructions for Simpson Dura-Vent may be found at [www.duravent.com](http://www.duravent.com)



## Vent Installation

- Slide the vent sections together and turn 1/4 turn until the sections lock in place.
- Screws are not required to secure the vent. However, three screws may be used to secure vent sections together if desired.
- High temperature sealant is recommended at the appliance starter section connection (use high-temperature silicone or Mill-Pac®).
- If disassembly is required, at time of re-assembly check to see if the vent creates a tight fit. If it does not, apply high temperature sealant to the joints of the affected sections.
- Horizontal sections require a 1/4" (6mm) rise every 12" (305mm) of travel
- Horizontal sections require non-combustible support every three feet (e.g.: plumbing tape)



## Approved Vent Configurations

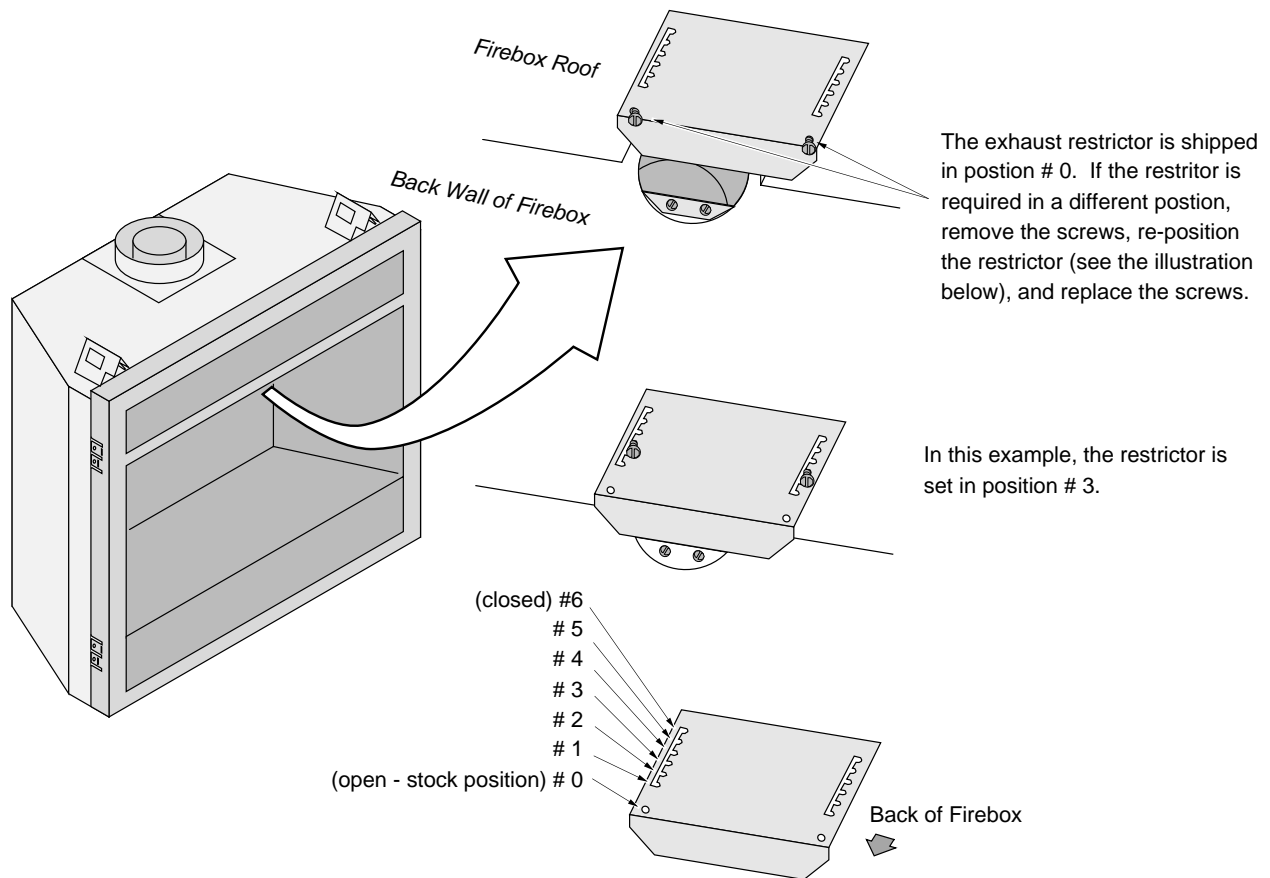
### Restrictor Position

- Intake and exhaust restrictors are built into the appliance to adjust the flow rate of intake air and exhaust gases. Depending upon the vent configuration, you may be required to adjust the restrictor positions. The charts for acceptable vent configurations detail the correct vent restrictor positions.

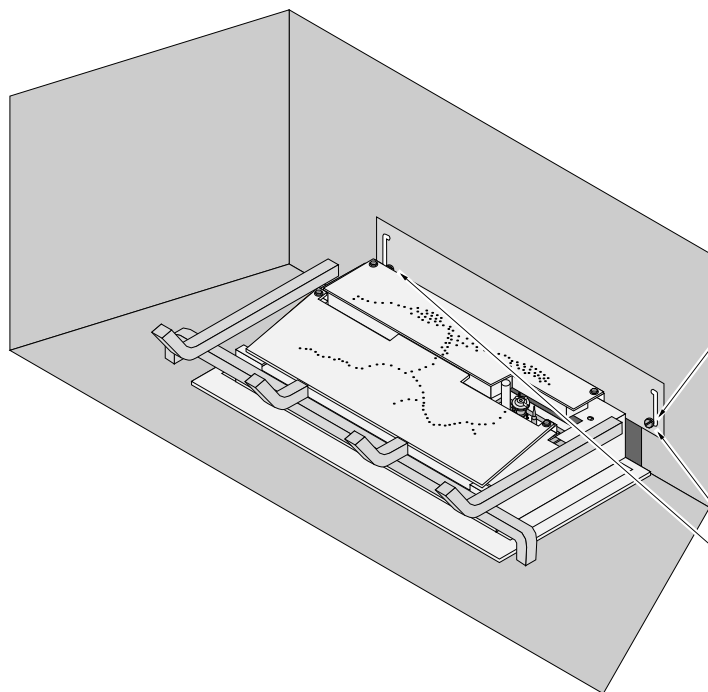
### Exhaust Restrictor Adjustment



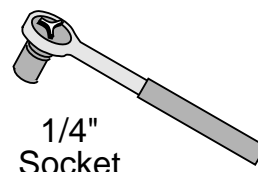
If the diffuser is required to be in position # 2, you may wish to adjust the diffuser while the exhaust restrictor is removed.



## Intake Restrictor Adjustment

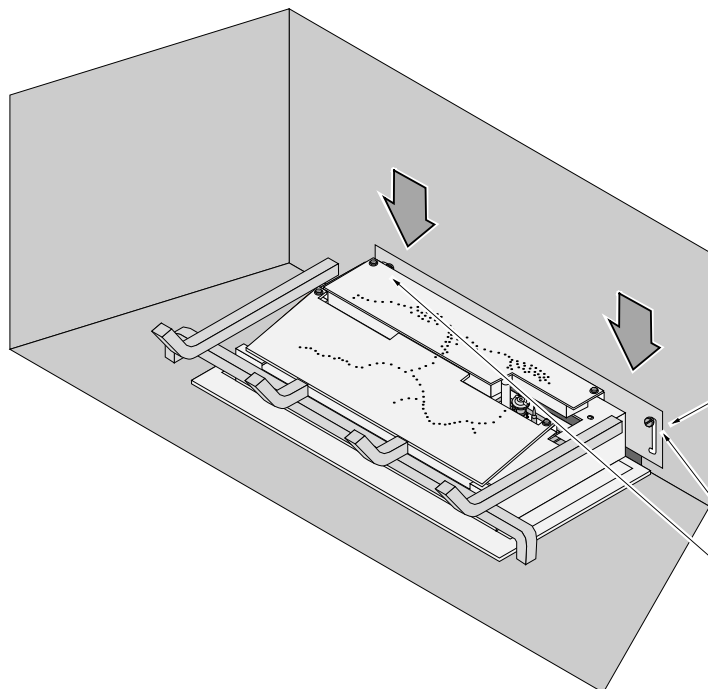


Position # 1 (open)



1/4"  
Socket

Loosen the two screws holding the intake restrictor in place..

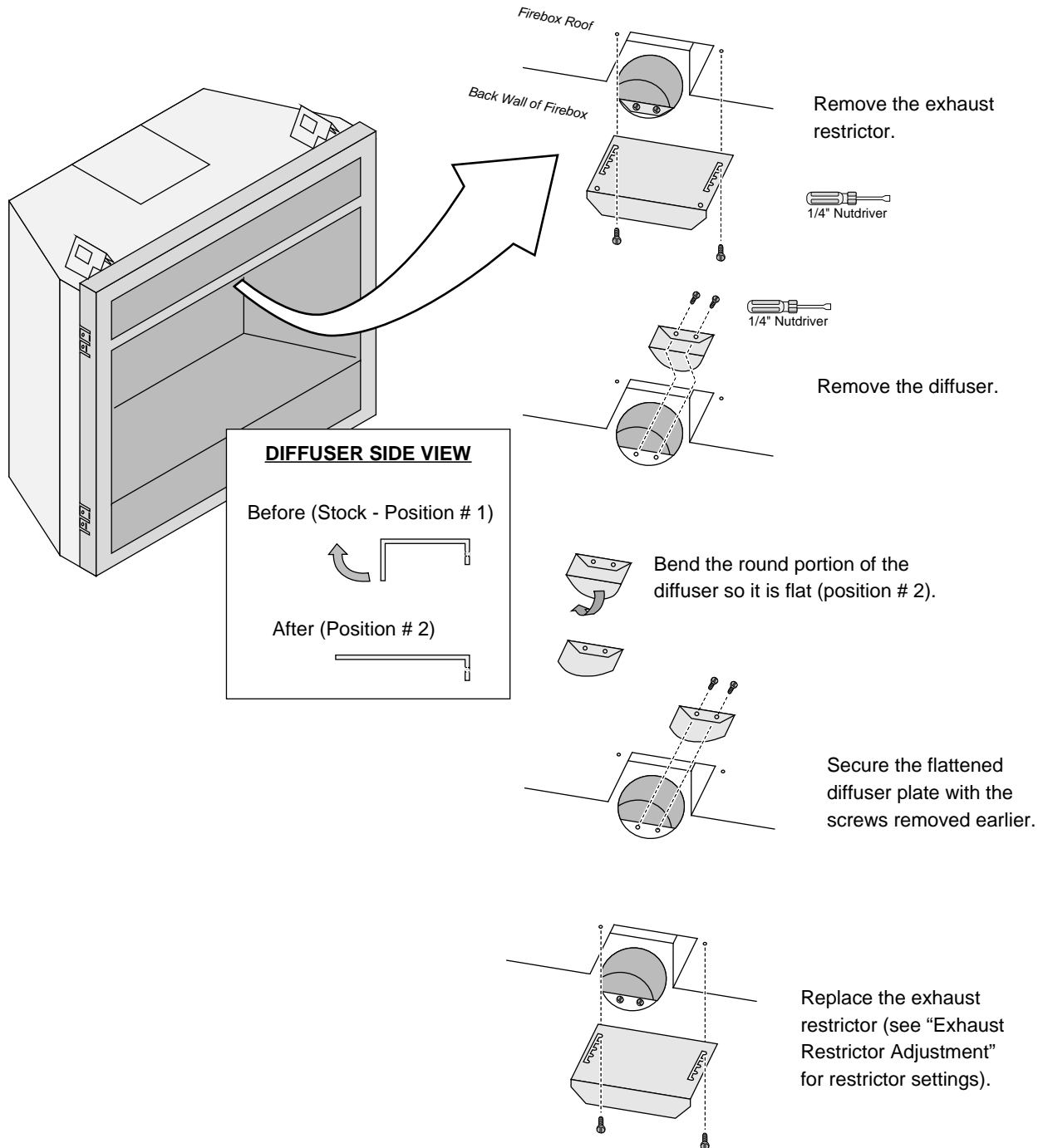


Position # 2 (closed)

Slide the restrictor down to the lower position and tighten the screws.

**Diffuser Plate Adjustment**

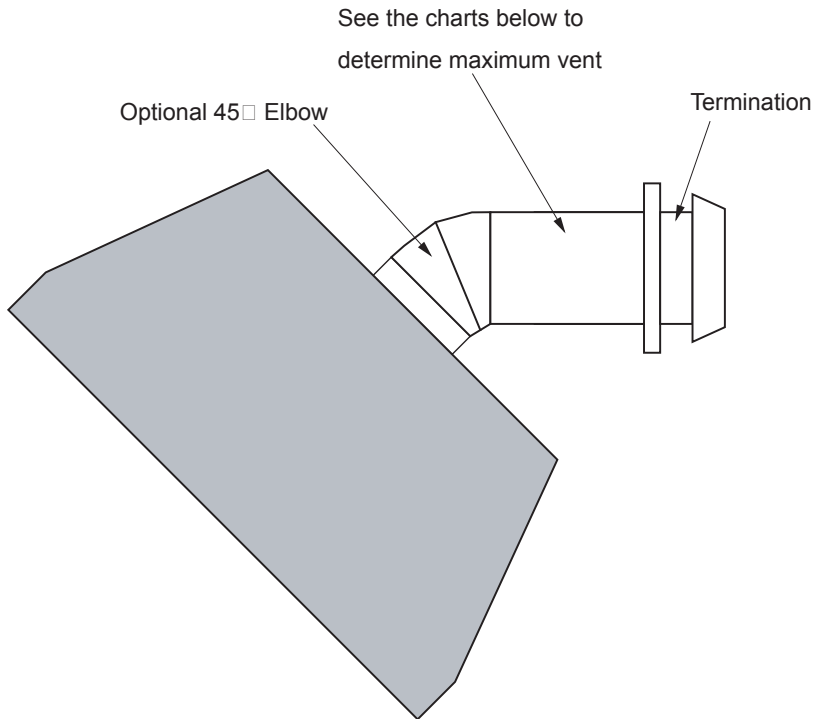
Certain vent configurations require the diffuser plate to be adjusted (refer to the approved vent configuration charts for details). Position # 1 is stock (bent). Position # 2 is flattened. See the directions below to change the diffuser to position #2.



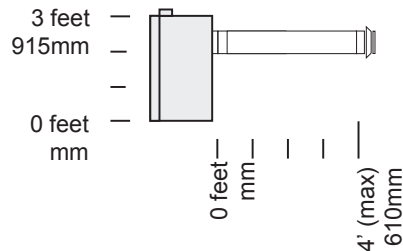


## Rear Vent Configuration with Horizontal Termination (no vertical rise)

- The termination must fall within the shaded area shown in the chart. Use the indicated restrictor and diffuser positions.



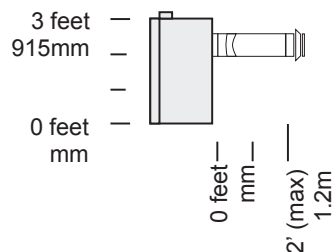
### Vent with No 45° Elbow



-Exhaust Restrictor:  
Remove the exhaust restrictor and replace the screws.  
-Intake Restrictor # 1 (stock)  
-Diffuser Position # 1 (stock)

-Min. 4" (102mm) Horizontal Section  
-Max. 48" (1.2m) Horizontal Section(s)

### Vent with 1 45° Elbow

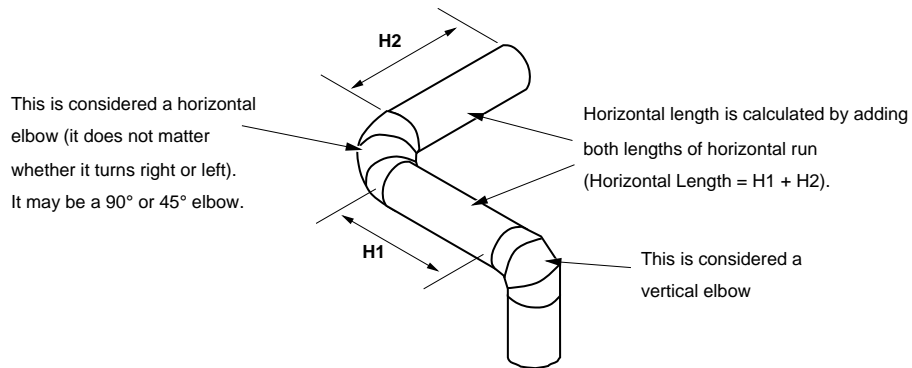
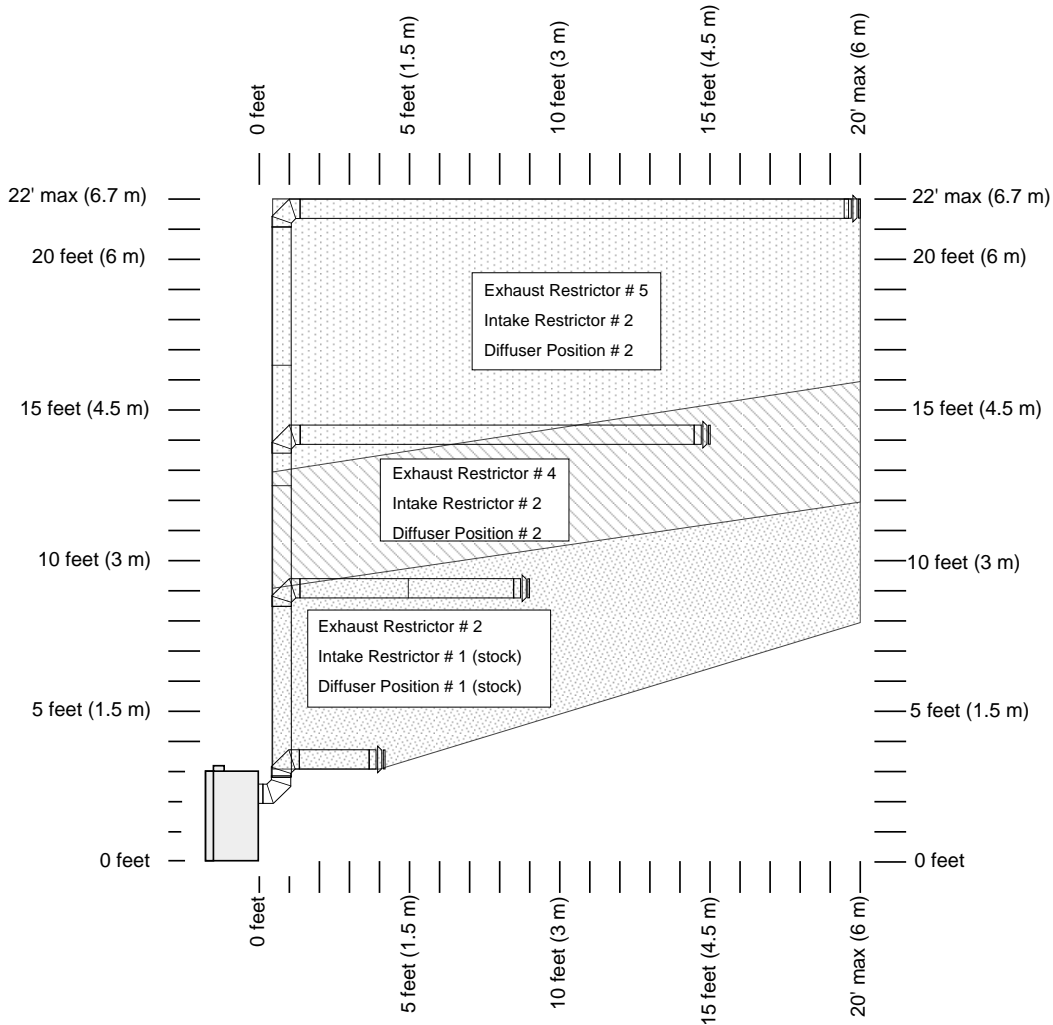


-Exhaust Restrictor:  
Remove the exhaust restrictor and replace the screws.  
-Intake Restrictor # 1 (stock)  
-Diffuser Position # 1 (stock)

-Min. 4" (102mm) Horizontal Section  
-Max. 24" (610mm) Horizontal Section(s)

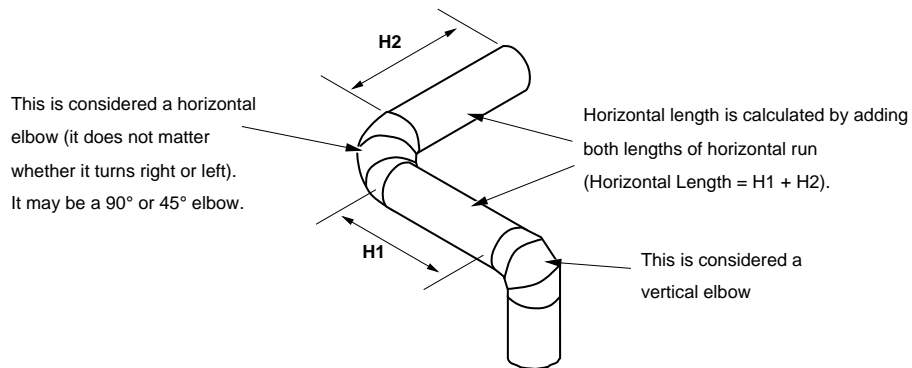
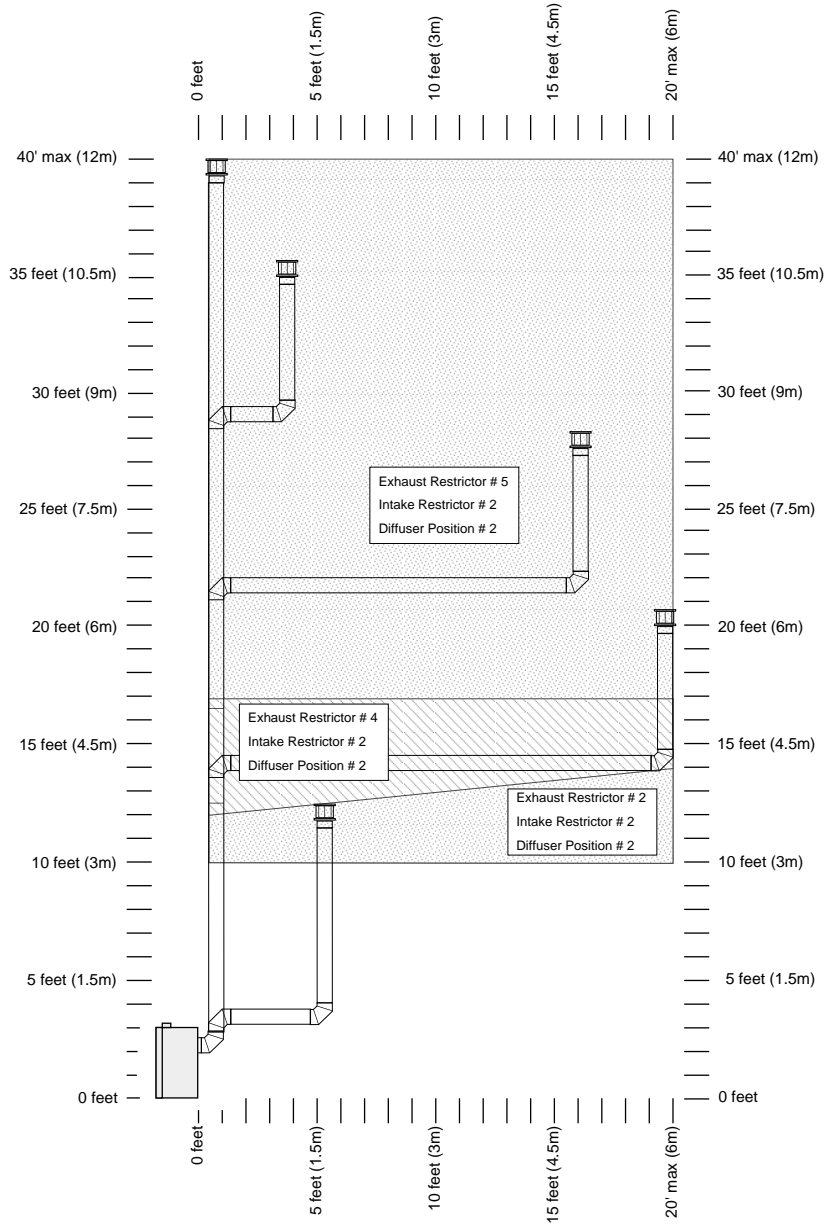
**Rear Vent Configuration with Horizontal Termination (with vertical rise)**

- The termination must fall within the shaded area shown in the chart. Use the indicated restrictor and diffuser positions.
- Up to four elbows (45° or 90°) may be used.
- Only one horizontal elbow may be used.



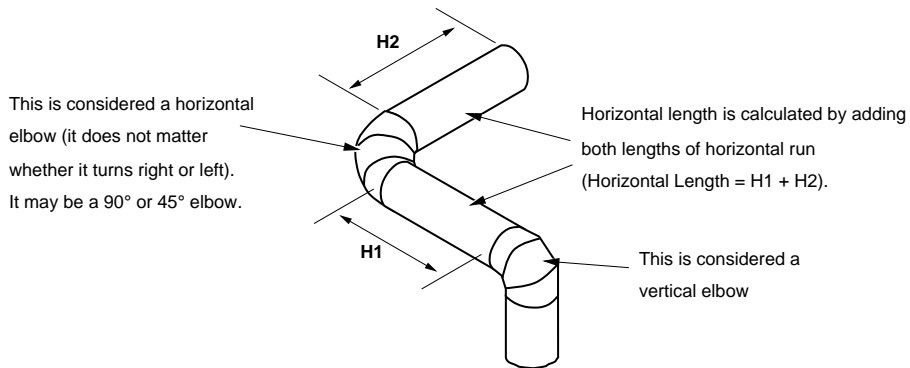
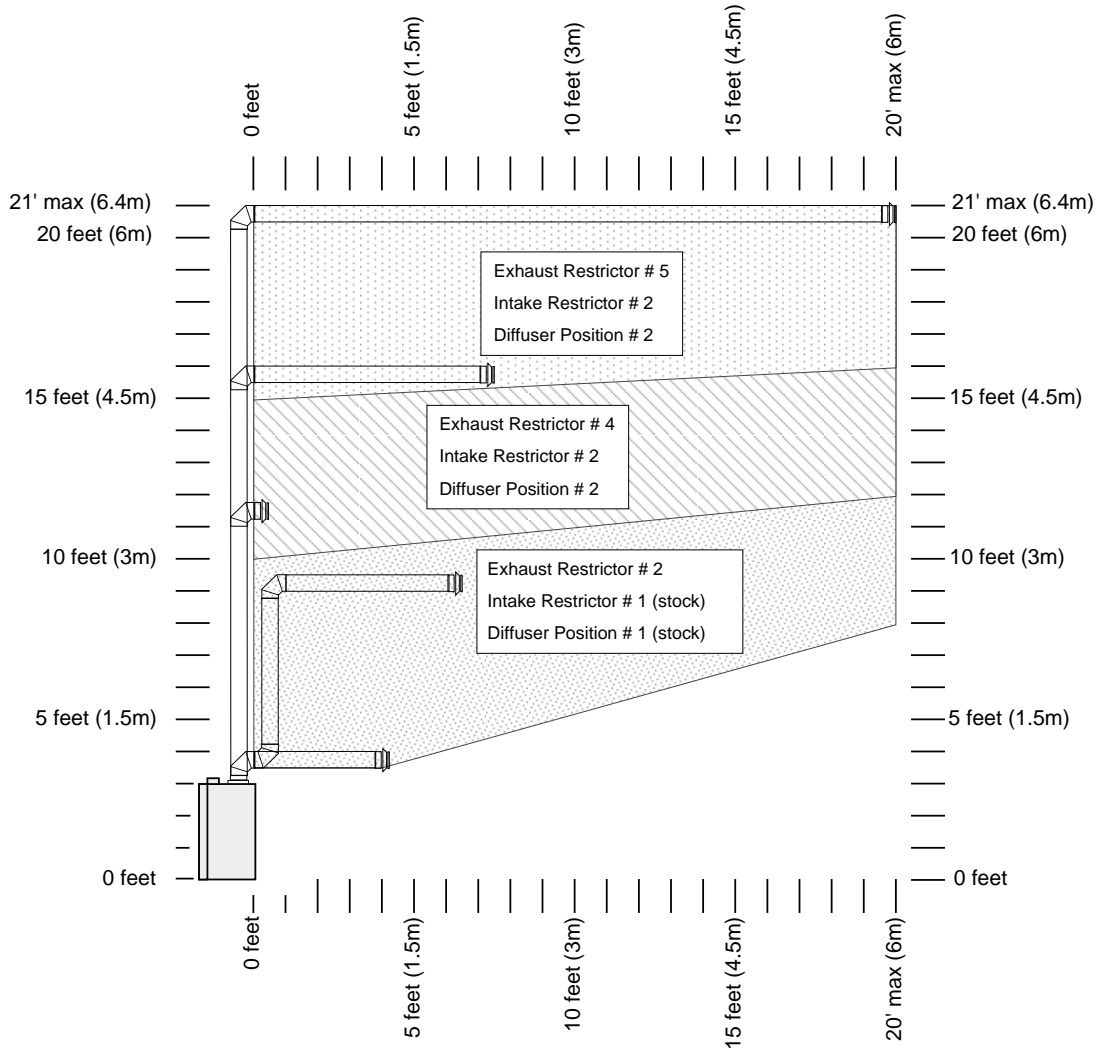
## Rear Vent Configuration with Vertical Termination

- The termination must fall within the shaded area shown in the chart. Use the indicated restrictor and diffuser positions.
- Up to four elbows (45° or 90°) may be used.
- Only one horizontal elbow may be used.



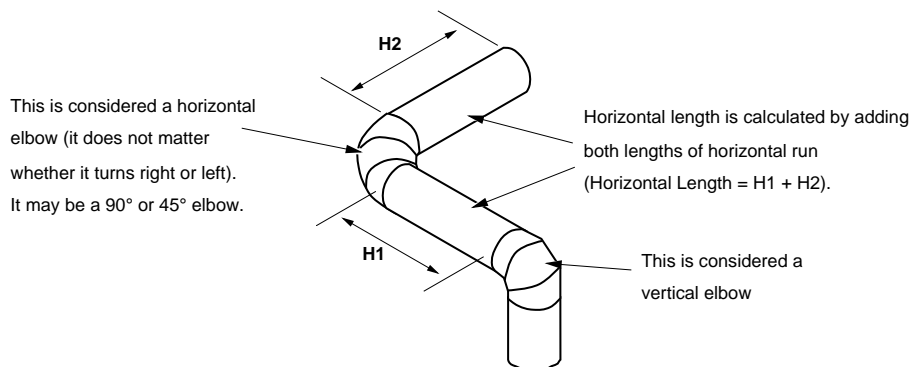
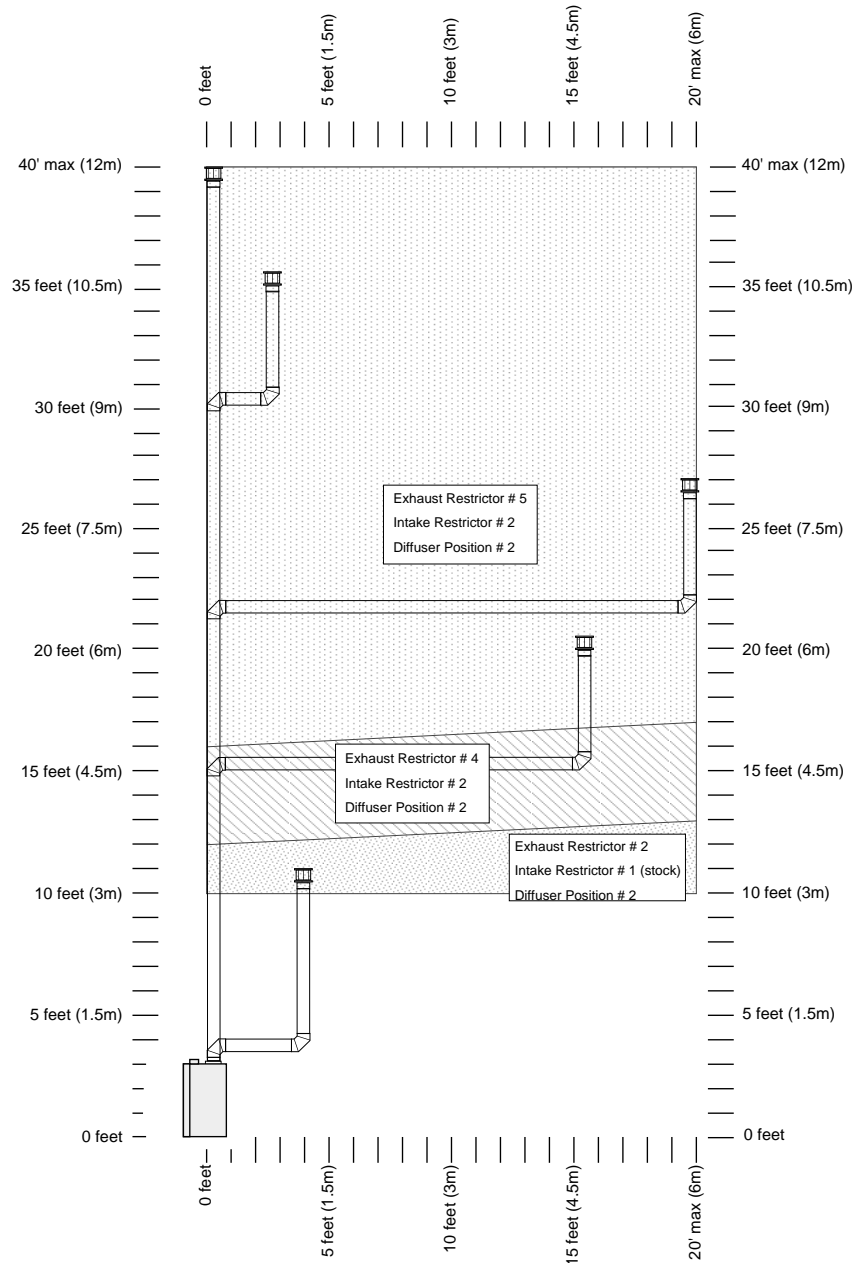
**Top Vent Configuration with Horizontal Termination**

- The termination must fall within the shaded area shown in the chart. Use the indicated restrictor and diffuser positions.
- Up to four elbows (45° or 90°) may be used.
- May use 8" (203mm) or 6-5/8" (168mm) diameter vent (see page for 20 details).
- Only one horizontal elbow may be used.



## Top Vent Configuration with Vertical Termination

- The termination must fall within the shaded area shown in the chart. Use the indicated restrictor and diffuser positions.
- Up to four elbows (45° or 90°) may be used.
- Only one horizontal elbow may be used.
- May use 8" (203mm) or 6-5/8" (168mm) diameter vent (see page for 20 details).

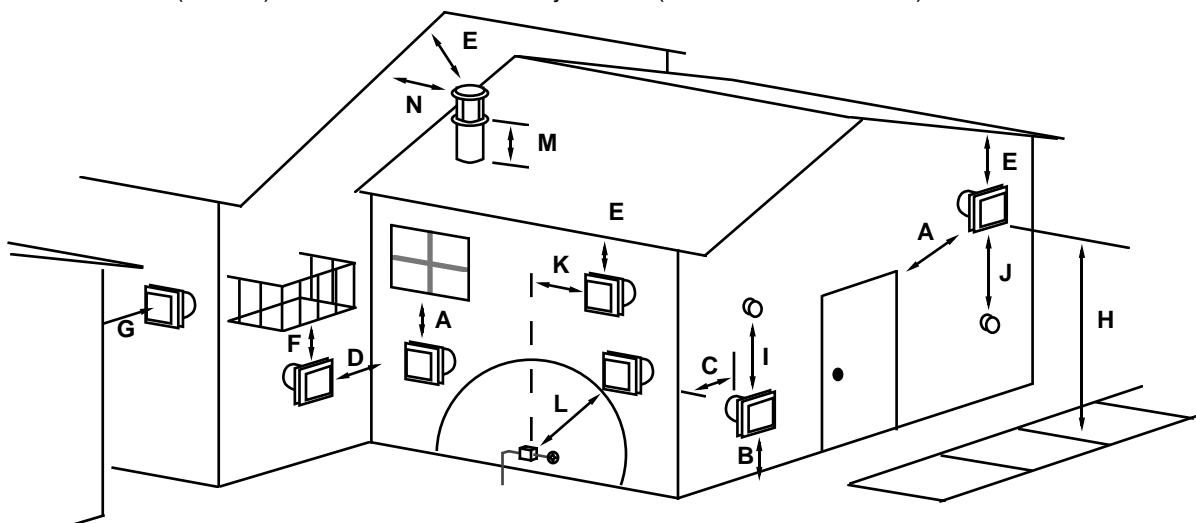
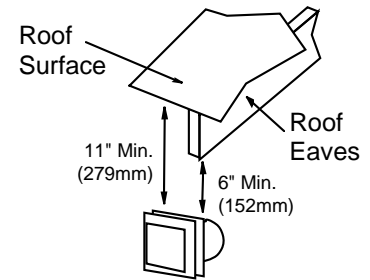


## Termination Requirements

### Vent Terminations Must Comply with AS/NZS 5601.1

**! Venting terminals shall not be recessed into a wall or siding.**

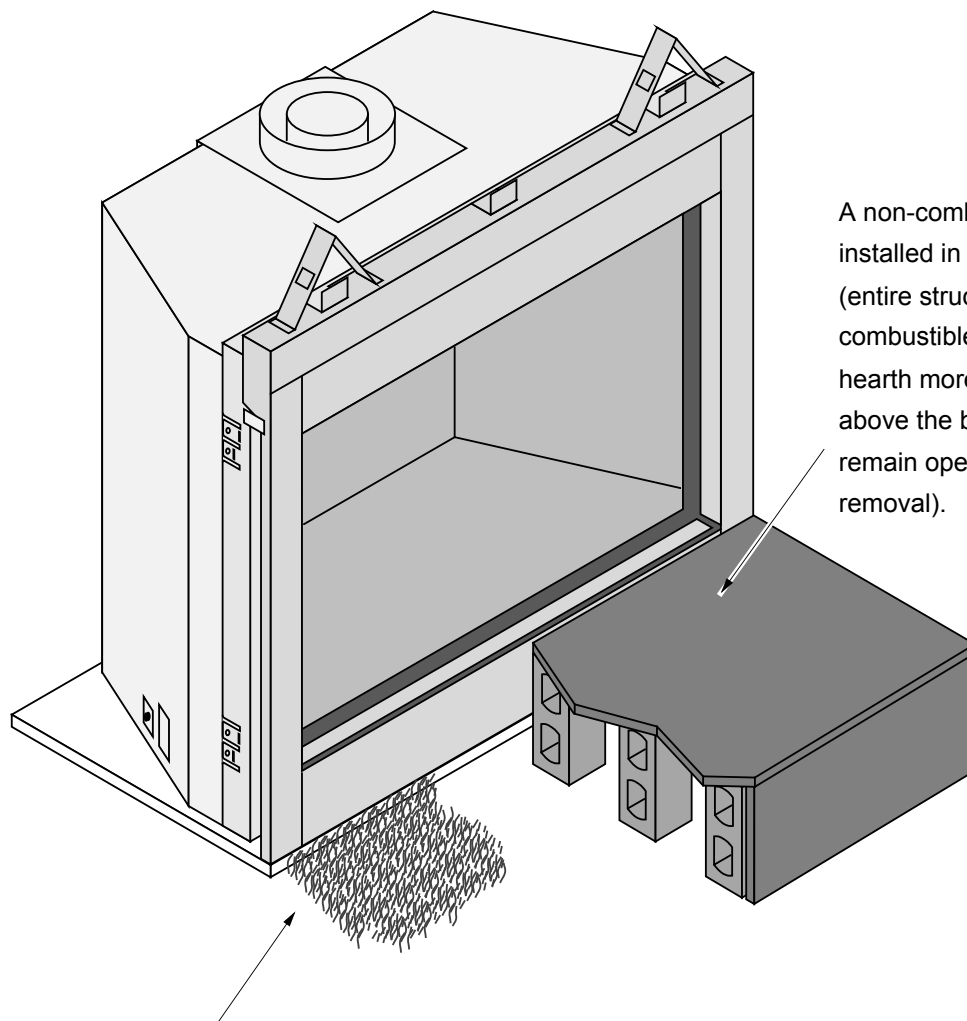
- A Minimum 9" (229mm) clearance from any door or window
- B Minimum 12" (305mm) above any grade, veranda, porch, deck or balcony
- C Minimum 1" (25mm) from outside corner walls  
**NOTE:** Clearance in accordance with local installation codes and the requirements of the gas supplier.
- D Minimum 1" (25mm) from inside corner walls  
**NOTE:** Clearance in accordance with local installation codes and the requirements of the gas supplier.
- E Minimum 11" (279mm) clearance below unventilated soffits or roof surfaces  
 Minimum 18" (457mm) clearance below ventilated soffits  
 Minimum 6" (152mm) clearance below roof eaves  
**NOTE:** Vinyl surfaces require 24" (610mm)  
**NOTE:** Clearance in accordance with local installation codes and the requirements of the gas supplier.
- F Minimum 12" (305mm) clearance below a veranda, porch, deck or balcony  
**NOTE:** Permitted only if veranda, porch, deck, or balcony is fully open on a minimum of two sides beneath the floor.  
**NOTE:** Clearance in accordance with local installation codes and the requirements of the gas supplier.
- G Minimum 48" (1219mm) clearance from any adjacent building
- H Minimum 84" (2134mm) clearance above any grade when adjacent to public walkways or driveways  
**NOTE:** may not be used over a walkway or driveway shared by an adjacent building
- I Minimum 9" (229mm) clearance to any nonmechanical air supply inlet to the building or the combustion air inlet to any other appliance.
- J Minimum 36" (914mm) clearance above any mechanical air supply inlet if within 10' (3M) horizontally
- K Minimum 36" (914mm) from the area above the meter/regulator (vent outlet) - this extends 15' (4.5M) above the regulator  
**NOTE:** Clearance in accordance with local installation codes and the requirements of the gas supplier.
- L Minimum 36" (914mm) from the meter/regulator (vent outlet)  
**NOTE:** Clearance in accordance with local installation codes and the requirements of the gas supplier.
- M Minimum 12" (305mm) above the roof line (for vertical terminations)
- N Minimum 24" (610mm) horizontal clearance to any surface (such as an exterior wall) – for vertical terminations



**NOTE: Measure clearances to the nearest edge of the exhaust hood.**

- Use the vinyl siding standoff when installing on an exterior with vinyl siding.
- Vent termination must not be located where it will become plugged by snow or other material

## Hearth Requirements



A non-combustible hearth may be installed in front of the fireplace (entire structure must be non-combustible). Do not build the hearth more than 5.75" (147mm) above the baseplate (this area must remain open for screen and glass removal).

If installed near carpet or other combustible flooring, the fireplace must be raised so the base of the unit is above the carpet surface or flooring material.

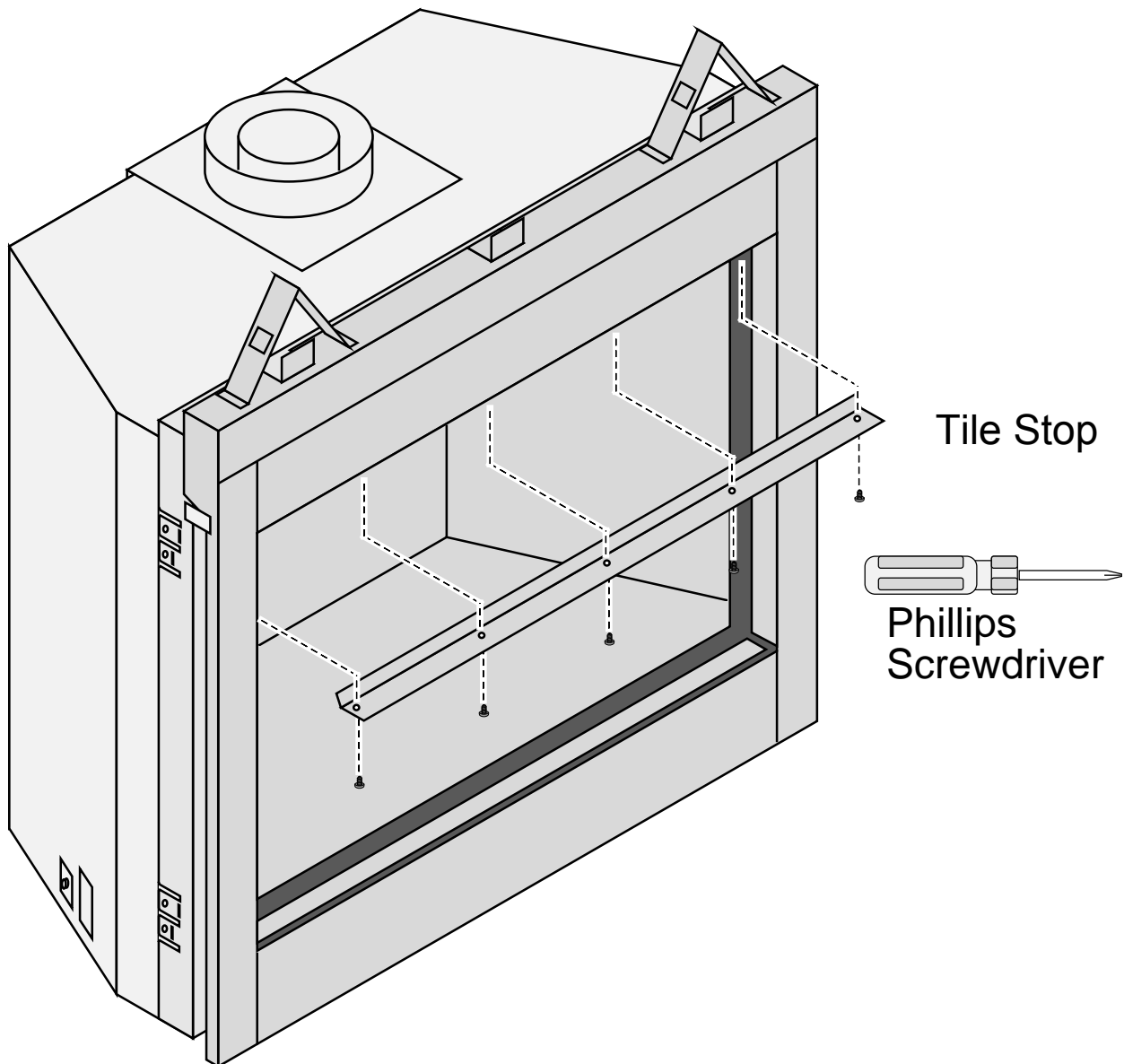
**WARNING:**

A non-combustible hearth is not required. However, if the heater is installed next to the floor, we recommend a hearth to protect the flooring surface from discoloration or other negative impact from the heater.

**Optional Tile Stop Removal**

- This fireplace includes an optional tile stop above the glass frame. It is typically removed if the front of the fireplace is left exposed. If using tile or other non-combustible facing over the front of the fireplace, the tile stop is left in place to help support the facing. See the illustration below for details on removal.

**After removing the tile stop, make sure to replace the screws.**





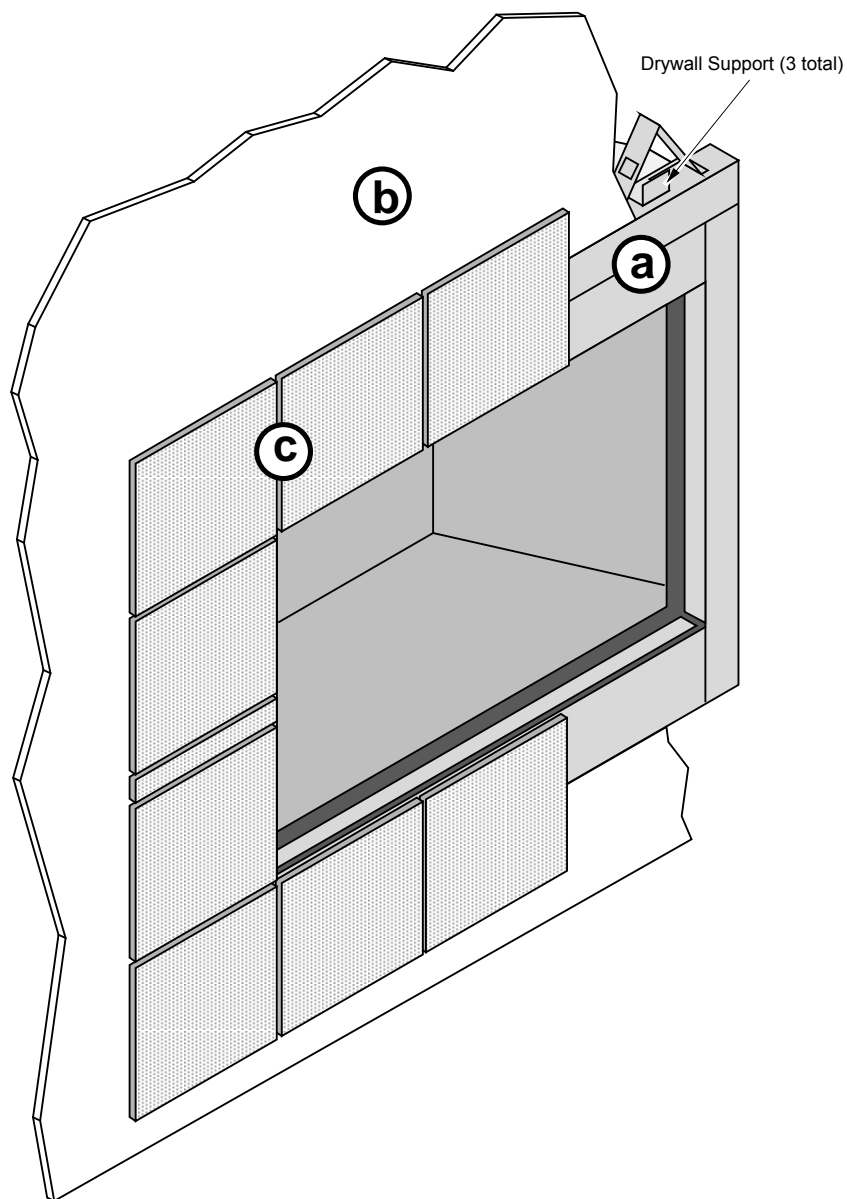
## Facing Requirements

- The front of fireplace may be left uncovered (see “a” below).
- Drywall (or other combustible) may be placed above, below, and to the sides of the fireplace (not over the front of the fireplace (see “b” below).
- Tile or other non-combustible facing may be placed along the front of the fireplace around the perimeter of the glass opening (see “c” below). Typical installations use 12” (305mm) or greater of non-combustible facing around the perimeter of the glass opening. Do not install facing over the ledge to the glass opening.



**WARNING:** Do not use adhesive to secure the facing. The high temperatures of the fireplace may cause adhesives to emit odors. Use mastic or thin set (or other non-combustible, non-odorous adherent) to attach the facing.

**NOTE:** Screws may be used to secure cement board or tile backer to the fireplace. Do not penetrate the fireplace more than 1/2” (13mm).

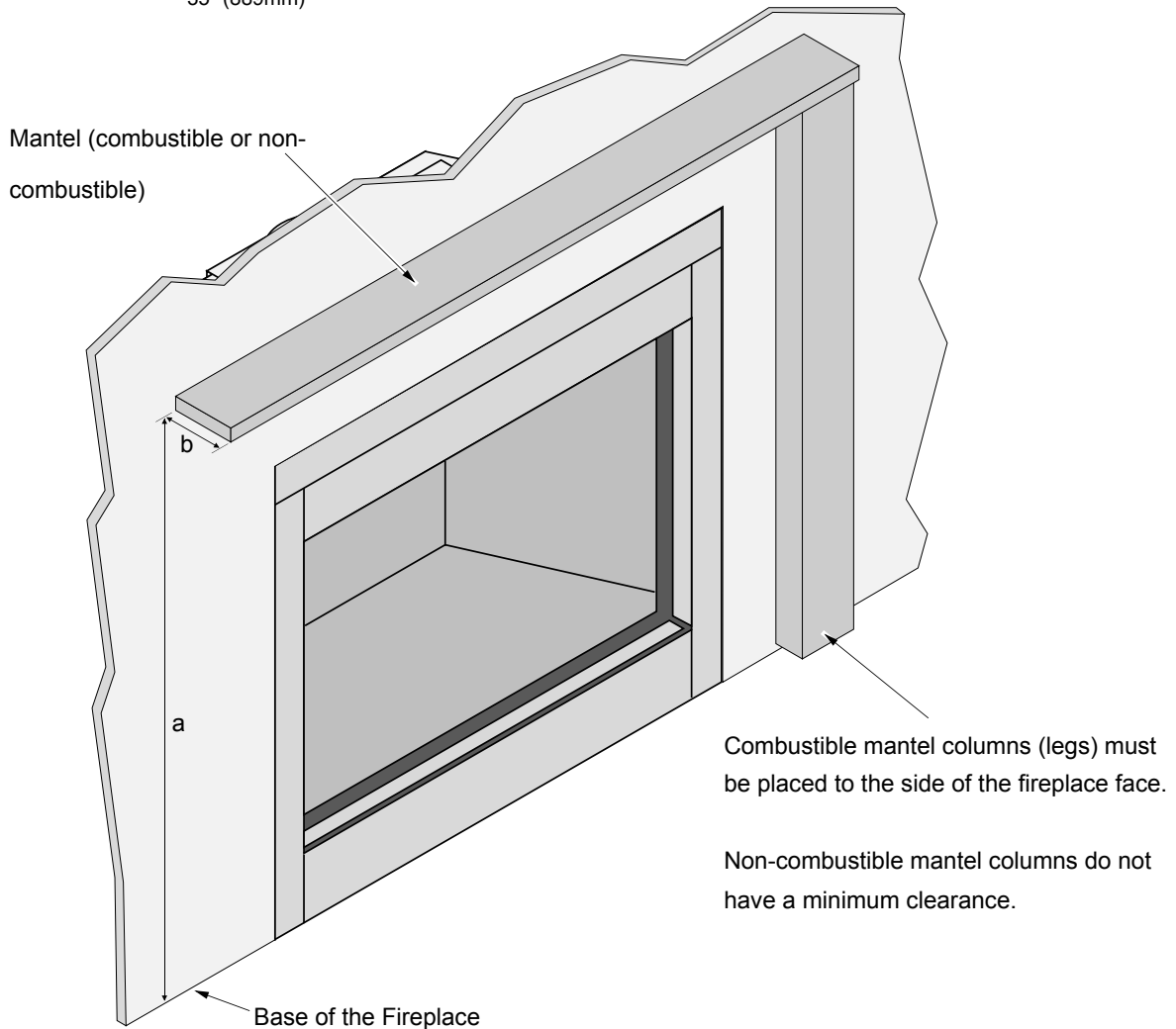


**Mantel Requirements**

- Use the table below to determine the maximum mantel depth allowed. The mantel depth (measured from the face of the fireplace) must fall in the shaded portion of the table.
- Any material that protrudes more than 3/4" (19mm) from the non-combustible facing is considered a mantel and must meet the mantel requirements.

Maximum Mantel Depth (b)

Mantel Height Above Base of Fireplace (a)	Maximum Mantel Depth (b)											
	0" (0mm)	1" (25mm)	2" (51mm)	3" (76mm)	4" (102mm)	5" (127mm)	6" (152mm)	7" (178mm)	8" (203mm)	9" (229mm)	10" (254mm)	11" (279mm)
42"+ (1067mm)												
41" (1042mm)												
40" (1016mm)												
39" (991mm)												
38" (965mm)												
37" (940mm)												
36" (914mm)												
35" (889mm)												



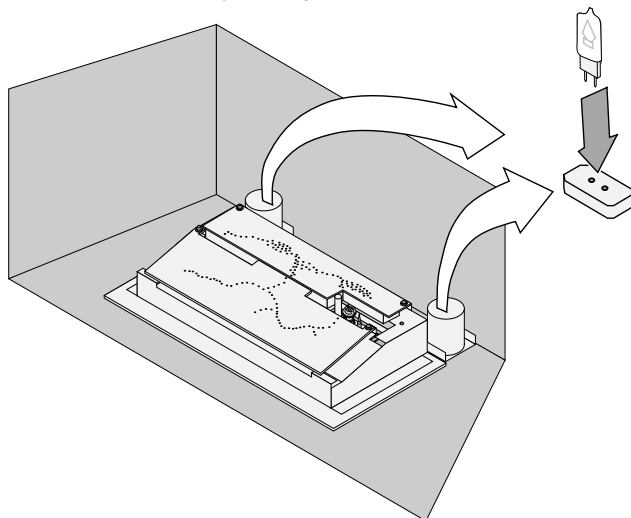
**Steps for Finalizing the Installation**

1. Remove the glass (see page 38).

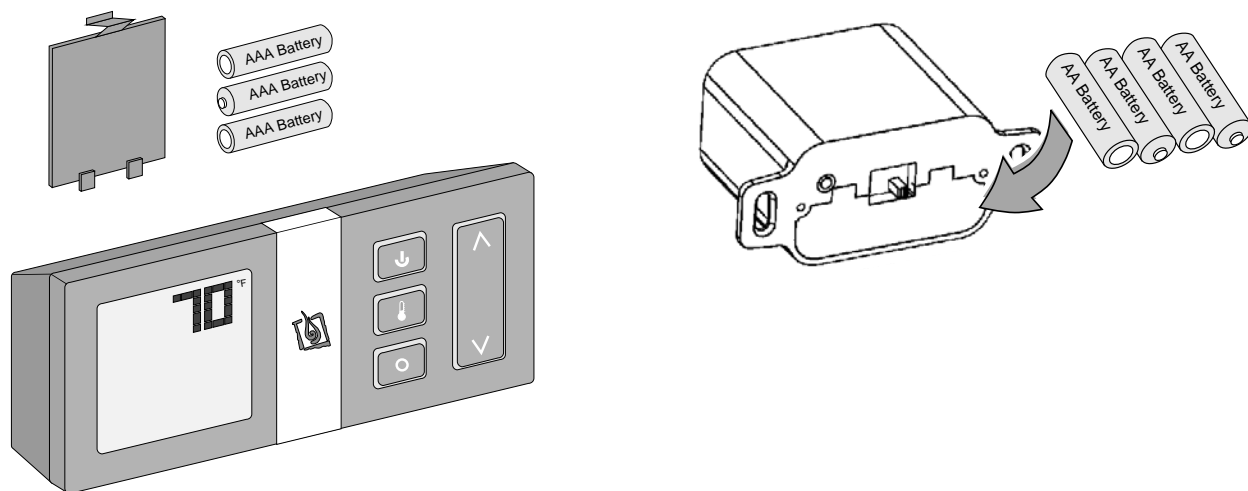
**NOTE:** If using propane (LP) convert the appliance prior to installing the logs.

2. We recommend you purge the gas line at this time (with the glass removed). This allows gas to be detected once it enters the firebox, ensuring gas does not build up.
3. Make sure the two accent light bulbs are in place.

**NOTE:** Take care to not touch the bulb with your fingers (use a cloth or paper towel).



4. Install the four AA batteries (see illustration below). The AA batteries act as a power backup in case the household (AC) power goes out and are required for operation. Install three AAA batteries into the remote (see illustration below). Synchronize the transmitter to the IFC.



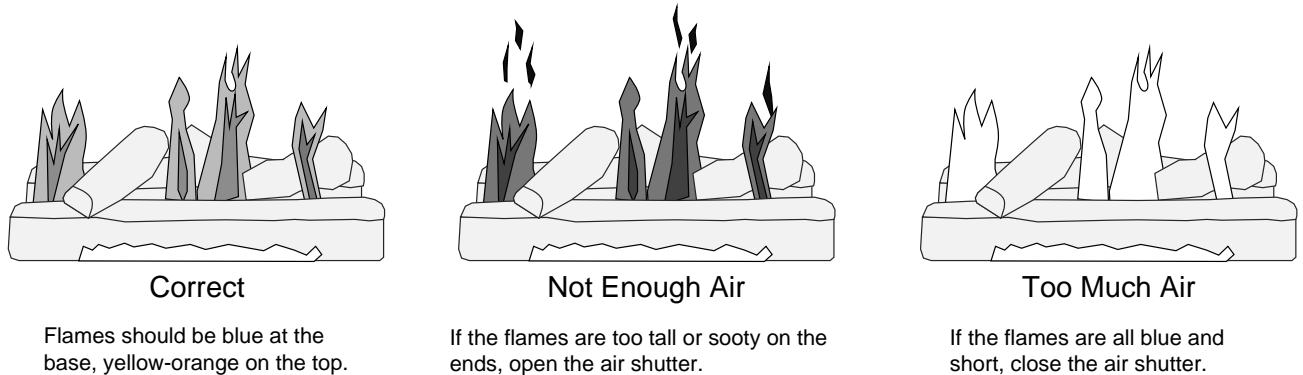
5. Install the logs (see page 39).
6. Replace the glass.
7. Start the heater.
8. Leak test all gas joints.

## 36 Finalizing the Installation (for qualified installers only)

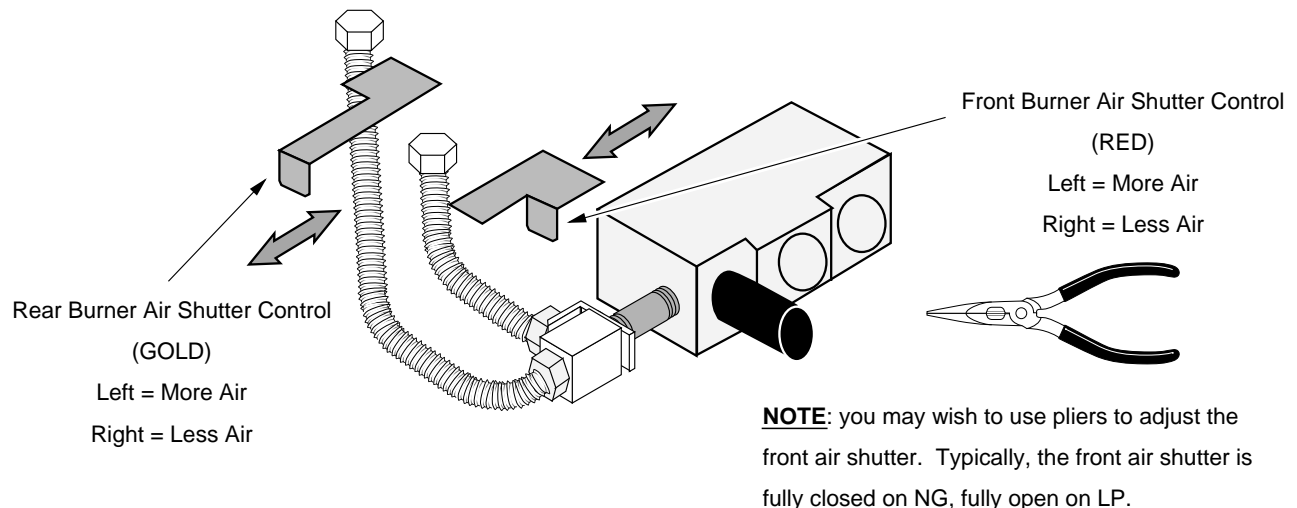
9. Check the air shutter following the directions below.

### Air Shutter Adjustment

Let the heater burn for fifteen minutes (make sure the logs and glass are in place). The flames should be yellow with no sooting. Adjust the air shutter, if necessary, to achieve the correct looking flame.



### Air Shutter Adjustment



10. Adjust the flame to its highest position - the flames should not contact the top of the firebox. Check the flame on low position. The flames should burn off of each burner hole. If the heater does not work correctly, contact your Travis dealer for a remedy.

11. Give this manual to the home owner for future reference and fully explain operation of this heater. For comprehensive operating and maintenance instructions, refer to the Owner's Manual (part # 100-01379).

**ACID WASH WARNING:** Before installing the faceplate, make sure any masonry that has been treated with acid wash has been properly neutralized (this is used primarily with brick faces). Acid wash (muriatic acid) is used to remove excess mortar. If not properly neutralized with an ammonia solution, the plated face may develop a permanent tarnish when the acid evaporates over time. Contact your dealer if uncertain your facing has been properly neutralized.

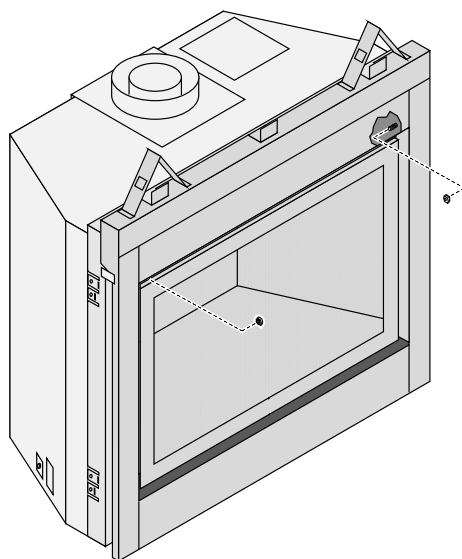
## Barrier Removal



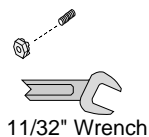
A barrier designed to reduce the risk of burns from the hot viewing glass is provided with this appliance and shall be installed for the protection of children and other at-risk individuals.



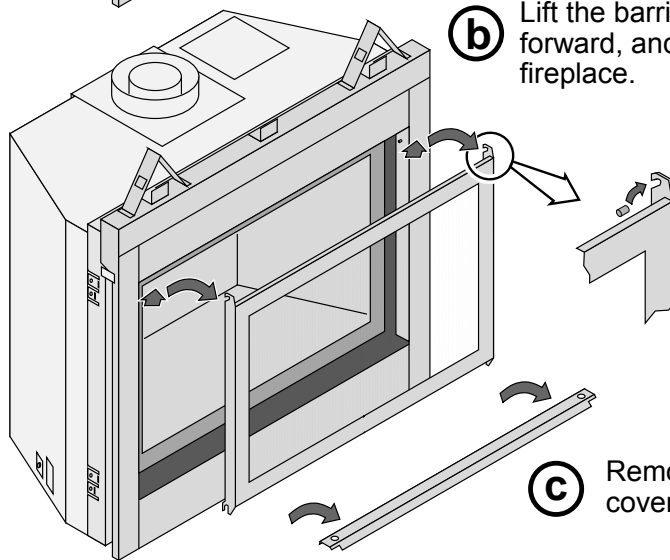
If the barrier becomes damaged, the barrier shall be replaced with the manufacturer's barrier for this appliance.



**a** Remove and discard the two nuts used to secure the barrier during shipping.



1 1/32" Wrench

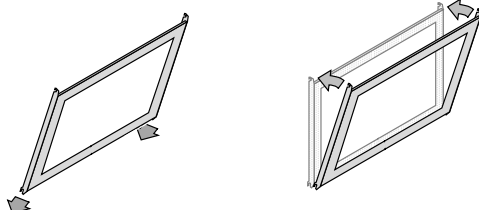


**b** Lift the barrier up, pivot the top forward, and remove from the fireplace.

**c** Remove the concealment cover.



**HINT FOR REPLACING THE BARRIER:** Hold the barrier at an angle and insert the bottom slots first. Then pivot the barrier forward to engage the top hooks.



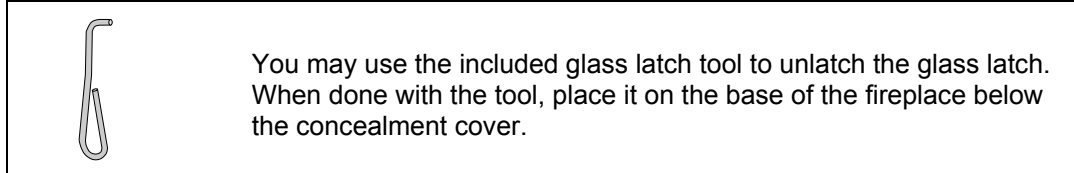
## 38 Finalizing the Installation (for qualified installers only)

### Glass Frame Removal

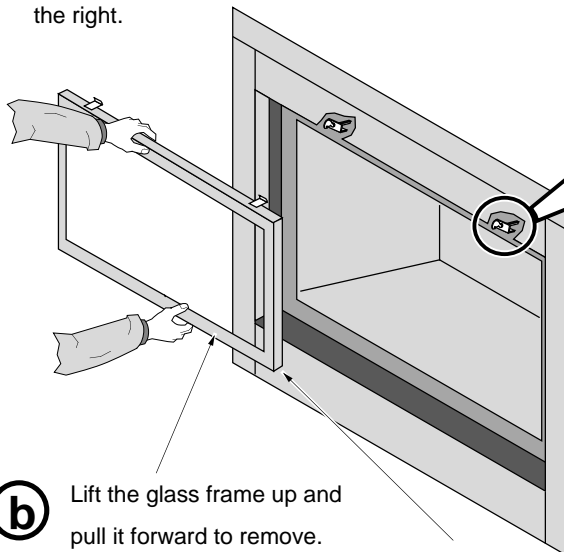
**Warning:** The appliance must be completely cool before removing the glass.

**Warning:** Do not strike or slam the glass.

**Note:** Remove the barrier before removing the glass (see previous page).  
Replace barrier after replacing the glass.



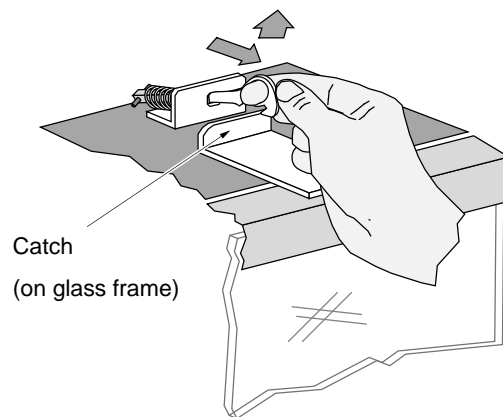
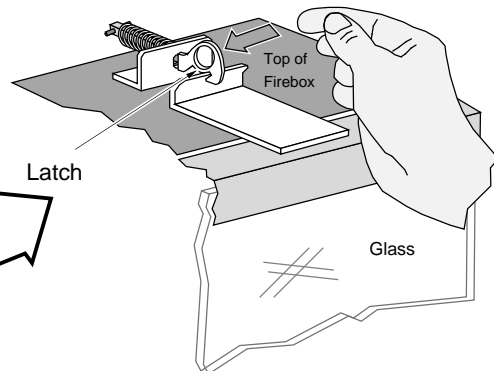
- a** Open the four latches holding the glass frame in place (start with the bottom two) - follow the directions shown to the right.



- b** Lift the glass frame up and pull it forward to remove.

**NOTE:**

You may need to lift the glass frame while re-attaching.



**Re-Attaching the Glass Frame:**

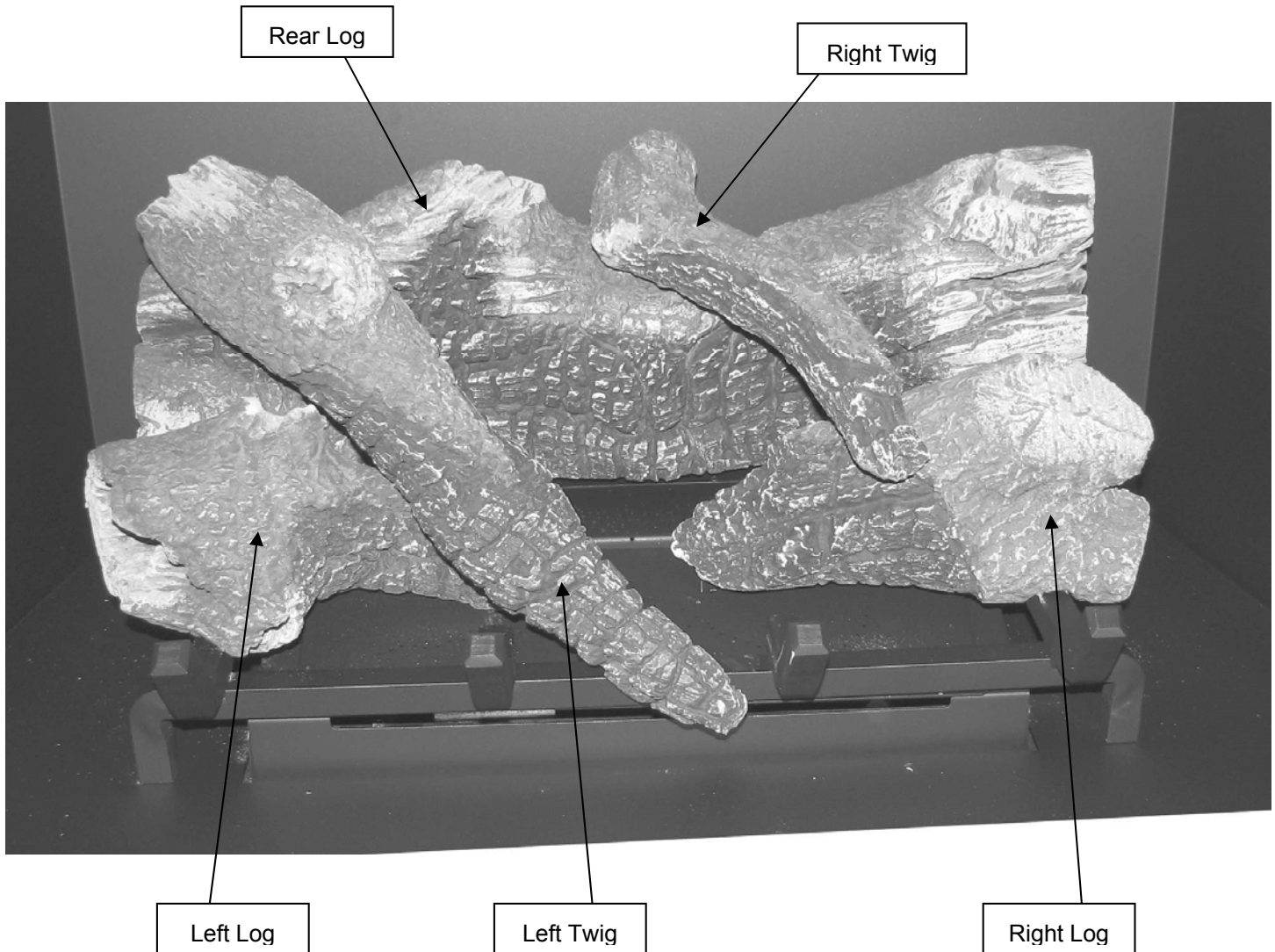
- Hang the glass frame on the firebox.
- While holding in place, attach the upper latches (follow the instructions above in reverse).
- Lift the glass frame slightly and attach the lower latches.

**NOTE:** Make sure the glass frame is all the way in place - it should be flush with the front of the fireplace when installed.

## Log Set Installation

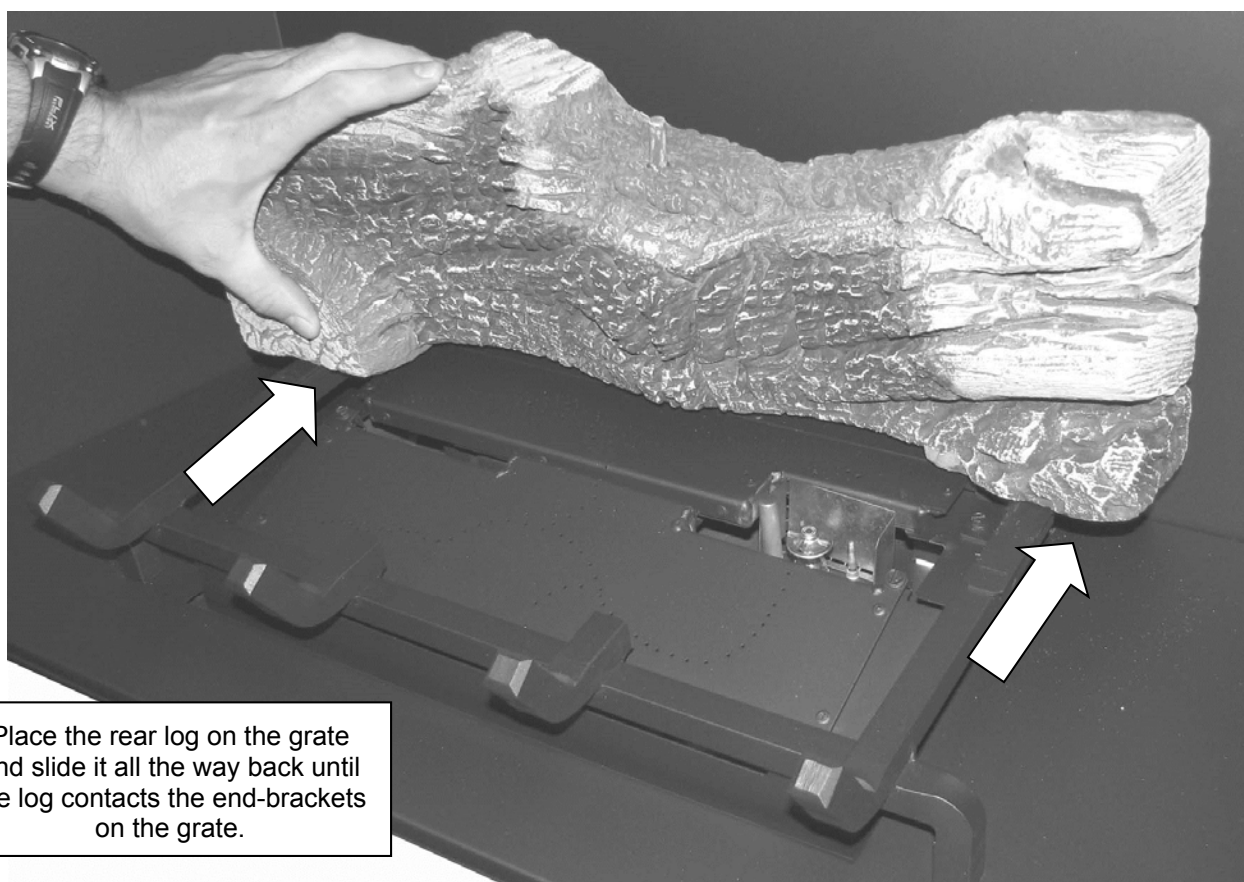
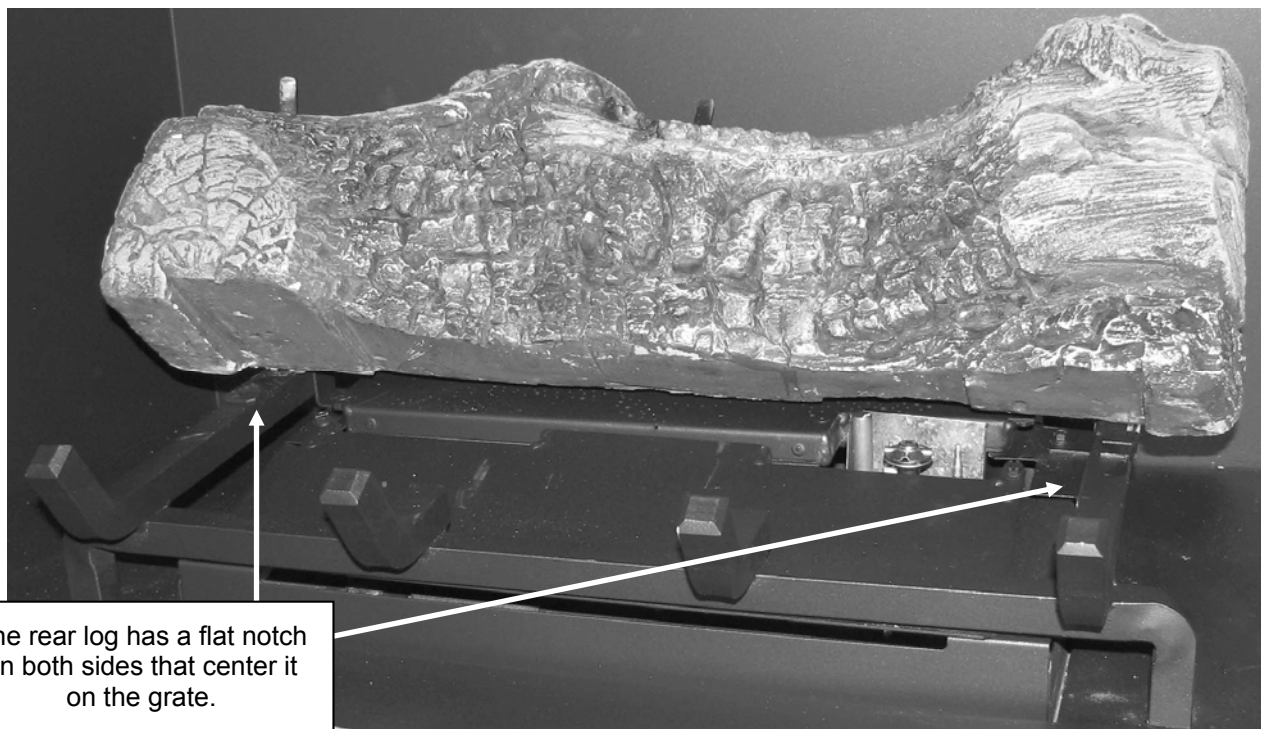
### Log Set Overview

When installed, the logs should appear as shown below.



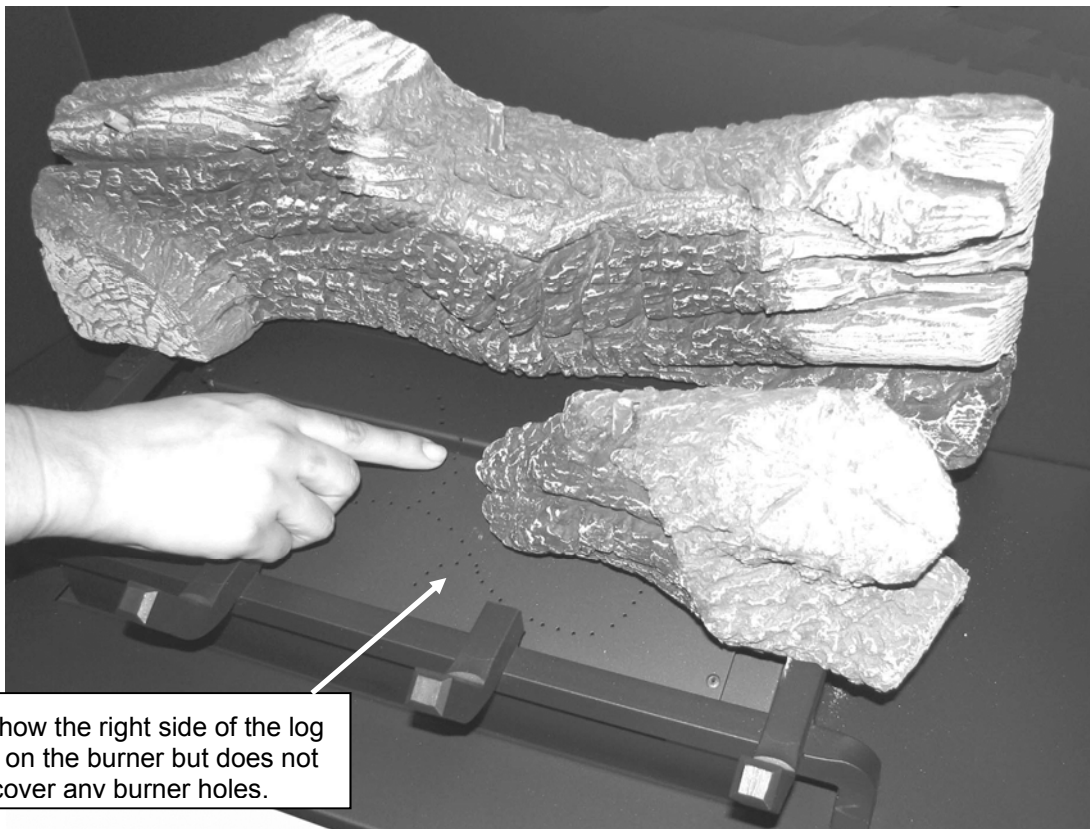
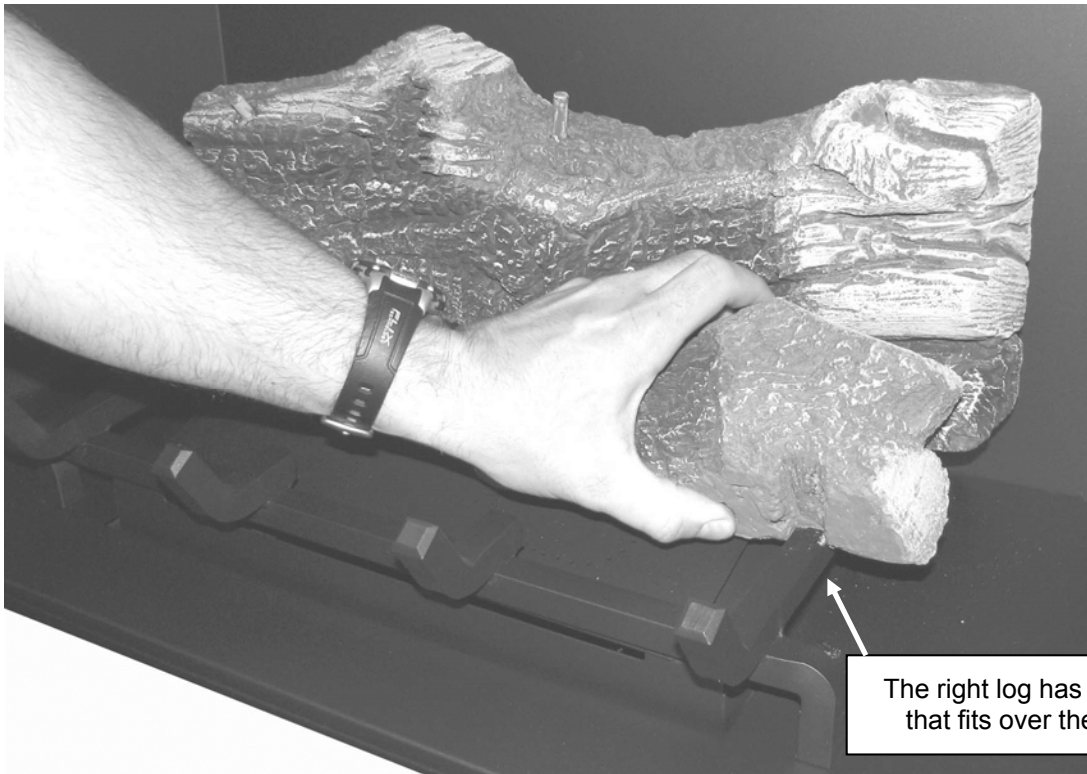
## 40 Finalizing the Installation (for qualified installers only)

### Rear Log Installation



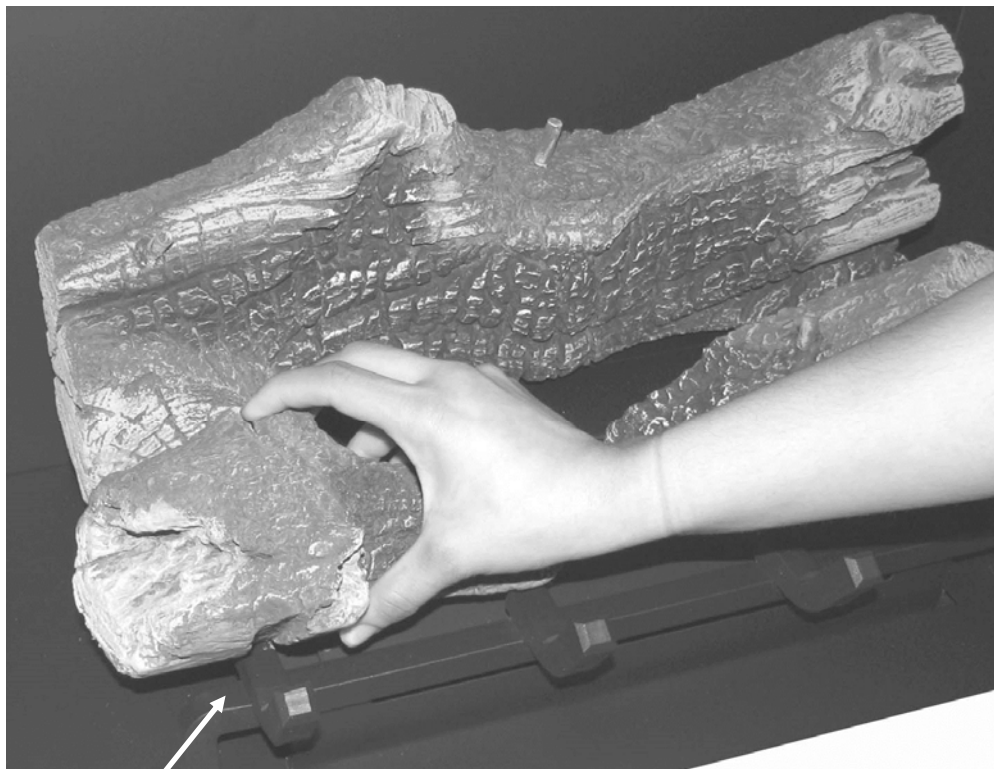


## Right Log Installation

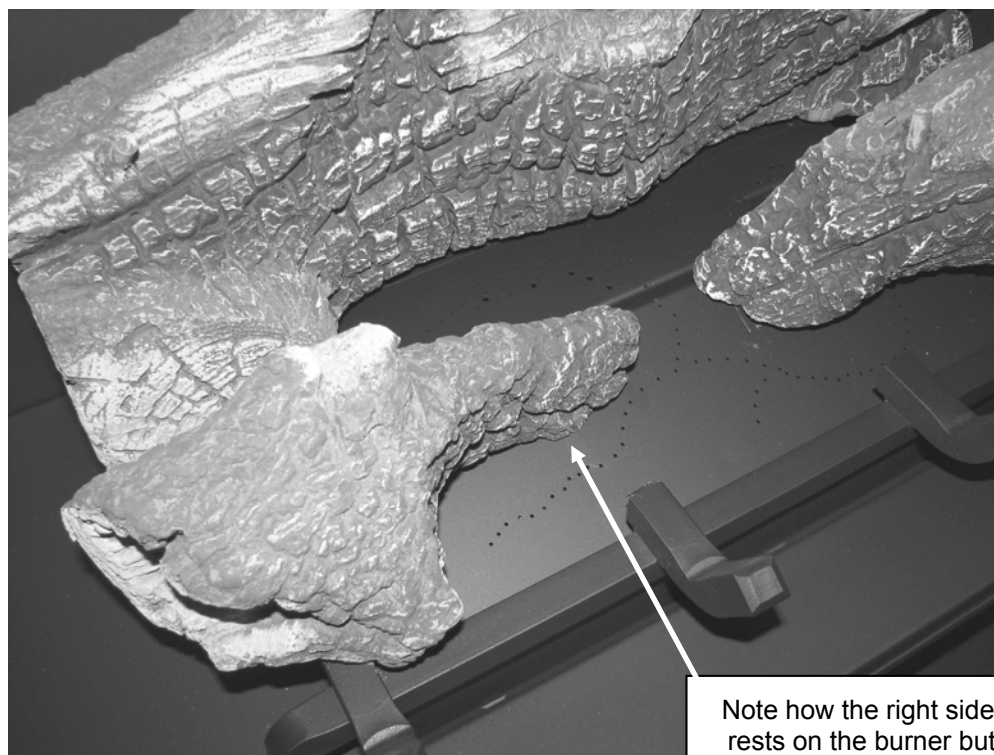


## 42 Finalizing the Installation (for qualified installers only)

### Left Log Installation

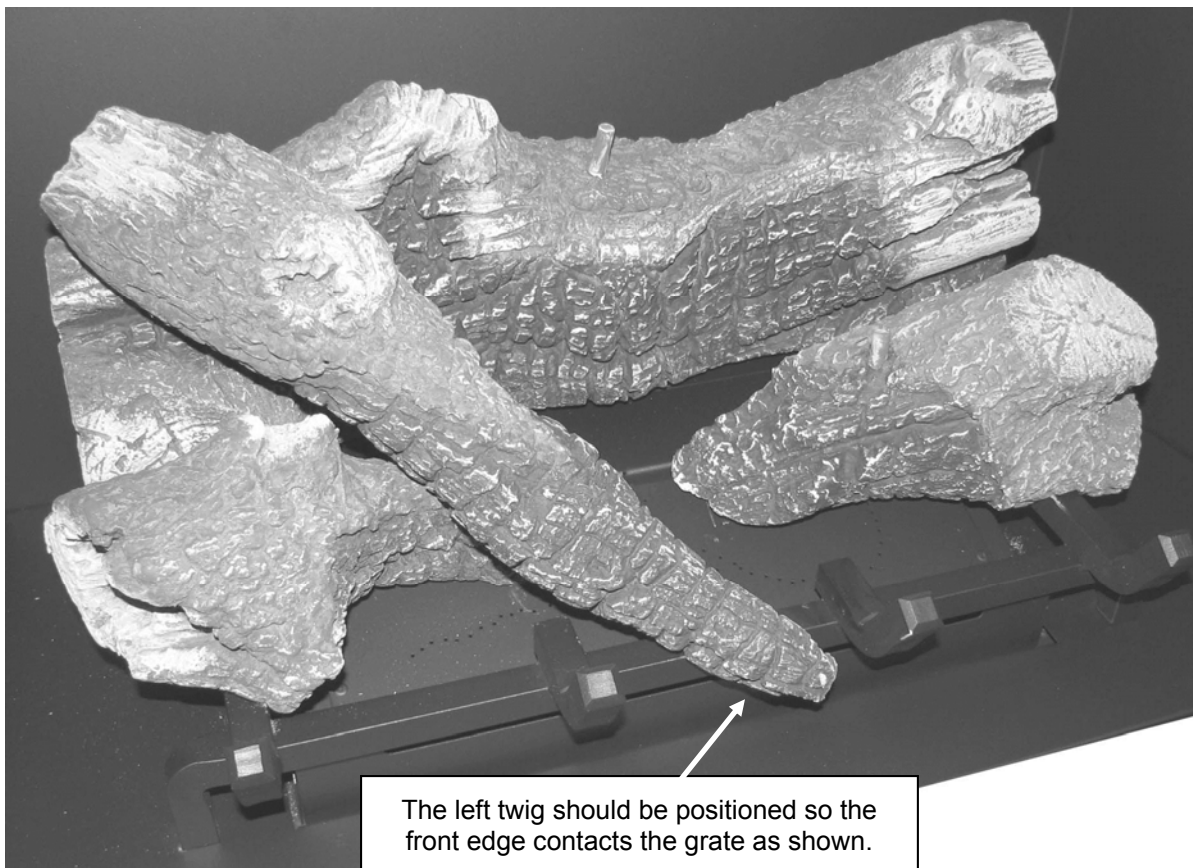
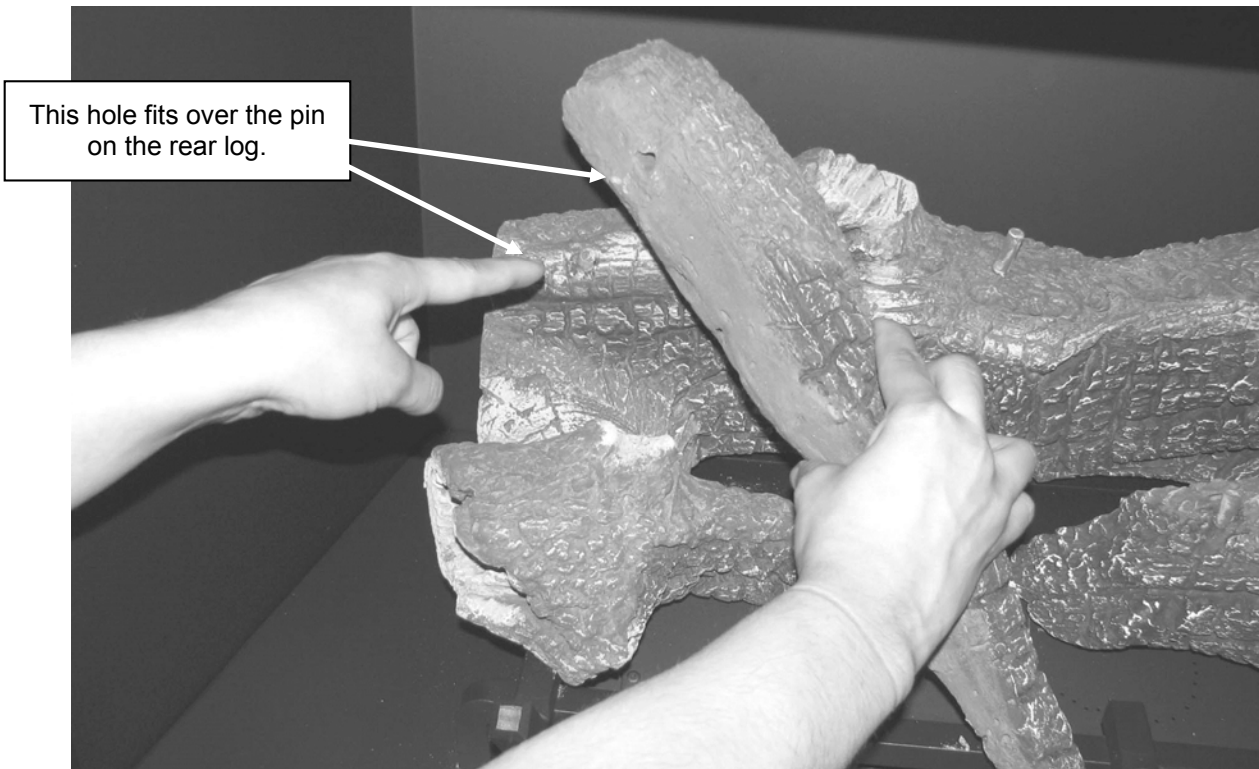


The left log has a groove that fits over the grate.



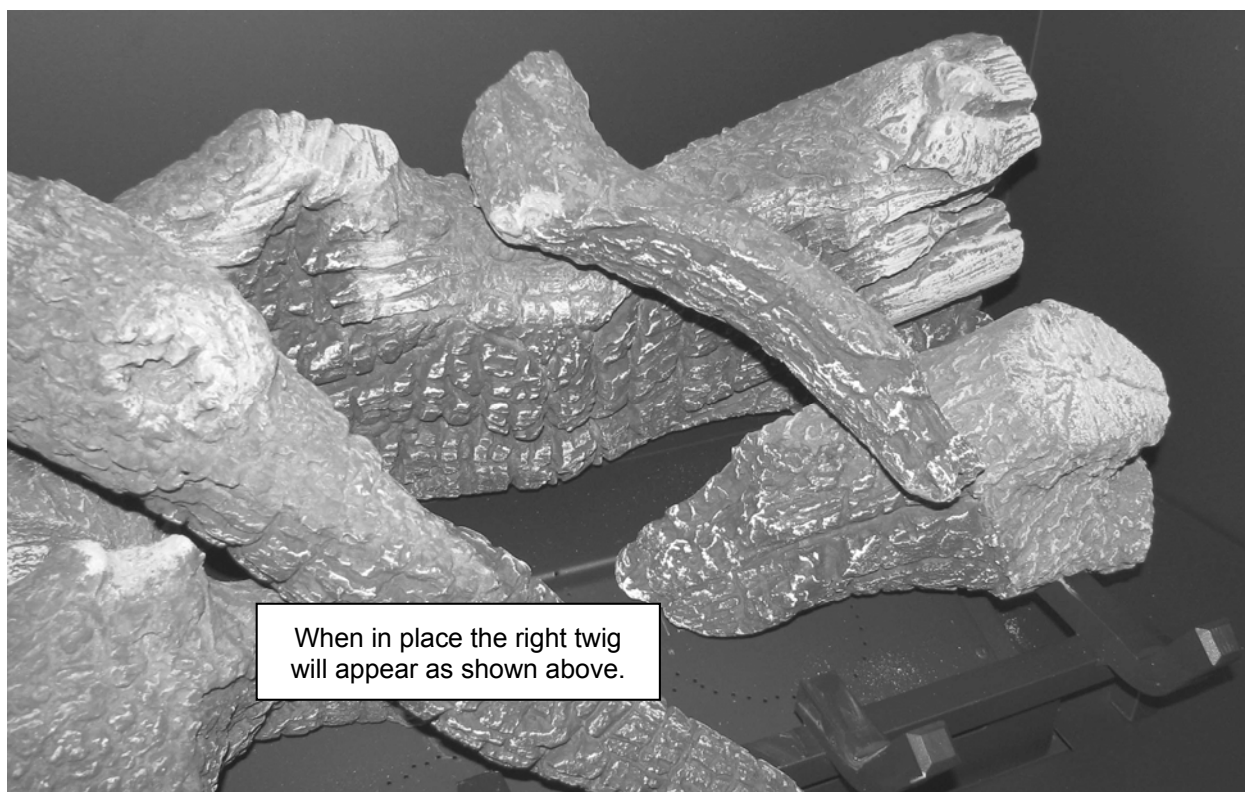
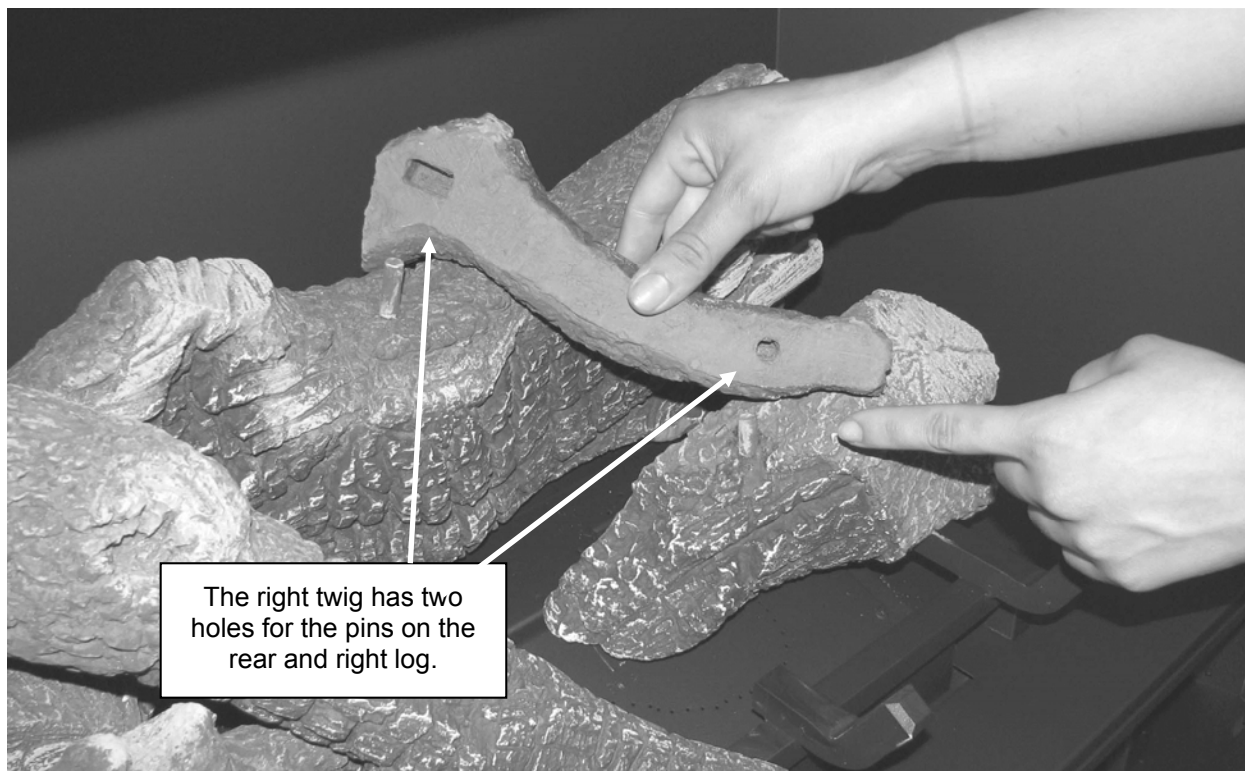
Note how the right side of the log rests on the burner but does not cover any burner holes.

## Left Twig Installation



## 44 Finalizing the Installation (for qualified installers only)

### Right Twig Installation



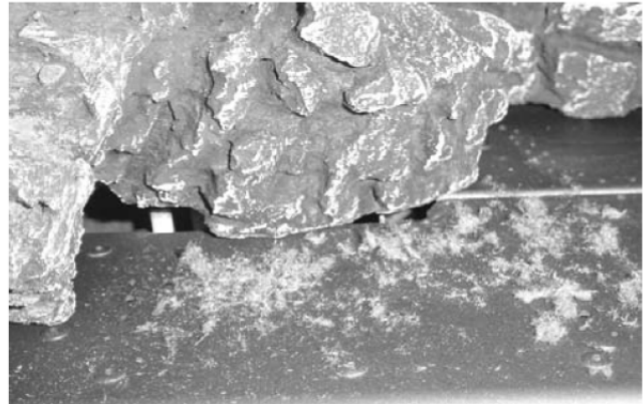
## Ember Installation

A bag of embers is provided to further enhance the firebox. Place the embers on the firebox floor and on the burner. Do not place embers over any of the burner holes or air channels.



## Rock Wool Placement

The included rock wool is placed on top of the burner to enhance the glow from the burner. **The rock wool works best when it is applied in a very thin, porous layer.** The best method for applying the rock wool is to brush it on to the burner. Compress a clump of rockwool between your thumb and forefinger. Use a stiff brush to apply a thin layer of rockwool fibers onto the burner. Do not use the entire bag of rockwool. Use only a small amount and save the remainder. Over-use of rockwool will diminish the glow and may cause sooting or other adverse conditions.



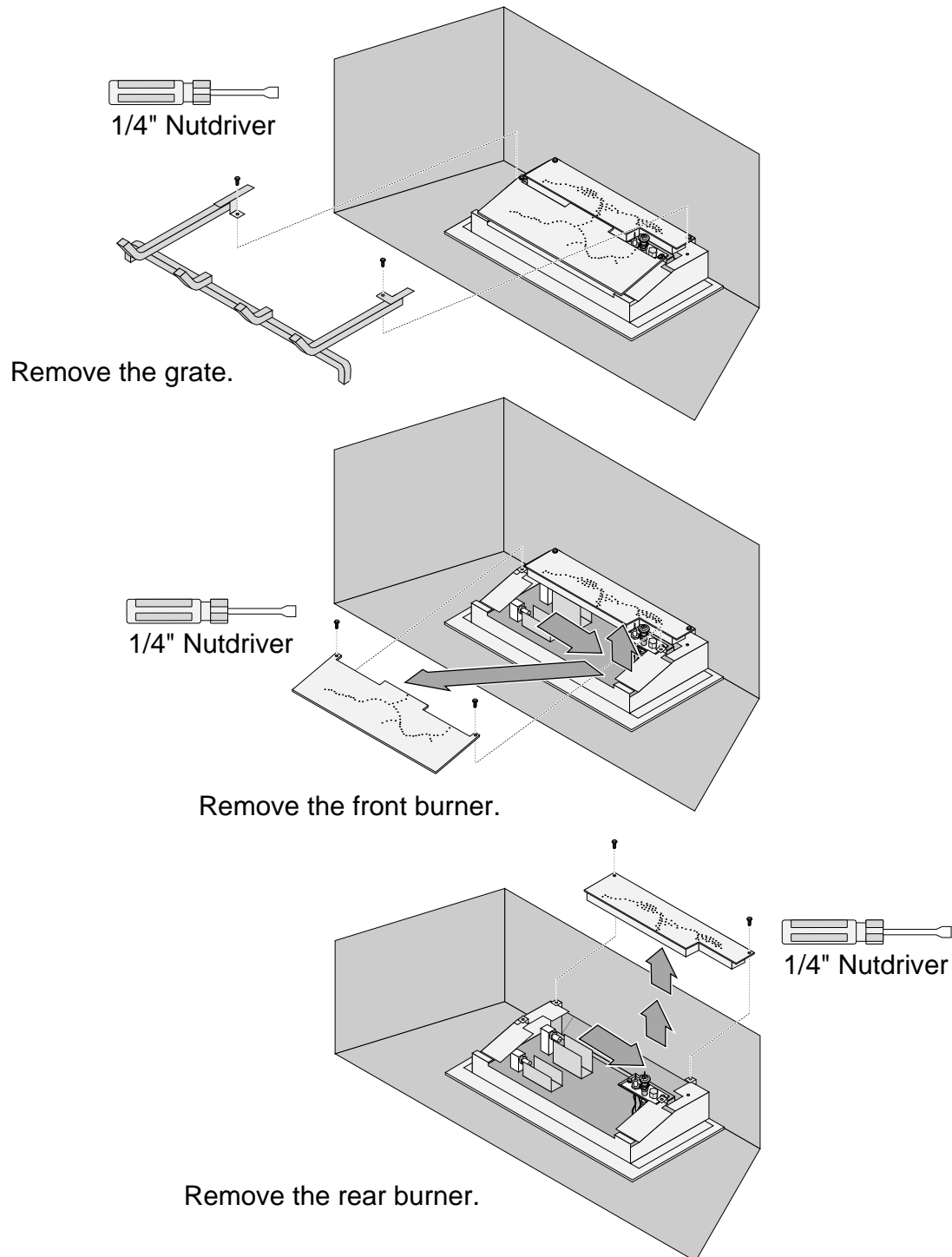
## 46 Finalizing the Installation (for qualified installers only)

### LP Conversion Instructions

**Install the conversion kit prior to installing the gas line to ensure proper gas use.**

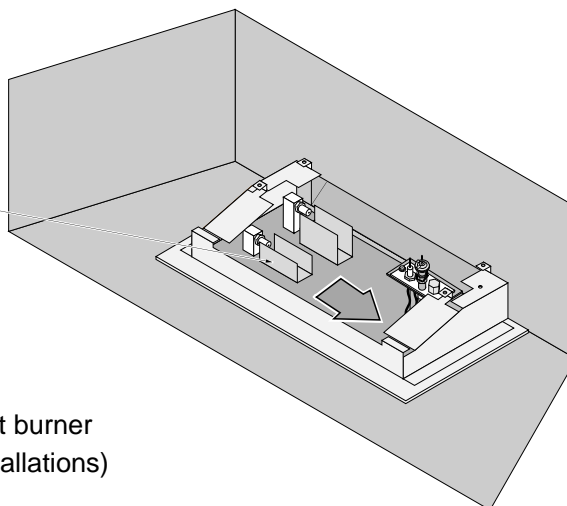
The GSR Stepper Motor Kit (SKU 94400999) is required for converting this appliance to LP. The kit contains the stepper motor (regulator) and torx wrench. The burner orifices and burner gaskets are shipped with the appliance.

- 1 Remove the glass (see page 38). Remove the logs and embers (if installed - page 39)
- 2 Remove the burner (see illustration below)

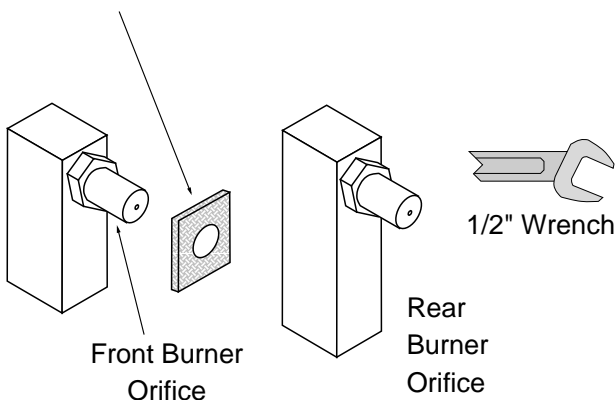


3 Follow the directions below to replace the orifice.

(a) Slide the air shutters all the way to the right.



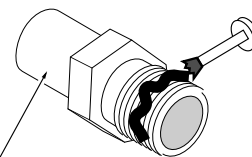
(b) Remove and discard the front burner gasket (used only for NG installations)



(c) Use a 1/2" open end wrench to unscrew the two orifices.

(d)

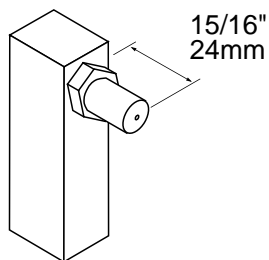
Apply thread sealant to the LP orifices prior to installation. Use the chart below to identify the correct orifices.



Look here for the orifice identification

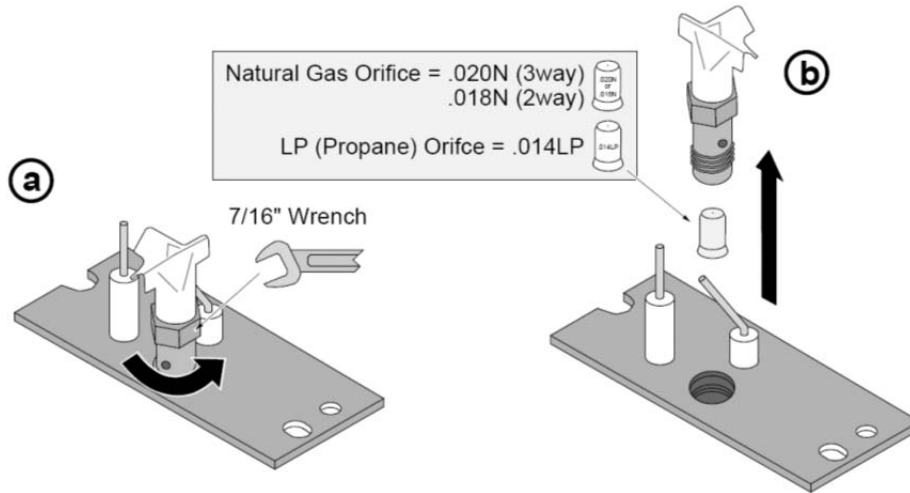
	NG	LP
Front	#56	#67
Rear	#50	1.1

(e) Screw each LP orifice in so the orifice protrudes 15/16" (24mm) (indicating full insertion).



## 48 Finalizing the Installation (for qualified installers only)

- 4 Install the LP pilot orifice following the instructions below.
  - (a) Use a 7/16" open-end wrench to remove the pilot hood.
  - (b) Remove and discard the Natural Gas (NG) orifice. Place the LP orifice in the pilot assembly then replace the pilot hood, tightening the pilot hood until it is snug (do not over-tighten).



- 5 **Replace the firebox components.** Install the logs and embers. Replace the glass.
- 6 Remove the control panel to access the gas control valve. The stepper motor (adjustable regulator) has an installation sheet included with it – make sure to follow all of the directions. Place the stepper motor on the gas control valve (see Figure 1) – **MAKE SURE IT IS CORRECTLY ORIENTED**. Secure using the screws included with the motor (see Figure 2) – tighten to 25 Lb-inches. Leak test this area after installation to verify proper installation.

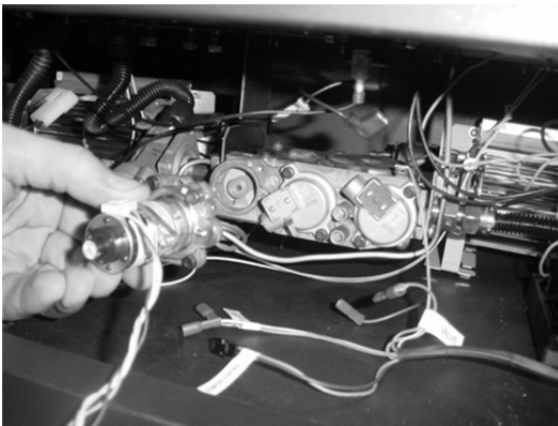


Figure 1

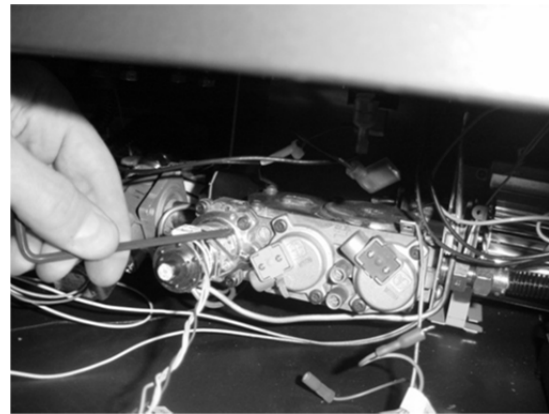


Figure 2

- 7 Make the gas line connection, bleed the gas line (if applicable), start the heater and thoroughly leak-test all gas connections and the gas control valve.

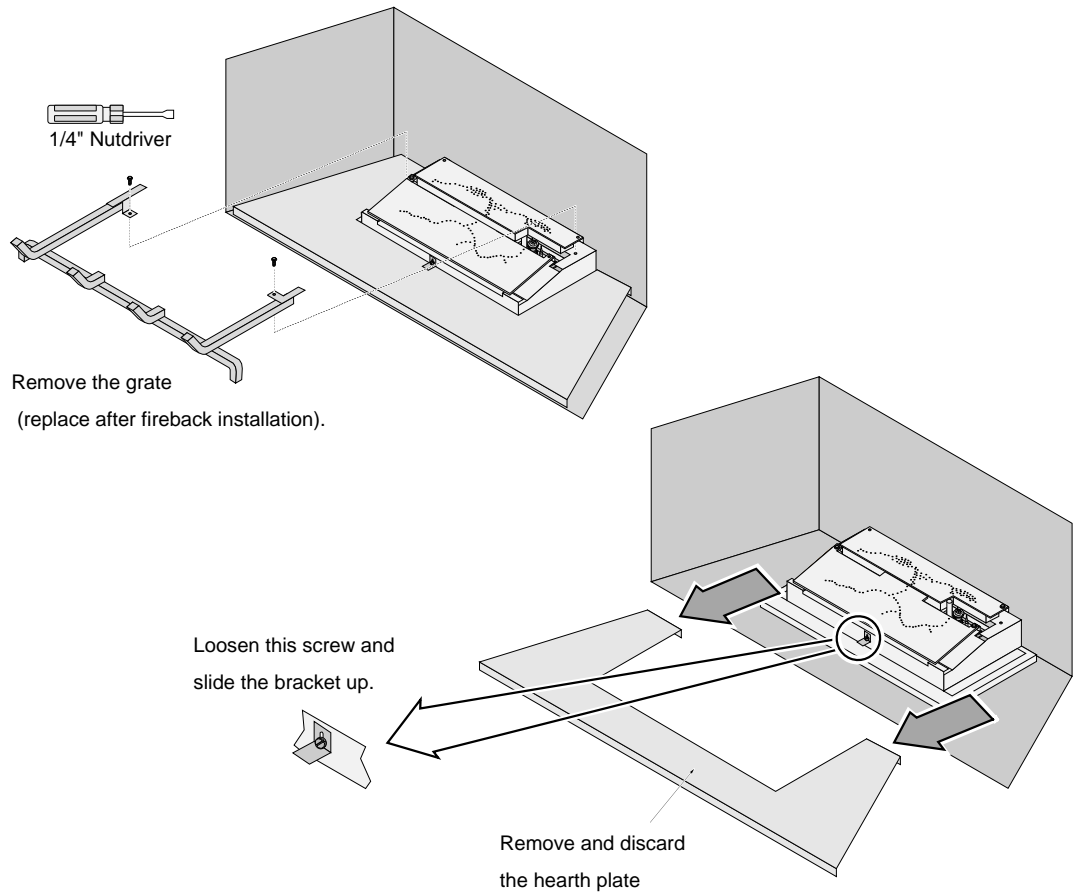


## Fireback Installation (Optional)

**WARNING**

Turn off gas to the appliance and make sure it has fully cooled prior to conducting service.

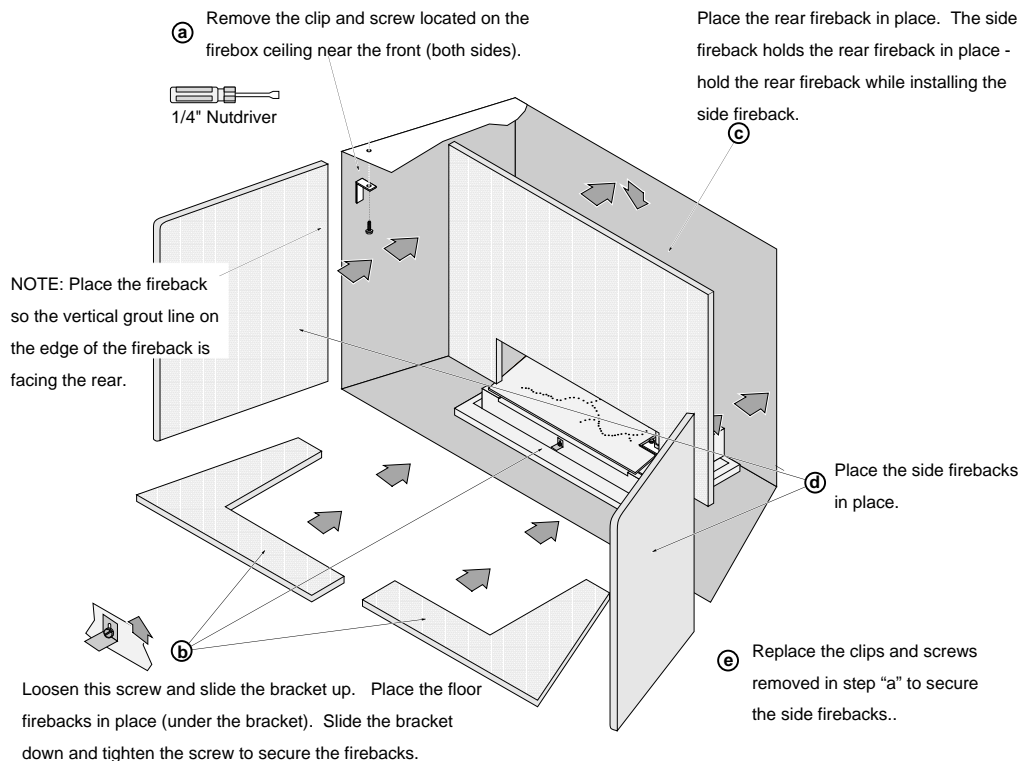
- 1 Remove the glass frame and logs.
- 2 Remove the grate (replace after fireback installation). Remove and discard the hearth plate.
- 3 Install the firebacks following the directions below. Select either the straight brick or herringbone brick pattern to face outwards.



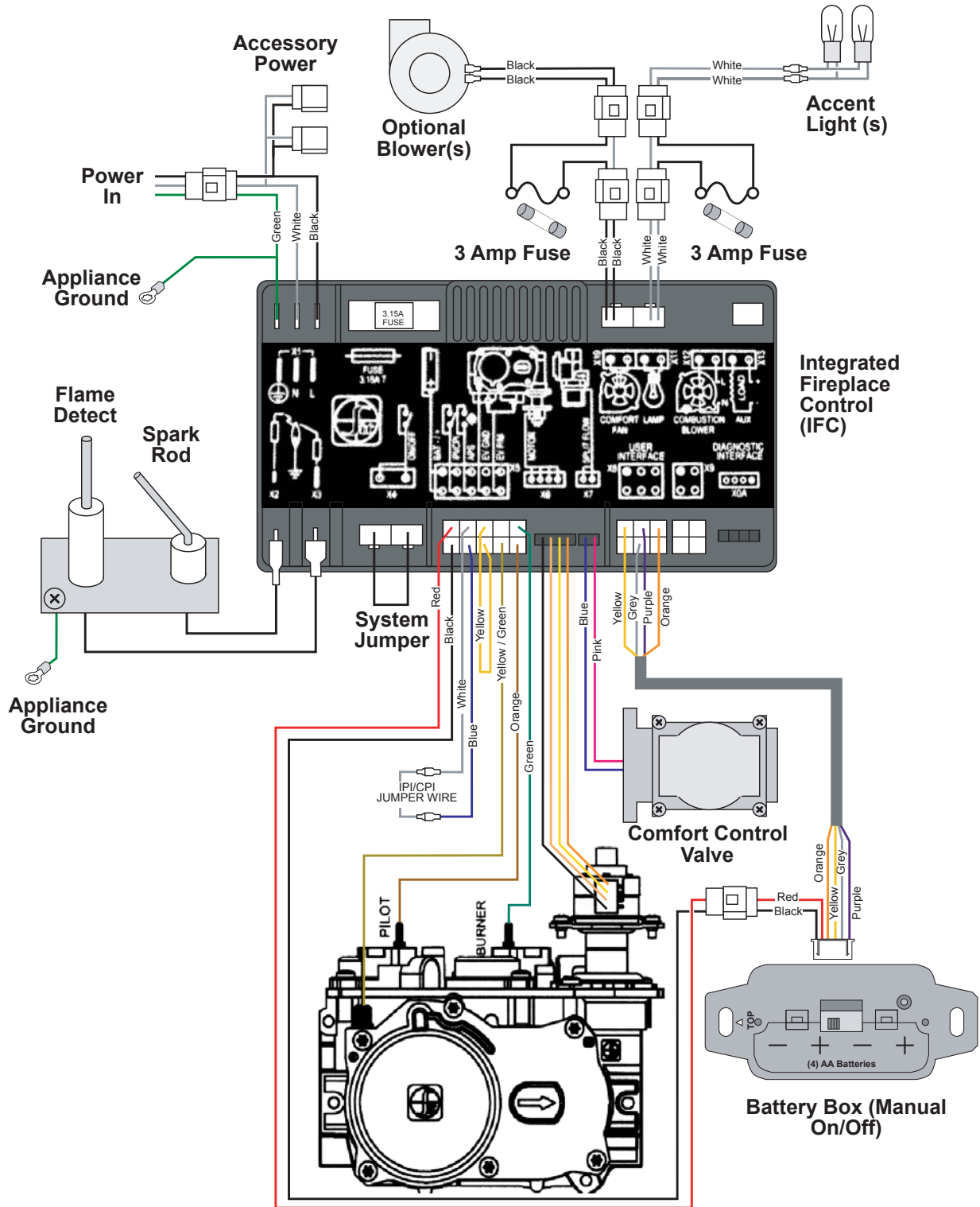
**NOTE:**

Due to the construction of the ceramic firebacks, you may need to reposition the firebacks to achieve the correct alignment.

- 4 Restore the fireplace to the correct configuration.



Wiring Diagram





**Index**

Accessing the Area Under the Burner .....	19	Rear Vent Configuration with Horizontal Termination (with vertical rise) .....	26
Additional Items Required .....	7	Rear Vent Configuration with Vertical Termination .....	27
Approved Vent Configurations .....	22	Recommended Installation Procedure .....	7
Barrier Removal .....	37	Rock Wool Placement .....	45
Dimensions .....	6	Safety Warnings.....	4
Electrical Connection .....	18	Steps for Finalizing the Installation .....	34
Facing Requirements .....	33	Termination Requirements .....	30
Fireplace Placement Requirements .....	11	Top Vent Configuration with Horizontal Termination .....	28
Gas Line Requirements .....	16	Top Vent Configuration with Vertical Termination .....	29
Hearth Requirements .....	31	Top Vent or Rear Vent Configuration .....	8
Heating Specifications.....	6	Vent Requirements .....	20
Installation Options.....	6		
Log Set Installation.....	39		
LP Conversion Instructions .....	46		
Mantel Requirements .....	34		
Rear Vent Configuration with Horizontal Termination (no vertical rise).....	25		